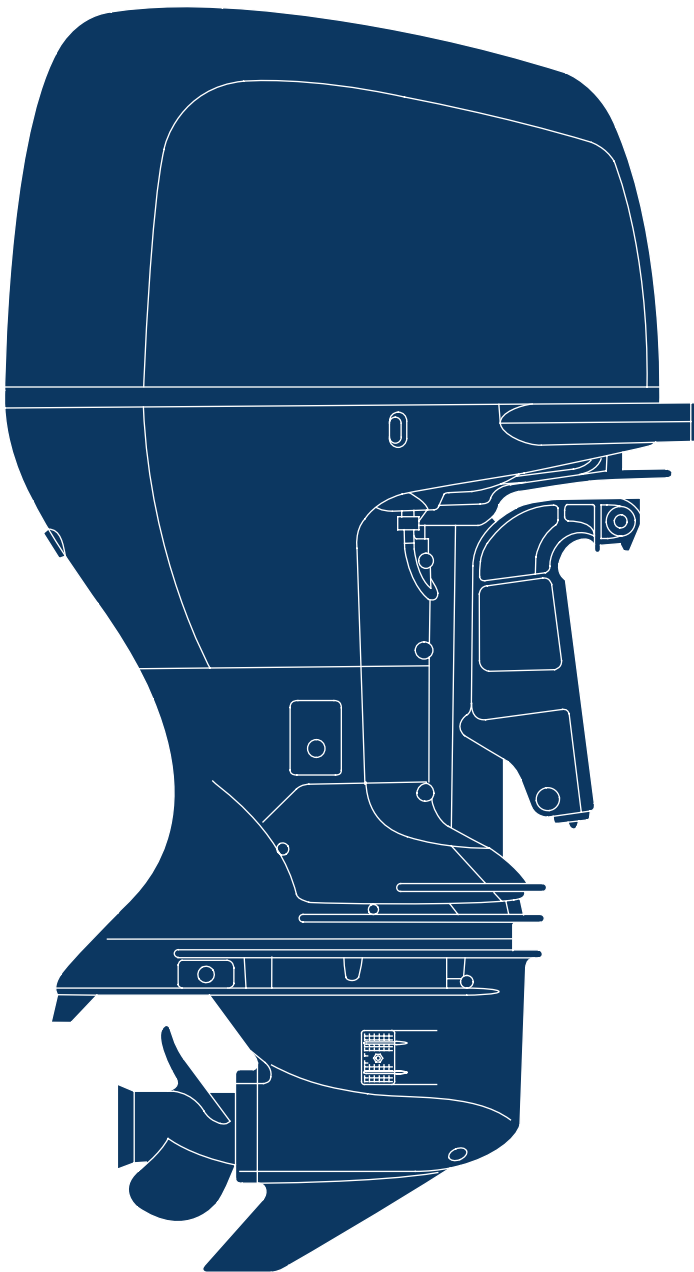


2017 PARTS CATALOG



 TOHATSU



BFT 200A
BFT 225A

OB NO.002-14ZY2-0AG
1610US

Instruction for use of parts catalogue

- **This parts catalogue was prepared based on the latest information available as of October 1, 2016.**
- See the Service Bulletin for any revision that is made after October 1, 2016.
- **Always specify the part number when ordering a part.**
 - Check the model, type, serial numbers, color, maker, and the size as needed before ordering a part.
 - Note that the illustrations (part drawings) can differ from the actual parts in shape.
Illustrations are given just to help you to refer to the parts.
- **When modifications or additions to this parts catalogue are made, a revised edition will be issued at an appropriate time, with successively progressing revision numbers on the cover. We recommend obtaining such revisions in order to keep your parts catalogue up-to-date at all times.**

Initial version issue date October 1, 2016

CONTENTS

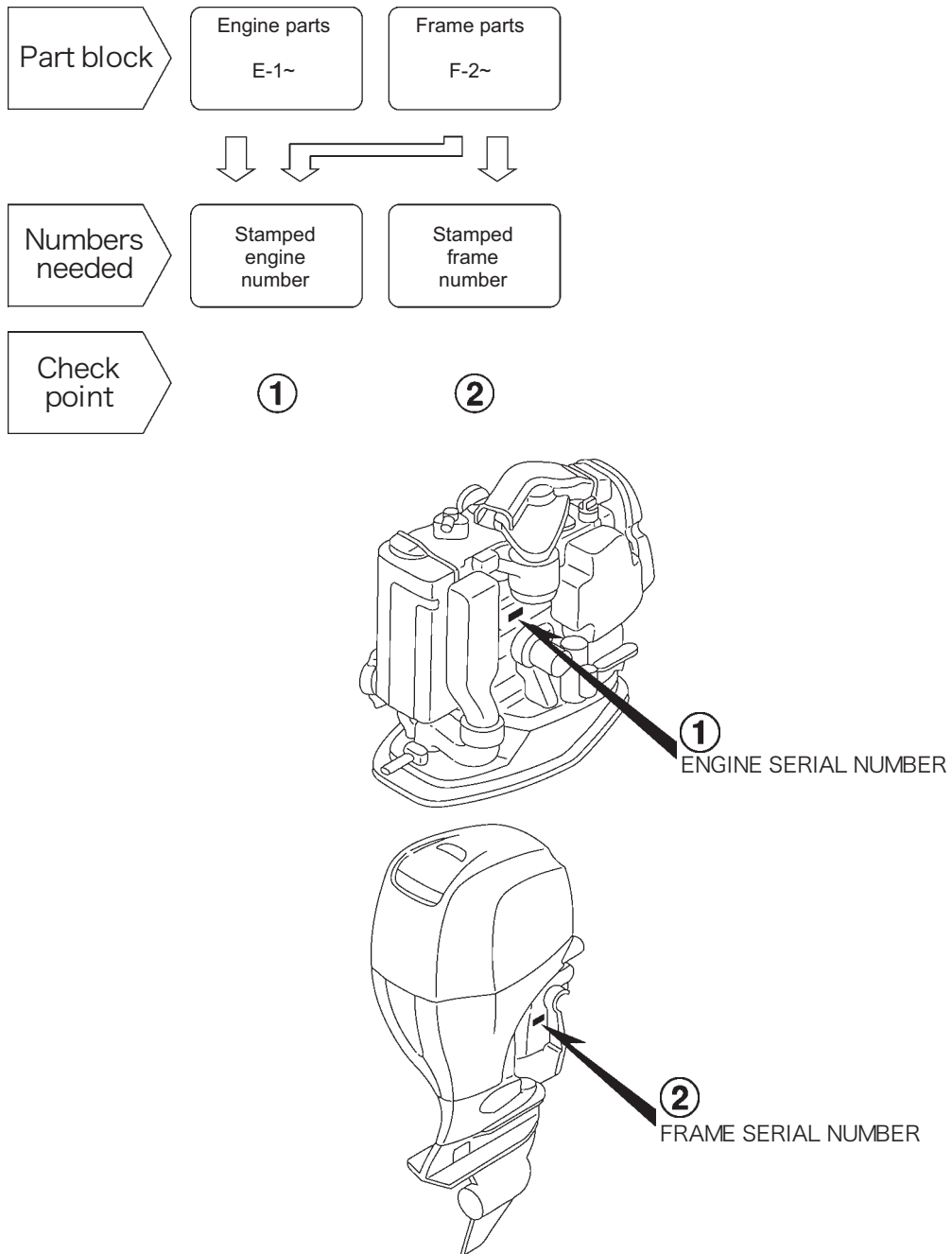
E-1	CYLINDER HEAD COVER	1
E-3	CYLINDER BLOCK	3
E-3-10	CRANKCASE	7
E-4	EXHAUST MANIFOLD/THERMOSTAT	9
E-5	OIL PUMP/FLYWHEEL	11
E-6	OIL PAN	13
E-6-10	MOUNT CASE	15
E-7	CRANKSHAFT/PISTON	19
E-9	CYLINDER HEAD	23
E-9-10	CAMSHAFT/ROCKER ARM	25
E-13	TIMING BELT	27
E-13-10	TIMING BELT COVER	29
E-14	FUEL PIPE/INJECTOR	31
E-14-10	INTAKE MANIFOLD	35
E-15	THROTTLE BODY	37
E-18	VAPOR SEPARATOR ASSY	39
E-18-2	WATER SEPARATOR/FUEL STRAINER	43
E-18-10	PIPING	47
E-19	A.C.GENERATOR	49
E-20	SPARK PLUG	51
E-20-11	ELECTRONIC CONTROL UNIT	53
E-21	STARTER MOTOR	55
F-2	SHIFT SHAFT	57
F-3	GEAR CASE	61
F-3-10	GEAR CASE ASSY	63
F-3-20	EXTENSION CASE	65
F-4	WATER PUMP/VERTICAL SHAFT	71
F-5	PROPELLER SHAFT	75
F-5-1	PROPELLER SHAFT (COUNTER ROTATION)	79
F-6	FUEL TUBE	83
F-7	WIRE HARNESS	85
F-7-11	STARTER CABLE	87
F-7-30	FUSE BOX/RELAY	89
F-8	ENGINE COVER	91
F-8-10	FR.COVER BRACKET/FR.LOCK SHAFT	93
F-8-20	FUEL TUBE (2)	97
F-10	STERN BRACKET/SWIVEL CASE	99
F-11	POWER TRIM-TILT	105
F-12	LABEL	109
F-13	TOOL	111
FOP-2	WATER PUMP IMPELLER SET	113
FOP-3	REMOTE CONTROL (TOP MOUNT SINGLE TYPE) (RIGHT)	115
FOP-3-2	REMOTE CONTROL (TOP MOUNT DUAL TYPE) (RIGHT)	119
FOP-3-4	REMOTE CONTROL (FLUSH MOUNT TYPE) (RIGHT)	123
FOP-3-6	REMOTE CONTROL	125
FOP-3-7	REMOTE CONTROL (NHK MEC) (HANDLE CAP = CHROME)	131
FOP-4	SWITCH PANEL KIT (1)	137
FOP-4-1	SWITCH PANEL KIT (2)	141
FOP-5-1	METER	143
FOP-7	BOLT KIT	145
FOP-9	TRIM ADJUST PLATE SET	147
FOP-10	PROPELLER	149
FOP-12	INTERFACE CABLE KIT	151
INDEX		153
INDEX (Parts Number)		159

Part catalogue structure

Ref.No.	Part No.	Description	Q'ty		Remarks
			MIN	MAX	
E-14-10	1	HCY3-17101-004	1	1	
E-14-10	2	HCY3-17101-004	1	1	
E-14-10	3	HCY3-17110-000	1	1	
E-14-10	4	HCY3-17111-000	1	1	
E-14-10	5	HCY3-17100-002A	1	1	HHH- DARK GRAY
E-14-10	8	HCY3-17133-004	1	1	COVER
E-14-10	7	HMS3-17051-000	1	1	
E-14-10	8	HCY3-0121-000	1	1	
E-14-10	9	HFM3-0140-004	1	1	
E-14-10	10	HCY3-0143-000	1	1	
E-14-10	11	HPR3-0145-000	1	1	
E-14-10	12	HFM3-3130-001	1	1	
E-14-10	13	HPR3-3130-001	1	1	
E-14-10	14	HCY3-0023-000	10	10	
E-14-10	15	HCY3-0023-000	1	1	
E-14-10	16	HCY3-0021-000	1	1	
E-14-10	17	HCY3-0020-000	1	1	
E-14-10	18	HDM3-0150-000	7	7	
E-14-10	19	HCY3-0020-000	2	2	
E-14-10	20	HCD-0001-0040-040	1	1	040-0001-0001-00M
E-14-10	21	HCD-0001-0010-040	1	1	040-0001-0001-00M
E-14-10	22	HCD-0001-0040-040	1	1	040-0001-0001-00M
E-14-10	23	HCD-0001-0030-040	1	1	040-0001-0001-00M
E-14-10	24	HCD-0001-0060-040	1	1	040-0001-0001-00M

- ① Fig. Number
- ② Fig. Title
- ③ Ref. Number
- ④ Parts Number
- ⑤ Parts Name
- ⑥ Q.ty
- ⑦ Remarks
- ⑧ Different specification
- ⑨ Direction Arrow
- ⑩ Parts enclosed within a dotted line are sub assembly parts.
- ⑪ A solid arrow indicates the block No. the part in question is connected to.

How to check the part block and serial numbers



Models, parts catalogue codes and applicable serial numbers

- Models, parts catalogue codes and applicable serial Nos. given in this parts catalogue can be identified as follows.

Model	Type	Parts catalogue type	Engine		Applicable engine serial No.	Applicable frame serial No.
			Model	Type		
BFT 200A	LA	LA	BF 200AK3	SE1	BEAEJ-1300001~	BAEJ-6000051~
	XA	XA				BAEJ-7000004~
	XCA	XCA				
BFT225A	LA	LA	BF 225AK3	SE1	BEAGJ-1300001~	BAGJ-6000083~
	XA	XA				BAGJ-7000013~
	XCA	XCA				

Features of each type

- See the following table for the features of each type. (Items in brackets are optional)

Specifications		Model	BFT 200AK3		
		Type	LA	XA	XCA
Transom height	508 mm		●		
	635 mm			●	●
Gear case cover					●
Trim tab			●	●	
Counter rotation					●

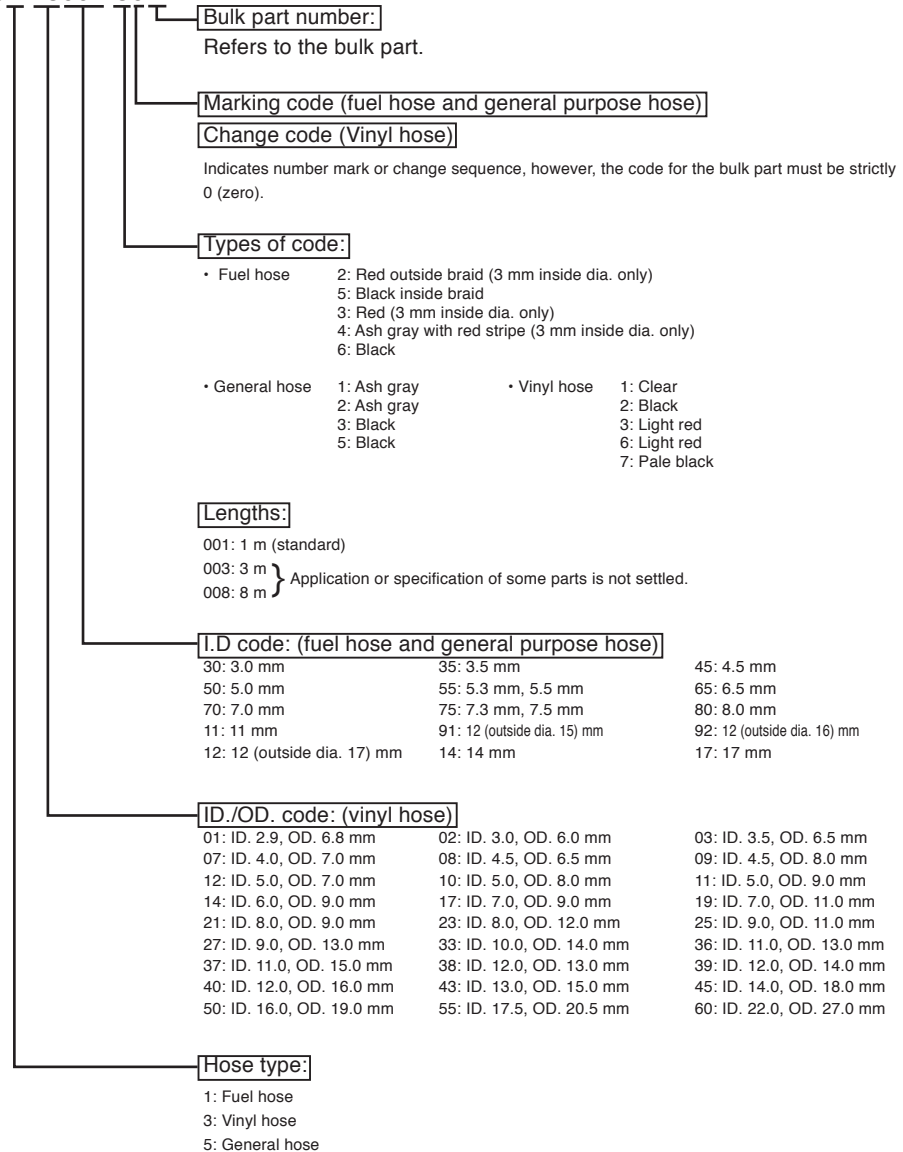
Specifications		Model	BFT 225AK3		
		Type	LA	XA	XCA
Transom height	508 mm		●		
	635 mm			●	●
Gear case cover					●
Trim tab			●	●	
Counter rotation					●

Fuel hose, general purpose hoses and vinyl hose

- The standard part fuel hose, general purpose hose and vinyl hose may be substituted by the coiled bulk part.
- When ordering the standard part fuel hose, general purpose hose and vinyl hose use the bulk part number written in the parts catalog in brackets () underneath the part name.
- When exchanging the hose, cut and use at the specified length as mentioned in the part name. (For the method of cutting the bulk part, and method of filling out orders etc., please refer to the instructions issued with the bulk part.)

Bulk part number of fuel hose, general purpose hose and vinyl hose.

Example: 95001-75001-50M

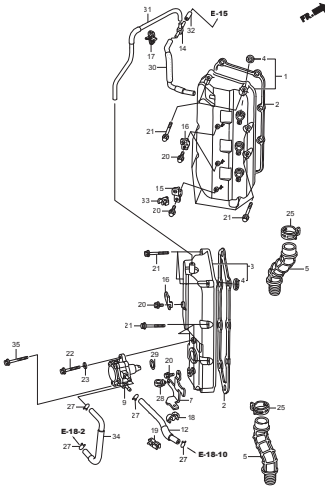


CAUTION: It is DANGEROUS to confuse the fuel hose with the general purpose hose or vinyl hose.

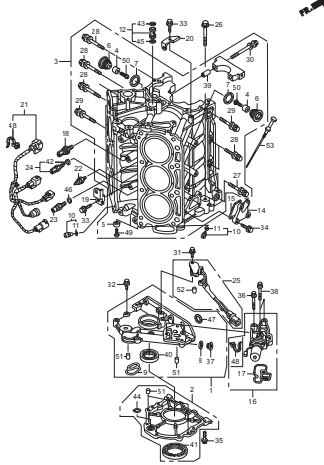
Never use a general purpose hose or vinyl hose in place of a fuel hose or vice versa.

Always use the correct bulk part in the parts catalogue, according to the service manual or the instructions issued with the bulk part.

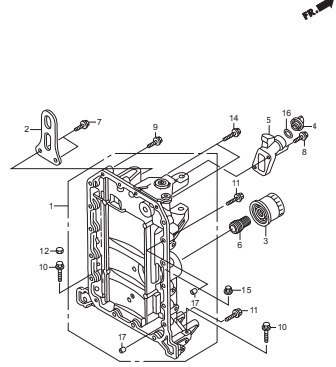
E-1 CYLINDER HEAD COVER



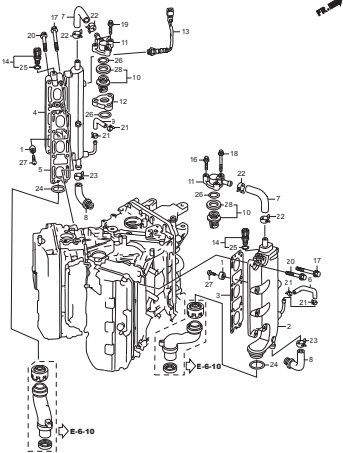
E-3 CYLINDER BLOCK



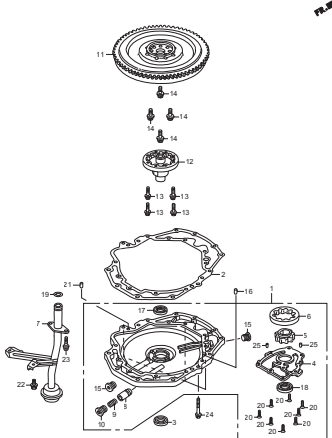
E-3-10 CRANKCASE



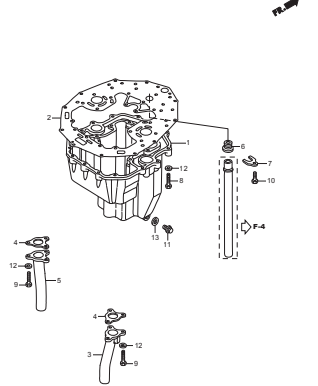
E-4 EXHAUST MANIFOLD/THERMOSTAT



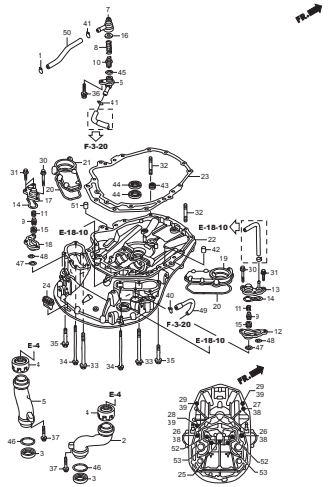
E-5 OIL PUMP/FLYWHEEL



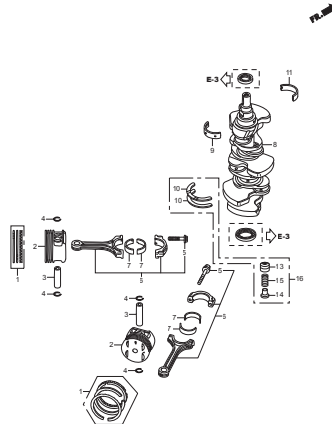
E-6 OIL PAN



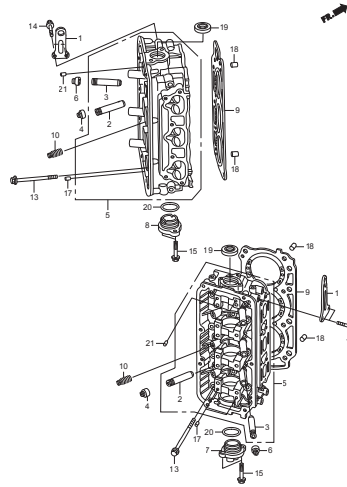
E-6-10 MOUNT CASE



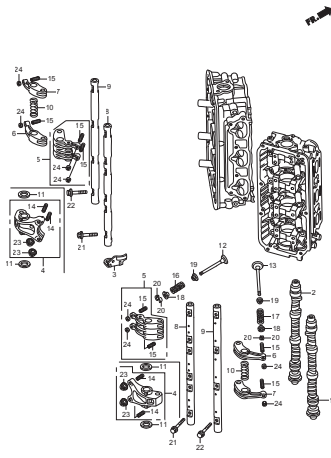
E-7 CRANKSHAFT/PISTON



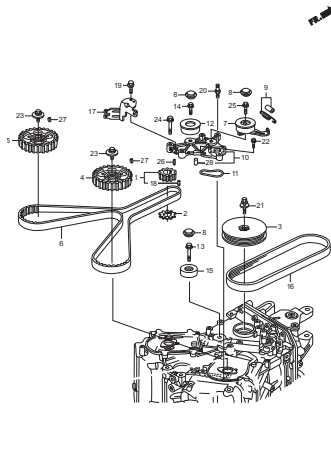
E-9 CYLINDER HEAD



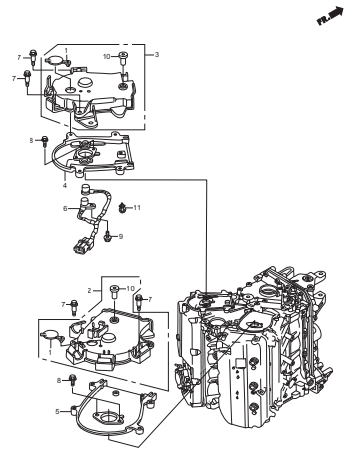
E-9-10 CAMSHAFT/ROCKER ARM



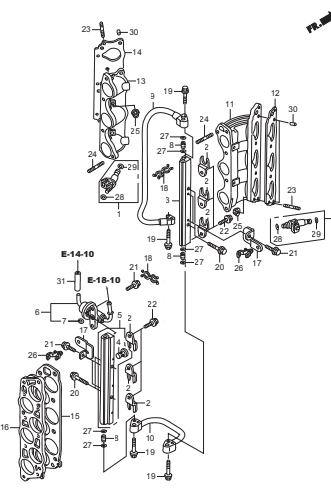
E-13 TIMING BELT



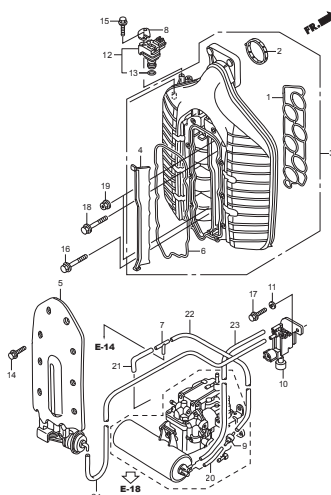
E-13-10 TIMING BELT COVER



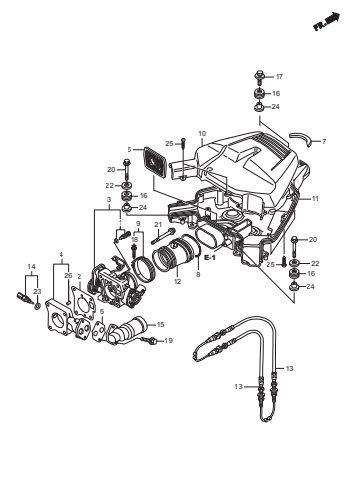
E-14 FUEL PIPE/INJECTOR



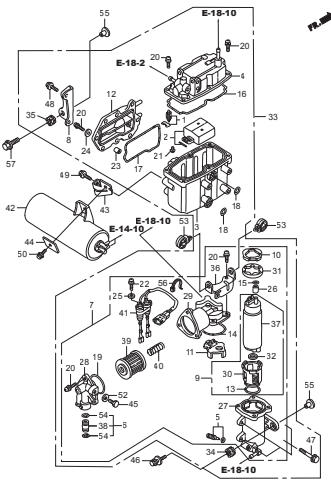
E-14-10 INTAKE MANIFOLD



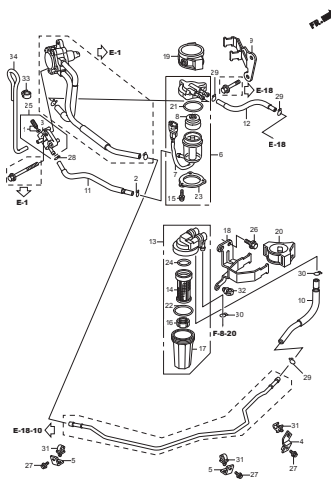
E-15 THROTTLE BODY



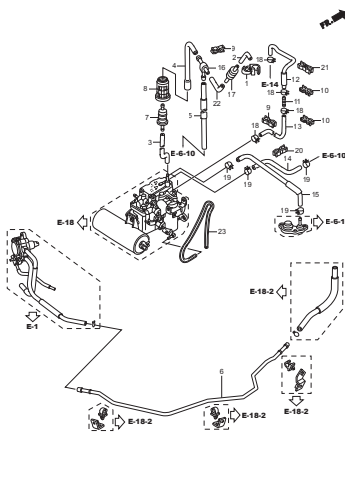
E-18 VAPOR SEPARATOR ASSY



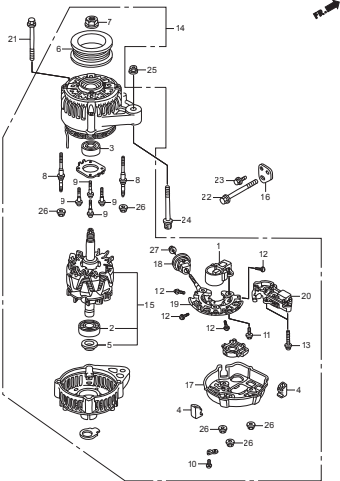
E-18-2 WATER SEPARATOR/FUEL STRAINER



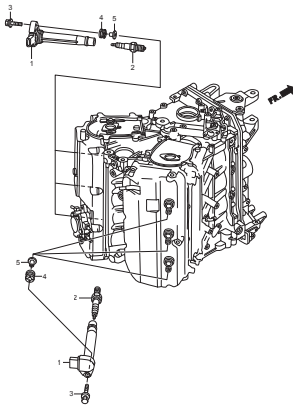
E-18-10 PIPING



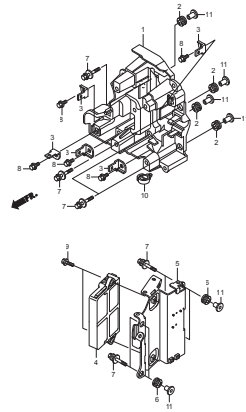
E-19 A.C.GENERATOR



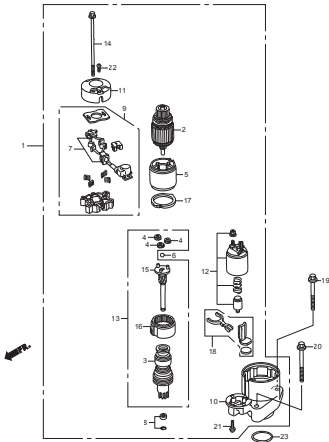
E-20 SPARK PLUG



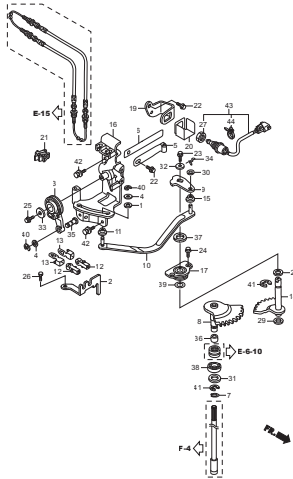
E-20-11 ELECTRONIC CONTROL UNIT



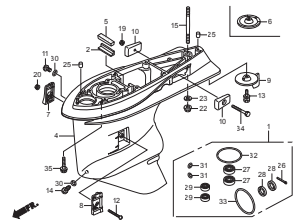
E-21 STARTER MOTOR



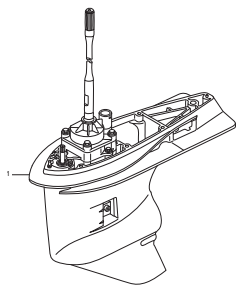
F-2 SHIFT SHAFT



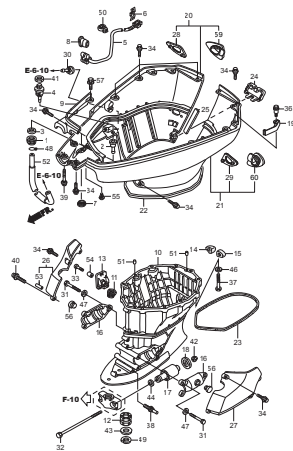
F-3 GEAR CASE



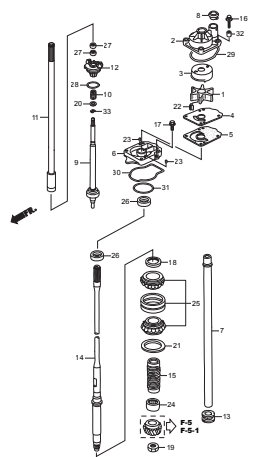
F-3-10 GEAR CASE ASSY



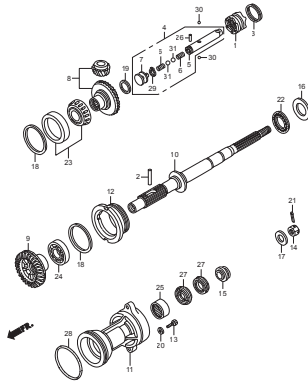
F-3-20 EXTENSION CASE



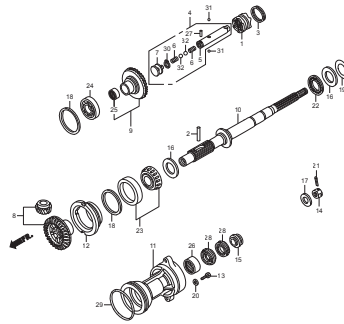
F-4 WATER PUMP/VERTICAL SHAFT



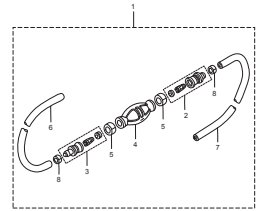
F-5 PROPELLER SHAFT



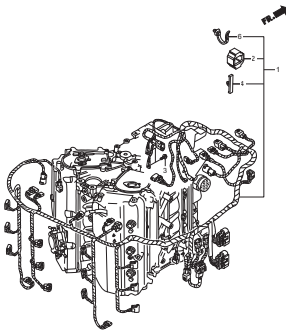
F-5-1 PROPELLER SHAFT (COUNTER ROTATION)



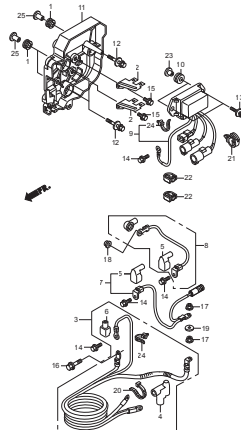
F-6 FUEL TUBE



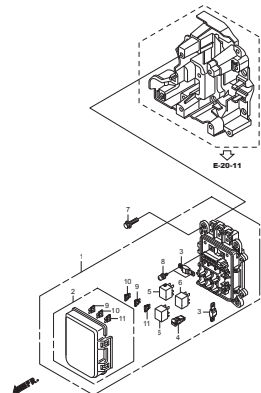
F-7 WIRE HARNESS



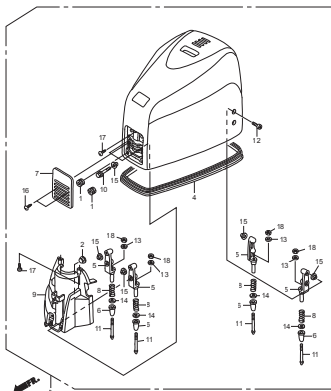
F-7-11 STARTER CABLE



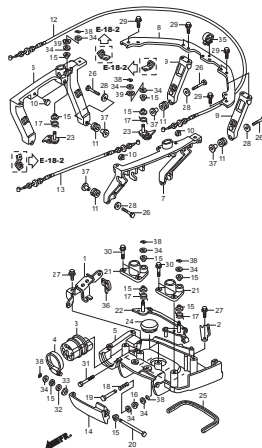
F-7-30 FUSE BOX/RELAY



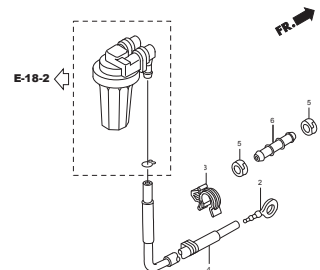
F-8 ENGINE COVER



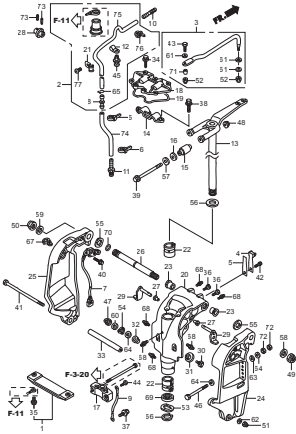
F-8-10 FR.COVER BRACKET/FRLOCK SHAFT



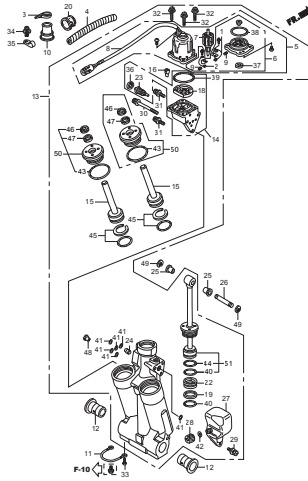
F-8-20 FUEL TUBE (2)



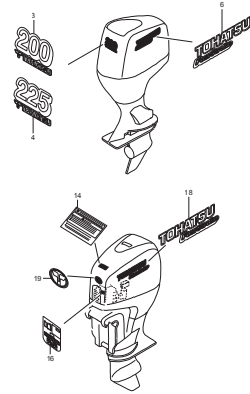
F-10 STERN BRACKET/SWIVEL CASE



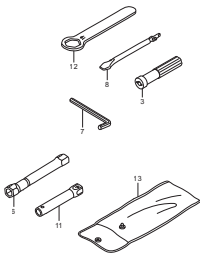
F-11 POWER TRIM-TILT



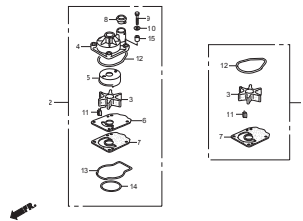
F-12 LABEL



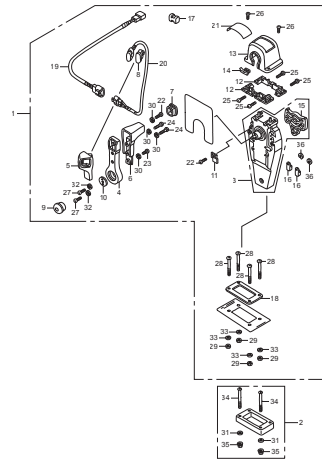
F-13 TOOL



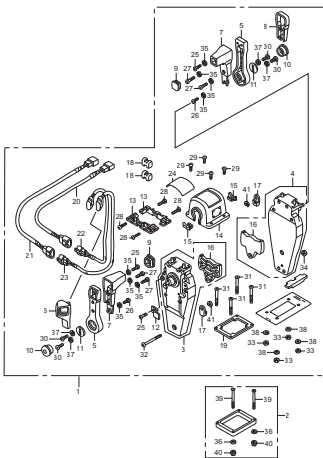
FOP-2 WATER PUMP IMPELLER SET



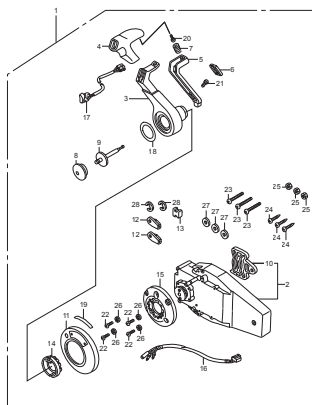
FOP-3 REMOTE CONTROL (TOP MOUNT SINGLE TYPE) (RIGHT)



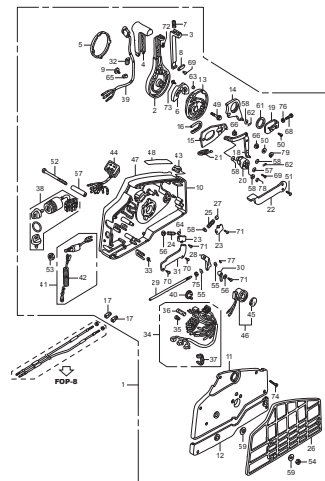
FOP-3-2 REMOTE CONTROL (TOP MOUNT DUAL TYPE) (RIGHT)



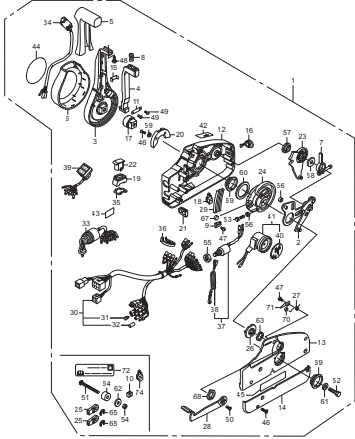
FOP-3-4 REMOTE CONTROL (FLUSH MOUNT TYPE) (RIGHT)



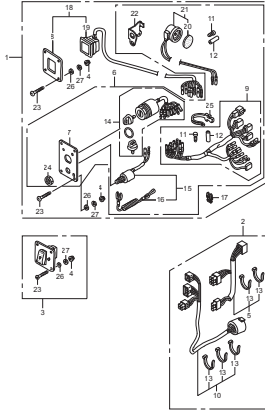
FOP-3-6 REMOTE CONTROL



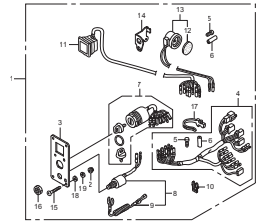
FOP-3-7 REMOTE CONTROL
(NHK MEC)(HANDLE CAP = CHROME)



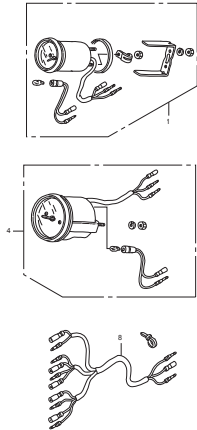
FOP-4 SWITCH PANEL KIT (1)



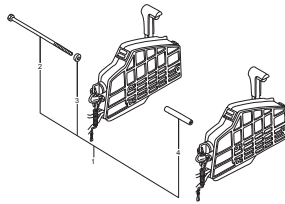
FOP-4-1 SWITCH PANEL KIT (2)



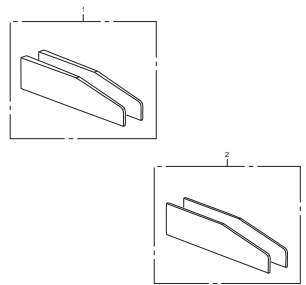
FOP-5-1 METER



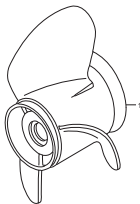
FOP-7 BOLT KIT



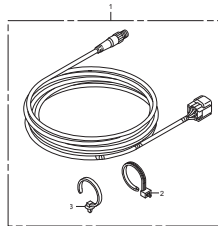
FOP-9 TRIM ADJUST PLATE SET



FOR-10 PROPELLER



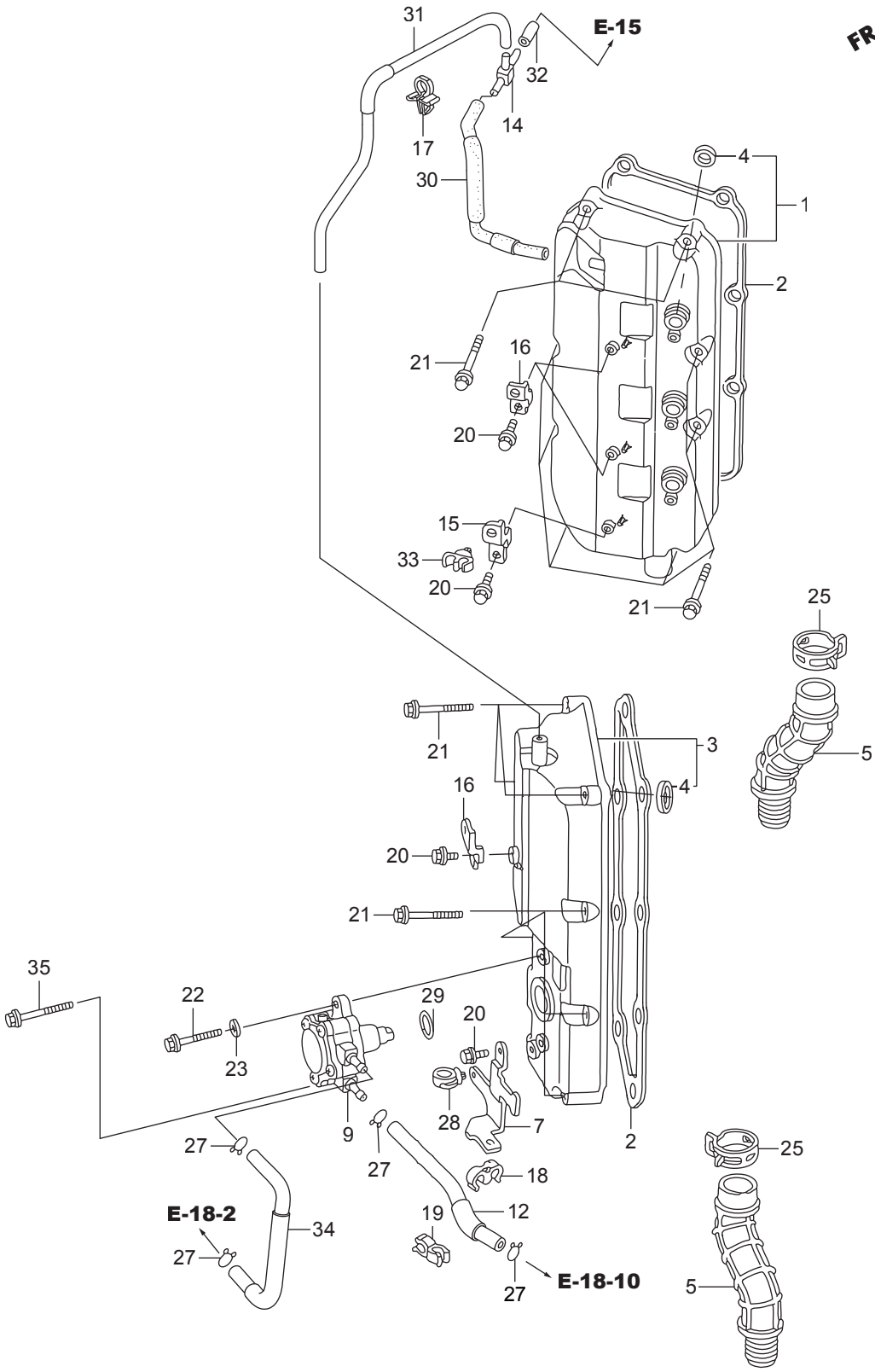
FOP-12 INTERFACE CABLE KIT



E-1

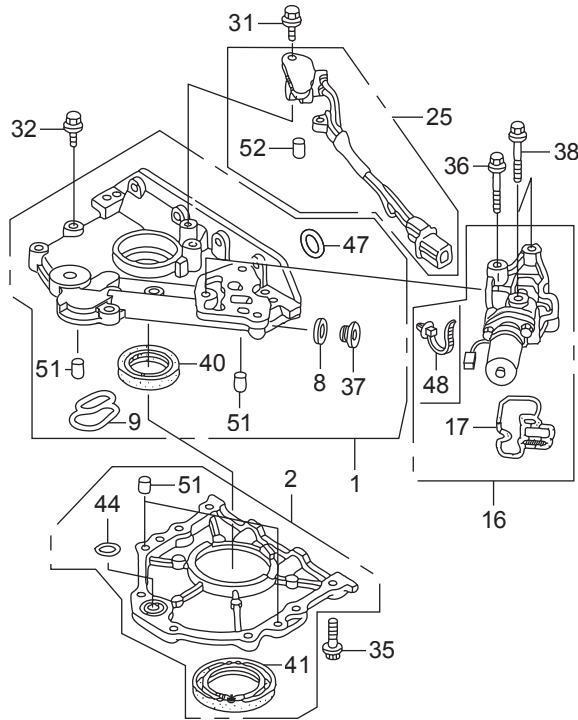
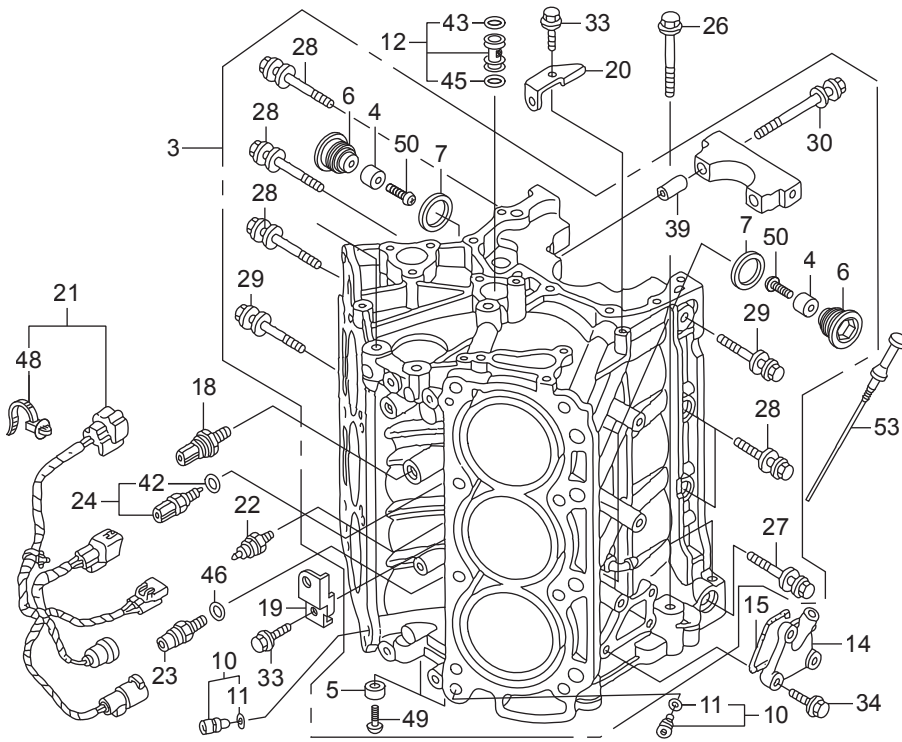
CYLINDER HEAD COVER

FR. 



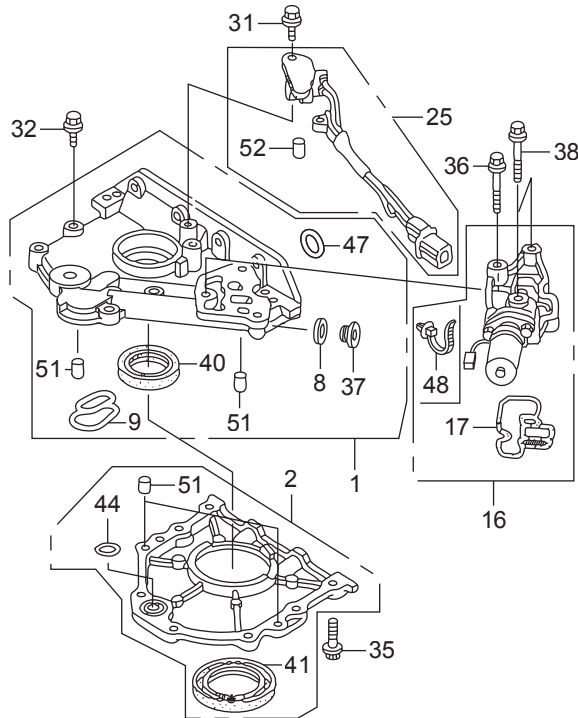
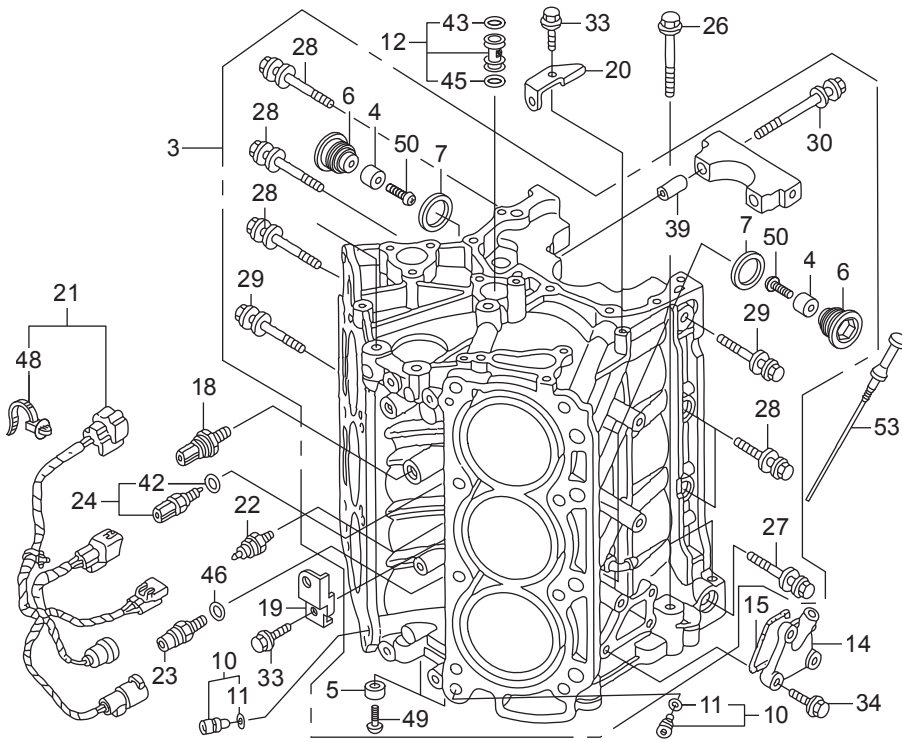
Ref.No.	Part No.	Description	Q' ty		Remarks	
			BFT200A	BFT225A		
E-1	1	HZY3-12310-405ZA	COVER, R. CYLINDER HEAD	1	1	*NH8* DARK GRAY
E-1	2	HZY3-12312-000	PACKING, HEAD COVER	2	2	
E-1	3	HZY3-12320-405ZA	COVER, L. CYLINDER HEAD	1	1	*NH8* DARK GRAY
E-1	4	HP08-12342-004	SEAL, SPARK PLUG TUBE(NOK)	6	6	
E-1	5	HZY3-15425-010	TUBE, OIL	2	2	
E-1	7	HZY3-16203-000	BRACKET, SOLENOID VALVE	1	1	
E-1	9	HZX2-16700-003	PUMP ASSY., FUEL	1	1	
E-1	12	HZY3-16895-C00	TUBE COMP. G, FUEL	1	1	
E-1	14	HMT2-17193-000	T-JOINT	1	1	
E-1	15	HZW9-32114-730	BRACKET, CLIP B	1	1	
E-1	16	HZY3-32129-000	BRACKET C, HARNESS CLIP	3	3	
E-1	17	HHE0-50310-003	CLIP A, WIRE	1	1	
E-1	18	HSE0-53740-953	CLIP, SENSOR HOSE	1	1	
E-1	19	HSD9-54316-013	CLIP, SHIFT WIRE	1	1	
E-1	20	HZW9-90011-000	BOLT, FLANGE, 6X14(CT200)	5	5	
E-1	21	HZW9-90019-000	BOLT, FLANGE, 6X35	16	16	
E-1	22	HZY3-90036-000	BOLT, FLANGE, 8X32	1	1	
E-1	23	HZY3-90406-000	WASHER, PLAIN, 8MM	1	1	
E-1	25	HZY3-90602-020	CLAMP, TUBE(D32.5)	2	2	
E-1	27	HZV0-90604-000	CLIP, TUBE(B12)	4	4	
E-1	28	HZB7-90691-003	CLIP, HARNESS	1	1	
E-1	29	HKT7-91305-003	O-RING, 37X2.4(ARAI)	1	1	
E-1	30	HZY3-91401-A00	TUBE COMP. A, BREATHER	1	1	
E-1	31	HZY3-91402-020	TUBE B, BREATHER	1	1	
E-1	32	HZY3-91403-000	TUBE C, BREATHER	1	1	
E-1	33	HSK7-91566-003	CLIP D, WASHER TUBE	1	1	
E-1	34	HZX2-16870-C00	TUBE COMP., FUEL(C)	1	1	
E-1	35	HZW4-90126-000	BOLT, FLANGE, 8X45	1	1	

FR. 



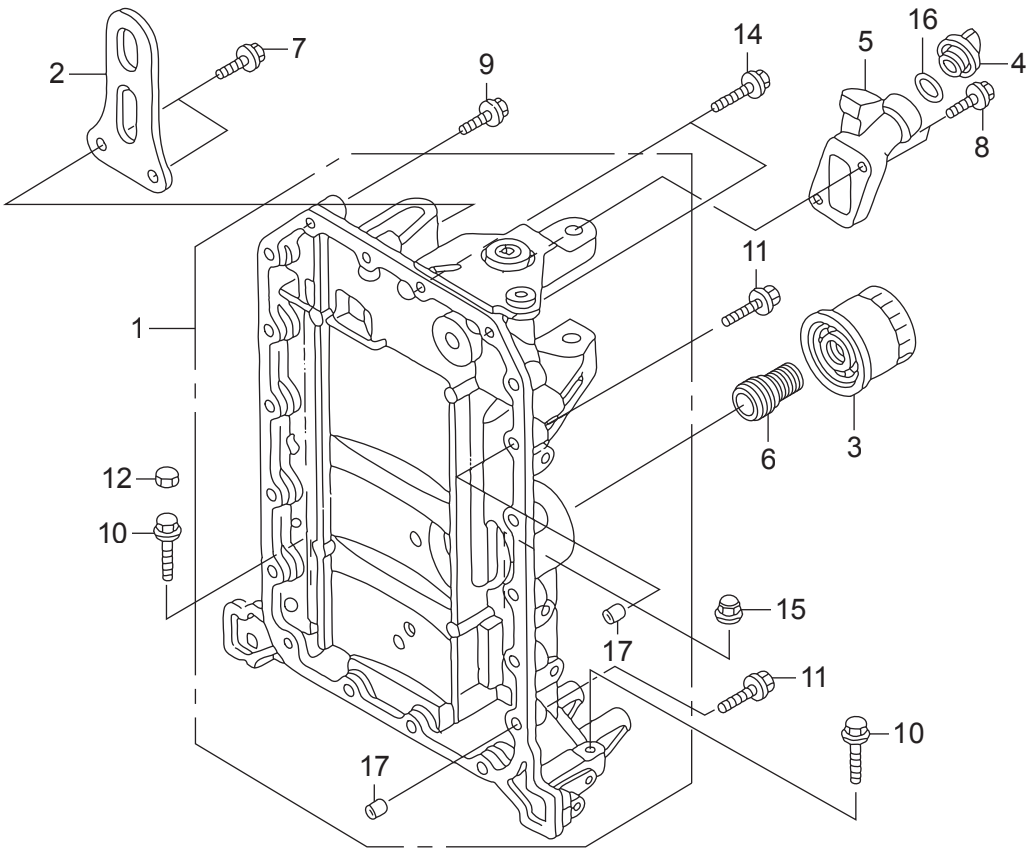
Ref.No.	Part No.	Description	Q' ty		Remarks	
			BFT200A	BFT225A		
E-3	1	HZY3-11200-010ZA	COVER ASSY., CRANKCASE UPPER	1	1	*NH8* DARK GRAY
E-3	2	HZY3-11300-C00	CASE ASSY., OIL SEAL	1	1	
E-3	3	HZY3-12000-436ZA	BLOCK ASSY., CYLINDER	1	1	*NH8* DARK GRAY
E-3	4	HZV4-12155-A00	METAL, ANODE	6	6	
E-3	5	HZY3-12155-000	METAL, ANODE	2	2	
E-3	6	HZY3-12164-000	BOLT, SEALING, 22MM	6	6	
E-3	7	HZY3-12171-305	WASHER, SEALING, 22MM	6	6	
E-3	8	HZV5-12214-000	WASHER, SEALING(22MM)	1	1	
E-3	9	HP8A-15115-A01	PACKING, OIL HOLE	1	1	
E-3	10	HP8A-15140-A00	ORIFICE ASSY., OIL CONTROL	2	2	
E-3	11	HP8A-15142-A00	O-RING, 8.8X2.4	2	2	
E-3	12	HP8A-15150-A00	JOINT ASSY., OIL PIPE	1	1	
E-3	14	HZY3-15656-000	COVER, OIL LEVEL GAUGE	1	1	
E-3	15	HZY3-15657-000	PACKING, OIL LEVEL GAUGE	1	1	
E-3	16	HZY2-15810-000ZA	VALVE ASSY., SPOOL	1		*NH8* DARK GRAY
E-3	16	HZY3-15810-003ZA	VALVE ASSY., SPOOL		1	*NH8* DARK GRAY
E-3	17	HZY2-15825-000	FILTER ASSY., SPOOL VALVE	1		
E-3	17	HZY3-15825-003	FILTER ASSY., SPOOL VALVE		1	
E-3	18	HRNA-30530-A01	SENSOR COMP., KNOCK	1	1	
E-3	19	HZW9-32114-730	BRACKET, CLIP B	1	1	
E-3	20	HZY3-32116-000	BRACKET B, HARNESS CLIP	1	1	
E-3	21	HZY3-32193-C00	CORD, SWITCH	1	1	
E-3	22	HZW9-35490-003	SWITCH ASSY., OIL PRESSURE	1	1	
E-3	23	HZY3-35490-004	SWITCH ASSY., OIL PRESSURE	1	1	
E-3	24	HZY3-35673-003	SENSOR ASSY., WATER	1	1	TEMPERATURE
E-3	25	HZY3-35700-003	SENSOR ASSY., CRANK	1	1	
E-3	26	HZY3-90001-000	BOLT, FLANGE, 12X95	2	2	
E-3	27	HZY3-90006-003	BOLT-WASHER, 10X109	1	1	
E-3	28	HZY3-90008-003	BOLT-WASHER, 10X60	5	5	

FR. 

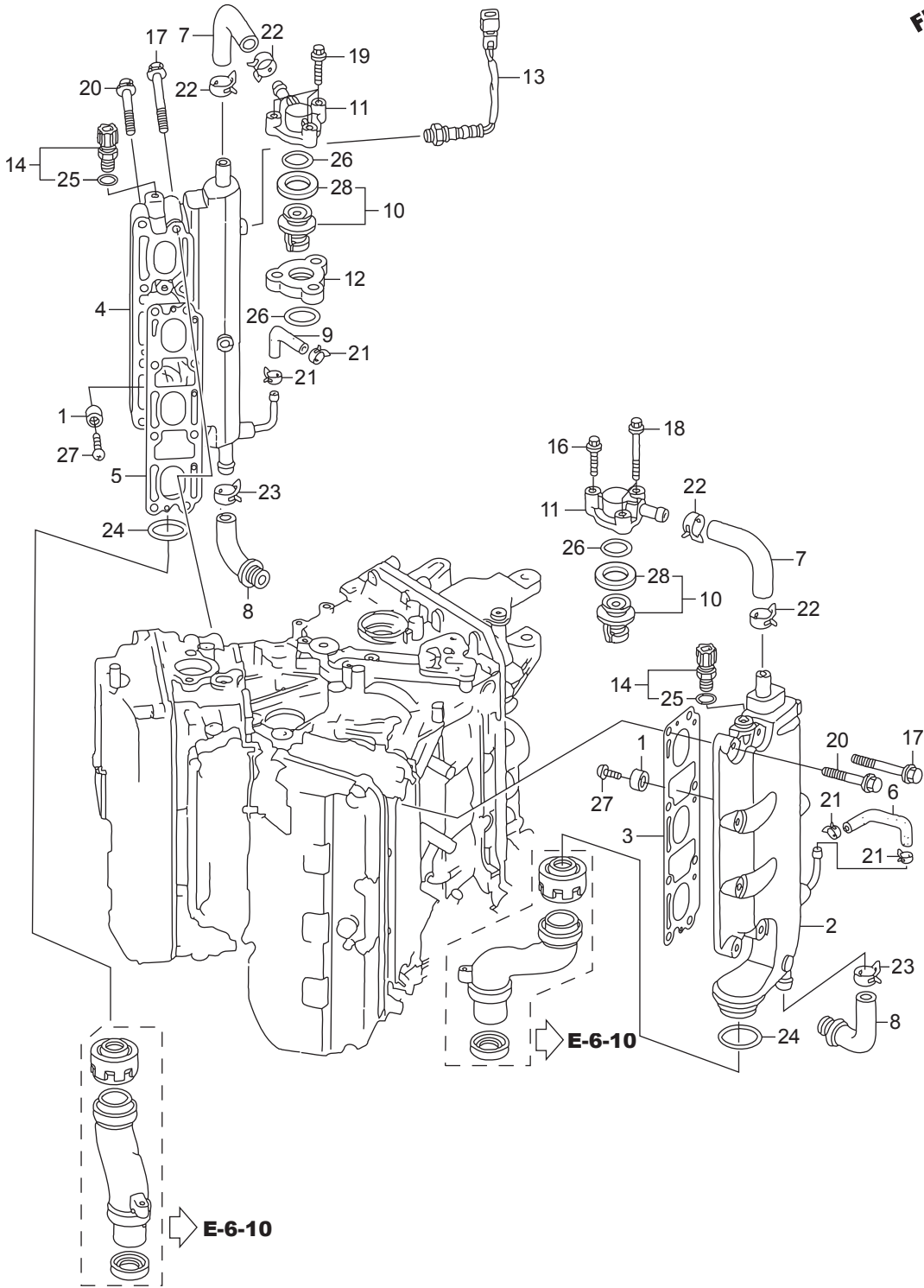


Ref.No.	Part No.	Description	Q' ty		Remarks	
			BFT200A	BFT225A		
E-3	29	HZY3-90009-003	BOLT-WASHER, 10X80	2	2	
E-3	30	HRCA-90014-A01	BOLT-WASHER, 11X105	8	8	
E-3	31	HZY3-90017-000	BOLT, FLANGE, 6X16	1	1	
E-3	32	HZW9-90019-000	BOLT, FLANGE, 6X35	7	7	
E-3	33	HZY3-90021-000	BOLT, FLANGE, 6X14	2	2	
E-3	34	HZY3-90028-000	BOLT, FLANGE, 6X18	4	4	
E-3	35	HZY3-90030-000	BOLT, FLANGE, 6X22	8	8	
E-3	36	HZY3-90038-000	BOLT, FLANGE, 8X75	1	1	
E-3	37	HZV5-90081-010	BOLT, SEALING, 22MM	1	1	
E-3	38	HZW4-90156-000	BOLT, FLANGE, 8X50	2	2	
E-3	39	HPH7-90715-000	DOWEL PIN, 13X37	8	8	
E-3	40	HZY3-91212-003	OIL SEAL, 41X66X8	1	1	
E-3	41	HPNA-91214-014	OIL SEAL, 80X98X10(ARAI)	1	1	
E-3	42	HPNA-91307-003	O-RING, 9.5X1.9	1	1	
E-3	43	HP8A-91308-A01	O-RING, 18.3X3.5	1	1	
E-3	44	HPK1-91308-003	O-RING, 26.2X2.4(NOK)	1	1	
E-3	45	HP8A-91309-A01	O-RING, 16.3X3.5	1	1	
E-3	46	HPR3-91319-003	O-RING, 13X1.5(ARAI)	1	1	
E-3	47	HP0X-91321-003	O-RING, 25X2.4(NOK)	1	1	
E-3	48	HS0A-91541-003	CLIP, HARNESS BAND(BLACK)	1	2	(145MM)
E-3	49	HCO-93500-05016-4J	SCREW, PAN, 5X16	2	2	
E-3	50	HCO-93500-05020-4J	SCREW, PAN, 5X20	6	6	
E-3	51	HCO-94301-06100	DOWEL PIN, 6X10	4	4	
E-3	52	HCO-94303-05080	DOWEL PIN, 5X8	1	1	
E-3	53	HZX2-15655-000	GAUGE COMP., OIL LEVEL	1	1	

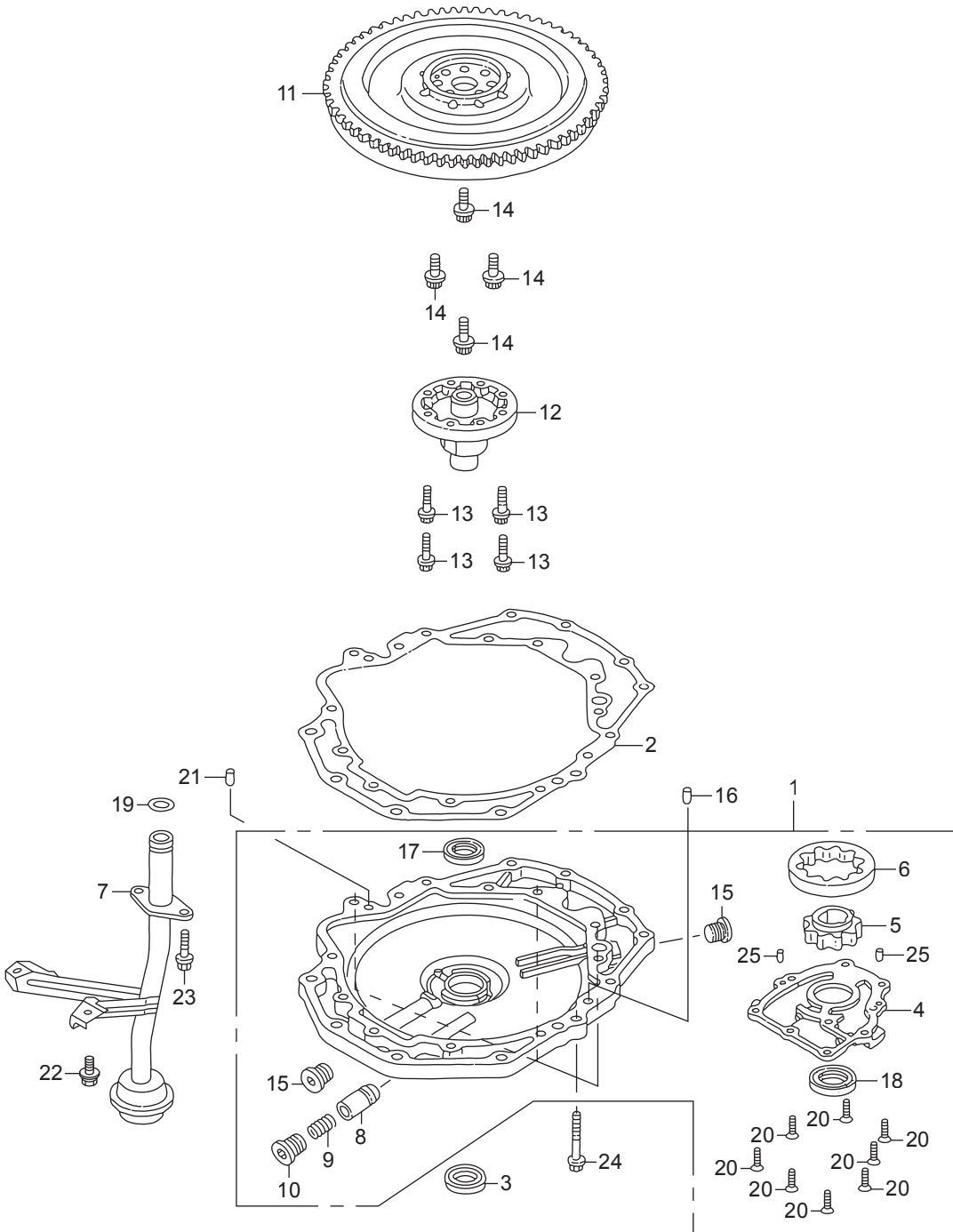
FR. 



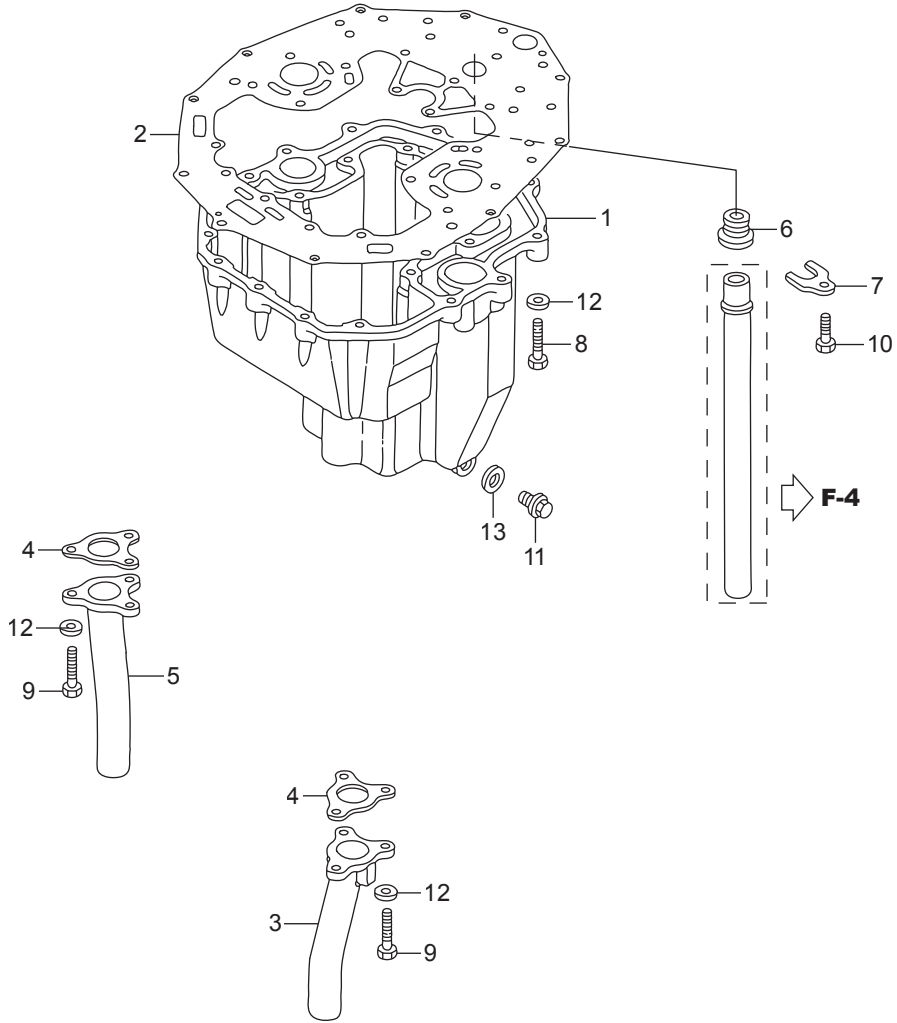
FR. 



Ref.No.	Part No.	Description	Q' ty		Remarks	
			BFT200A	BFT225A		
E-4	1	HZV5-12155-000	METAL, ANODE	4	4	
E-4	2	HZY3-18110-010ZA	MANIFOLD COMP., R. EX.	1	1	*NH8* DARK GRAY
E-4	3	HZY3-18115-003	GASKET, R. EX. MANIFOLD	1	1	
E-4	4	HZY3-18120-C01ZA	MANIFOLD COMP., L. EX.	1	1	*NH8* DARK GRAY
E-4	5	HZY3-18125-003	GASKET, L. EX. MANIFOLD	1	1	
E-4	6	HZY3-19255-000	TUBE, R. WATER RETURN	1	1	
E-4	7	HZY3-19256-010	TUBE, WATER RELIEF	2	2	
E-4	8	HZY3-19257-000	TUBE, WATER	2	2	
E-4	9	HZY3-19261-000	TUBE, L. WATER RETURN	1	1	
E-4	10	HZY3-19300-023	THERMOSTAT ASSY.	2	2	
E-4	11	HZY3-19315-020ZA	COVER, THERMOSTAT	2	2	*NH8* DARK GRAY
E-4	12	HZY3-19319-A00ZA	SPACER, THERMOSTAT	1	1	*NH8* DARK GRAY
E-4	13	HZY3-35655-C01	SENSOR, OXYGEN	1	1	
E-4	14	HZY3-35673-003	SENSOR ASSY., WATER	2	2	TEMPERATURE
E-4	16	HZW9-90019-000	BOLT, FLANGE, 6X35	1	1	
E-4	17	HZY3-90027-000	BOLT, FLANGE, 8X60	8	8	
E-4	18	HZY3-90034-000	BOLT, FLANGE, 6X60	2	2	
E-4	19	HZW4-90146-000	BOLT, FLANGE, 6X50	3	3	
E-4	20	HZW4-90155-000	BOLT, FLANGE, 8X40	8	8	
E-4	21	HZY3-90601-030	CLAMP, TUBE(D10.5)	4	4	
E-4	22	HZY3-90603-020	CLAMP, TUBE(D29)	4	4	
E-4	23	HZY3-90604-020	CLAMP, TUBE(D21)	2	2	
E-4	24	HZY3-91301-003	O-RING, 66.4X3.1	2	2	
E-4	25	HPNA-91307-003	O-RING, 9.5X1.9	2	2	
E-4	26	HSD4-91356-952	O-RING, 31.5X2.4(ARAI)	3	3	
E-4	27	HCO-93500-06018-4J	SCREW, PAN, 6X18	4	4	
E-4	28	HZW9-19303-003	RUBBER, RING	2	2	

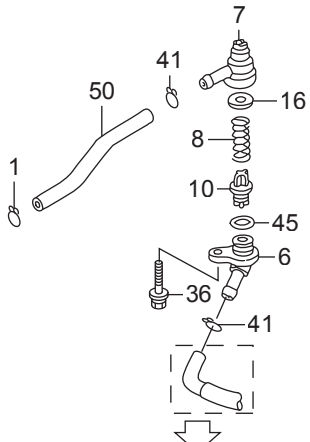


Ref.No.	Part No.	Description	Q' ty		Remarks	
			BFT200A	BFT225A		
E-5	1	HZY3-15100-000ZA	PUMP ASSY., OIL	1	1	*NH8* DARK GRAY
E-5	2	HZY3-15112-013	PACKING, OIL PUMP BODY	1	1	
E-5	3	HZY3-15113-000	RUBBER, OIL PUMP	1	1	
E-5	4	HZY3-15121-000	COVER, OIL PUMP	1	1	
E-5	5	HZY3-15131-405	ROTOR, OIL PUMP INNER	1	1	
E-5	6	HZY3-15132-405	ROTOR, OIL PUMP OUTER	1	1	
E-5	7	HZY3-15220-020	STRAINER COMP., OIL	1	1	
E-5	8	HPE0-15231-000	VALVE, RELIEF	1	1	
E-5	9	HPG6-15232-000	SPRING, RELIEF VALVE	1	1	
E-5	10	HPC6-15233-000	BOLT, SEALING, 18MM	1	1	
E-5	11	HZY3-31110-000ZA	FLYWHEEL COMP.	1	1	*TBLACK* BLACK
E-5	12	HZY3-31116-000	BOSS, FLYWHEEL	1	1	
E-5	13	HZW5-90002-013	BOLT, SPECIAL, 8MM	8	8	
E-5	14	HPH3-90011-000	BOLT, FLANGE, 12MM	8	8	
E-5	15	HZV5-90081-010	BOLT, SEALING, 22MM	2	2	
E-5	16	HPW5-90701-000	DOWEL PIN, 14X15	1	1	
E-5	17	HZW5-91201-003	OIL SEAL, 46X60X9	1	1	
E-5	18	HP01-91212-003	OIL SEAL, 31X46X7(NOK)	1	1	
E-5	19	HPC6-91324-000	O-RING, 20.6X2.6	1	1	
E-5	20	HCO-93600-06016-0A	SCREW, FLAT, 6X16	8	8	
E-5	21	HCO-94302-10160	PIN B, DOWEL, 10X16	1	1	
E-5	22	HCO-95701-06014-09	BOLT, FLANGE, 6X14	2	2	
E-5	23	HCO-95701-06018-09	BOLT, FLANGE, 6X18	2	2	
E-5	24	HCO-95701-08030-09	BOLT, FLANGE, 8X30	4	4	
E-5	25	HCO-96220-50080	ROLLER, 5X8	2	2	

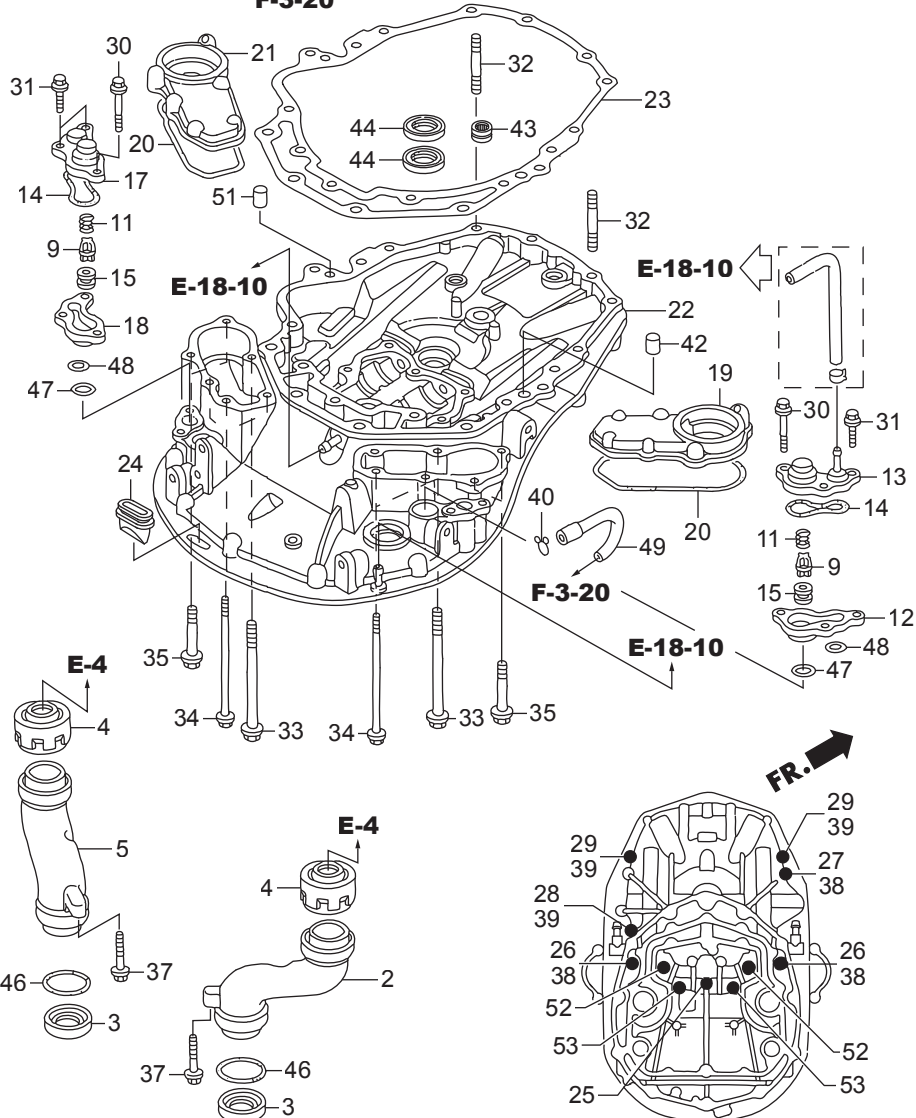


E-6-10

MOUNT CASE



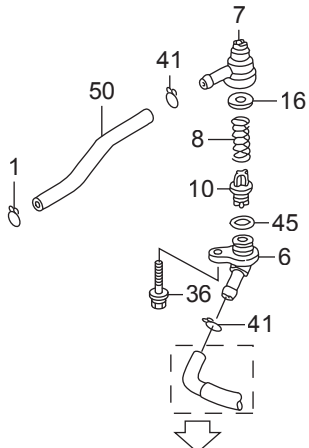
F-3-20



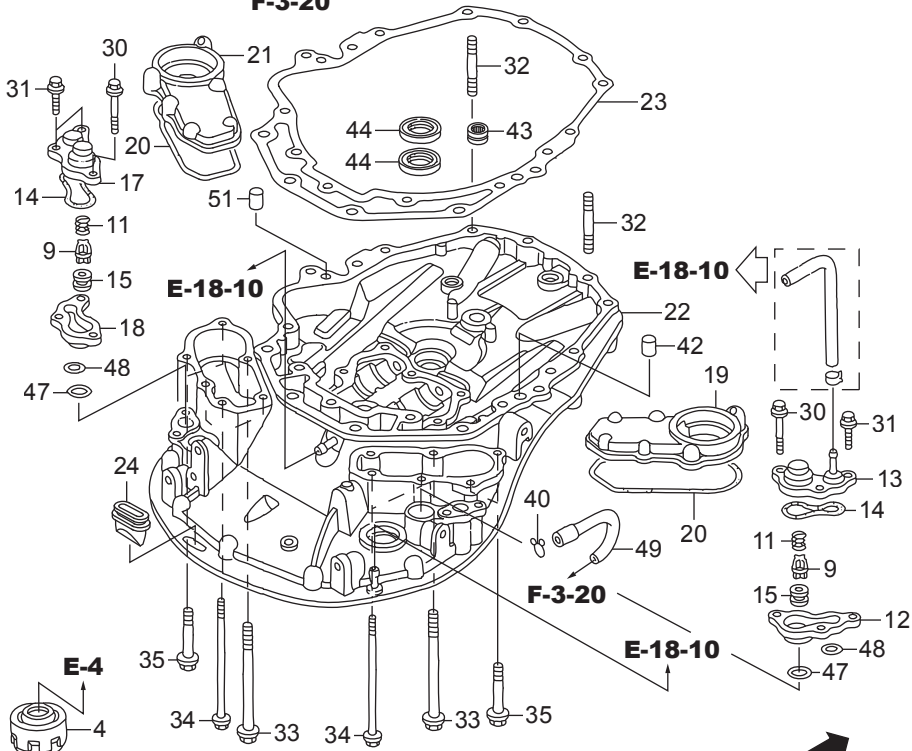
Ref.No.	Part No.	Description	Q' ty		Remarks	
			BFT200A	BFT225A		
E-6-10	1	HGHB-16163-610	CLIP, TUBE	1	1	
E-6-10	2	HZY3-18141-A00ZA	GUIDE, R. EX.	1	1	*TGRAY* GRAY
E-6-10	3	HZY3-18148-003	SEAL, EXHAUST GUIDE	2	2	
E-6-10	4	HZY3-18149-A01	SEAL B, EX. GUIDE	2	2	
E-6-10	5	HZY3-18151-A00ZA	GUIDE, L. EX.	1	1	*TGRAY* GRAY
E-6-10	6	HZY3-19277-000ZA	COVER, FLUSH VALVE	1	1	*NH8* DARK GRAY
E-6-10	7	HZY3-19278-000	CASE, FLUSH VALVE	1	1	
E-6-10	8	HZW9-19279-000	SPRING, FLUSH VALVE	1	1	
E-6-10	9	HZW5-19291-000	VALVE, RELIEF	2	2	
E-6-10	10	HZW9-19291-000	VALVE, FLASH	1	1	
E-6-10	11	HZW5-19292-000	SPRING, RELIEF VALVE	2	2	
E-6-10	12	HZY3-19294-000ZB	SPACER, R. RELIEF VALVE	1	1	*TGRAY* GRAY
E-6-10	13	HZY3-19295-000	COVER, R. RELIEF VALVE	1	1	
E-6-10	14	HZY3-19296-000	PACKING, RELIEF VALVE COVER	2	2	
E-6-10	15	HZW5-19297-000	PACKING, RELIEF VALVE	2	2	
E-6-10	16	HZW9-19297-000	PACKING, FLASH VALVE	1	1	
E-6-10	17	HZY3-19297-000	COVER, L. RELIEF VALVE	1	1	
E-6-10	18	HZY3-19298-000ZB	SPACER, L. RELIEF VALVE	1	1	*TGRAY* GRAY
E-6-10	19	HZY3-19361-000	COVER, R. WATER JACKET	1	1	
E-6-10	20	HZY3-19362-000	PACKING, WATER JACKET COVER	2	2	
E-6-10	21	HZY3-19366-000	COVER, L. WATER JACKET	1	1	
E-6-10	22	HZY3-23170-030ZA	CASE COMP., MOUNT	1	1	*NH8* DARK GRAY
E-6-10	23	HZY3-23172-003	GASKET, MOUNT CASE	1	1	
E-6-10	24	HZY3-23173-010	RUBBER, MOUNT CASE SEAL	1	1	
E-6-10	25	H371-90009-015	BOLT, FLANGE, 10X120(SATO)	1	1	
E-6-10	26	HZY3-90010-000	BOLT, HEX., 12X120	2	2	
E-6-10	27	HZY3-90011-000	BOLT, HEX., 12X65	1	1	
E-6-10	28	HZY3-90013-000	BOLT, HEX., 10X85	1	1	
E-6-10	29	HZY3-90015-000	BOLT, HEX., 10X60	2	2	

E-6-10

MOUNT CASE



F-3-20



E-18-10

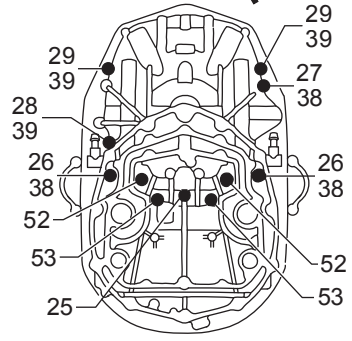
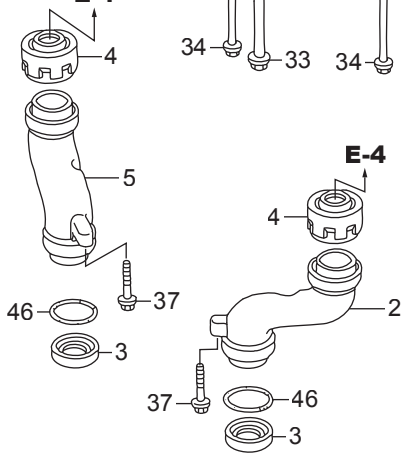
E-18-10

F-3-20

E-18-10

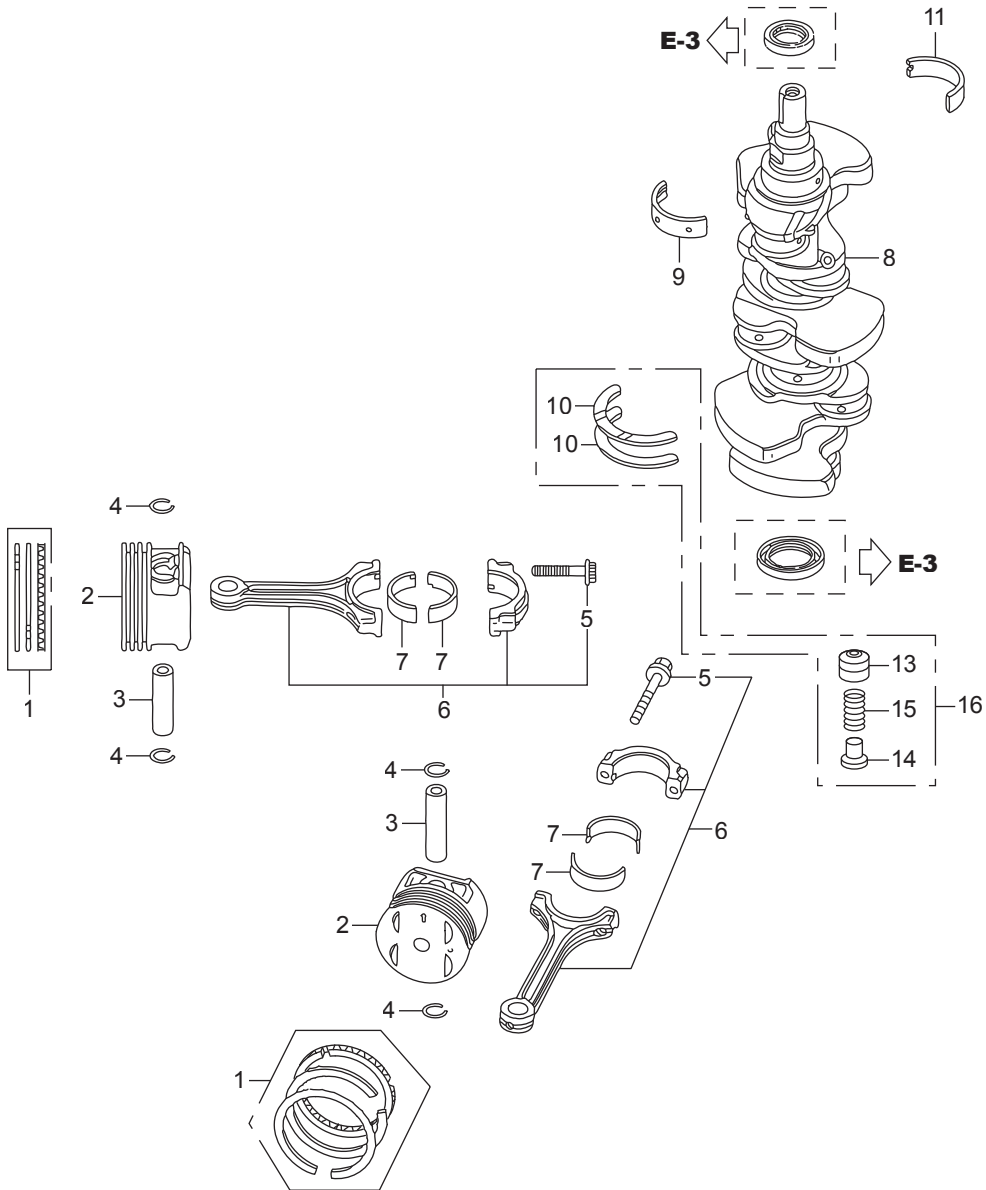
E-4

E-4



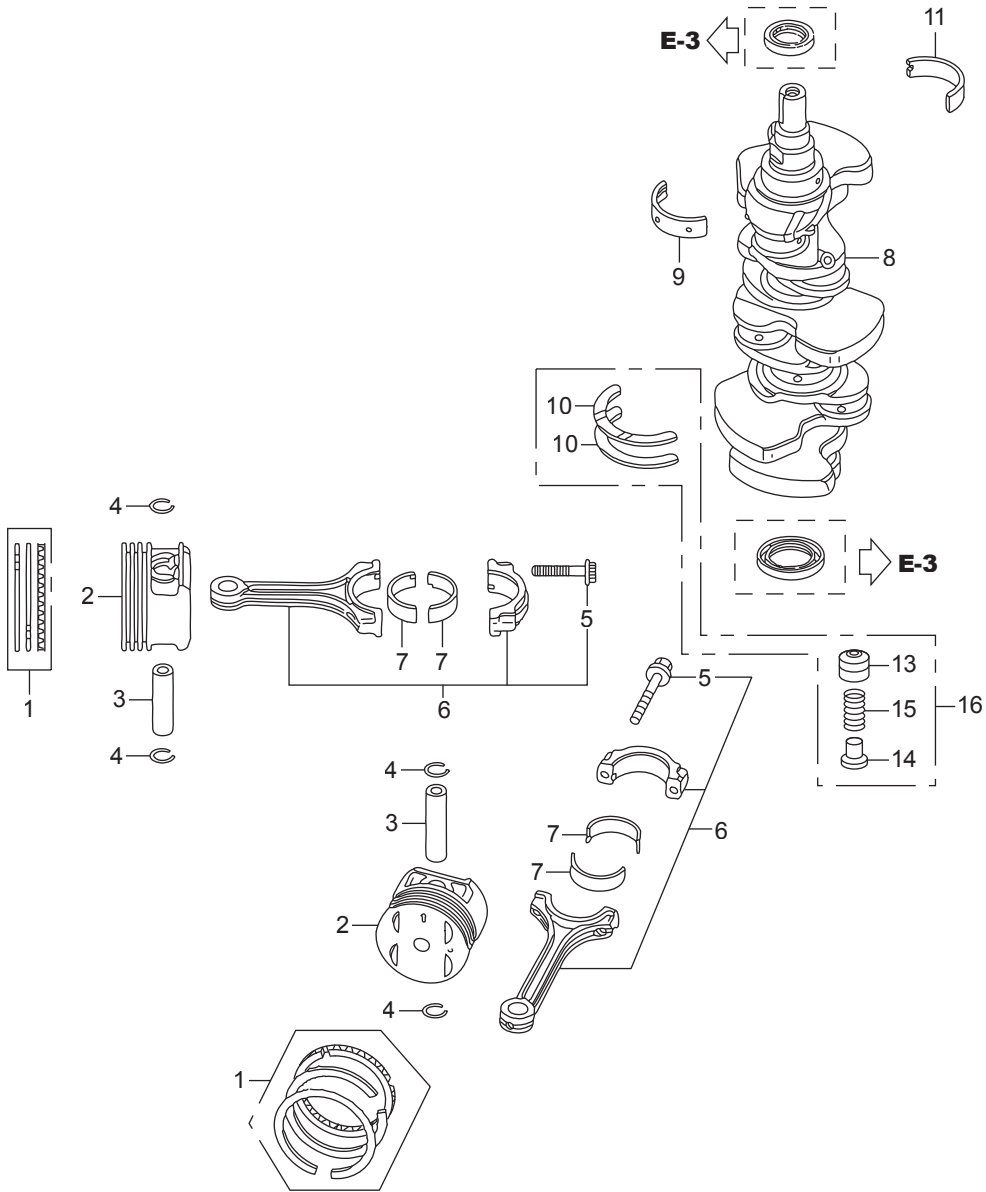
Ref.No.	Part No.	Description	Q' ty		Remarks	
			BFT200A	BFT225A		
E-6-10	30	HZY3-90030-000	BOLT, FLANGE, 6X22	2	2	
E-6-10	31	HZY3-90031-000	BOLT, FLANGE, 6X32	4	4	
E-6-10	32	HZY3-90045-000	BOLT, STUD, 10X45	2	2	
E-6-10	33	HZY3-90046-000	BOLT, FLANGE, 8X100	2	2	
E-6-10	34	HZY3-90047-000	BOLT, WASHER, 6X121	6	6	
E-6-10	35	HZY3-90049-000	BOLT, FLANGE, 8X30	4	4	
E-6-10	36	HZY3-90059-000	BOLT-WASHER, 6X29	1	1	
E-6-10	37	HHW1-90207-671	BOLT, FLANGE, 6X40	2	2	
E-6-10	38	HZV5-90559-000	WASHER, PLAIN, 12MM	3	3	
E-6-10	39	HZV5-90563-000	WASHER, PLAIN, 10MM	3	3	
E-6-10	40	HZV4-90603-000	CLIP, TUBE(B10)	1	1	
E-6-10	41	HZV4-90605-000	CLIP, TUBE(B12.5)	2	2	
E-6-10	42	HPW5-90701-000	DOWEL PIN, 14X15	1	1	
E-6-10	43	HZY3-91001-003	BEARING, NEEDLE, 20X28X13	1	1	(SOLID)
E-6-10	44	HZW5-91202-003	SEAL, WATER, 22X35X7	2	2	
E-6-10	45	H800-91303-000	O-RING, 16MM	1	1	
E-6-10	46	HZY3-91304-000	O-RING, 49.4X3.1	2	2	
E-6-10	47	HZY3-91305-003	O-RING, 33.5X2	2	2	
E-6-10	48	HZY3-91306-003	O-RING, 23.5X2	2	2	
E-6-10	49	HZY3-91404-000	TUBE, WATER CHECK	1	1	
E-6-10	50	HZY3-91405-000	TUBE, FLUSH VALVE	1	1	
E-6-10	51	HCO-94302-10160	PIN B, DOWEL, 10X16	1	1	
E-6-10	52	HCO-95701-10070-09	BOLT, FLANGE, 10X70	2	2	
E-6-10	53	HCO-95701-12120-09	BOLT, FLANGE, 12X120	2	2	

FR. 

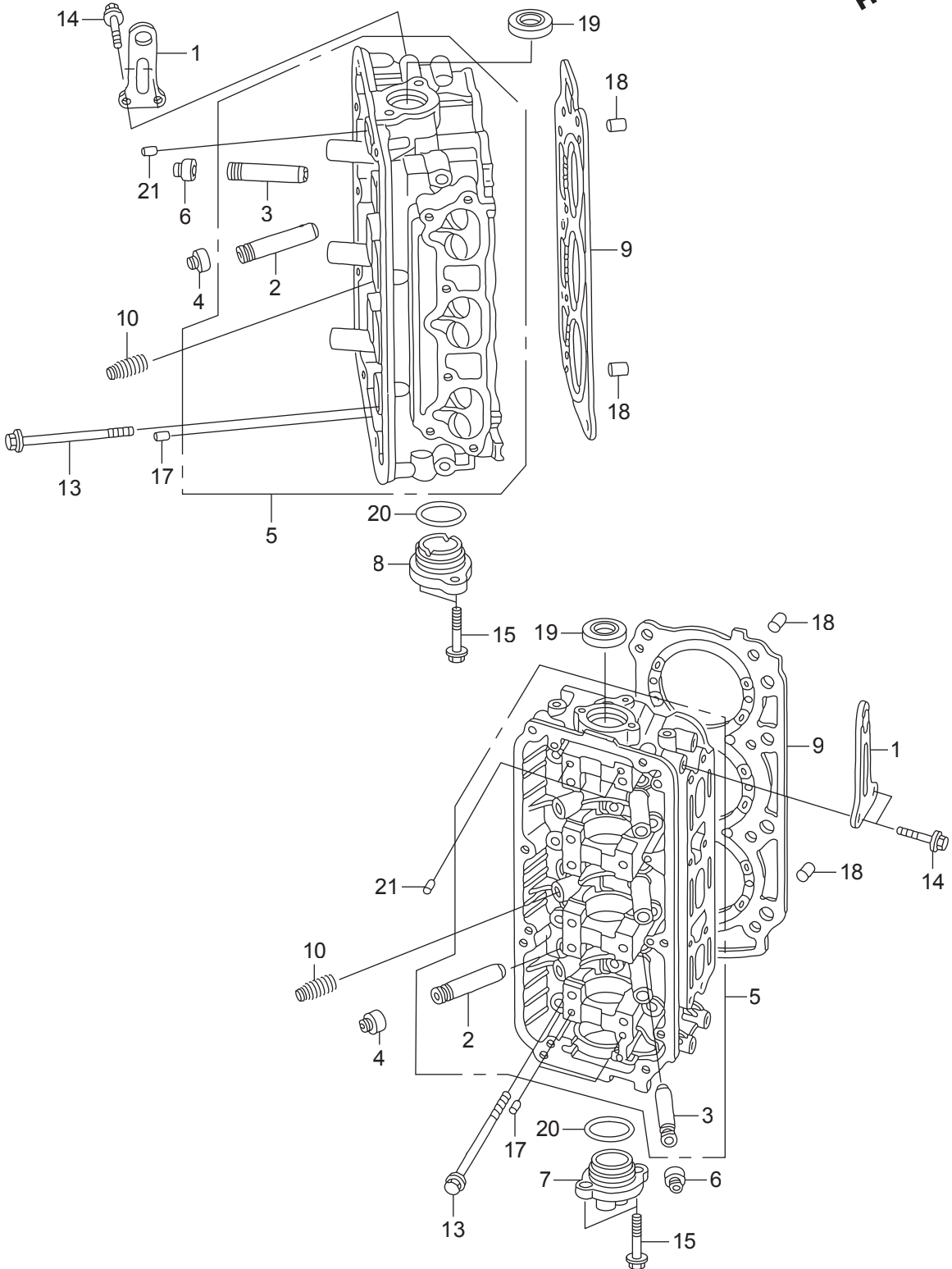


Ref.No.	Part No.	Description	Q'ty		Remarks	
			BFT200A	BFT225A		
E-7	1	HZY3-13010-A00	RING SET, PISTON(STD.)	6	6	
E-7	1	HZY3-13011-A00	RING SET, PISTON(0.25)	6	6	
E-7	2	HZY3-13101-A00	PISTON	6	6	
E-7	2	HZY3-13102-A00	PISTON(0.25)	6	6	
E-7	3	HPEA-13111-000	PIN, PISTON	6	6	
E-7	4	HP5A-13115-000	CLIP, PISTON PIN	12	12	
E-7	5	HP8A-13204-A01	BOLT, CONNECTING ROD	12	12	
E-7	6	HR70-13210-A10	ROD COMP., CONNECTING	6	6	
E-7	7	HP8F-13211-A11	BEARING A, CONNECTING ROD	12	12	(BLACK)(TAIHO)
E-7	7	HP8F-13212-A11	BEARING B, CONNECTING ROD	12	12	(BROWN)(TAIHO)
E-7	7	HP8F-13213-A11	BEARING C, CONNECTING ROD	12	12	(GREEN)(TAIHO)
E-7	7	HP8F-13214-A11	BEARING D, CONNECTING ROD	12	12	(YELLOW)(TAIHO)
E-7	7	HP8F-13215-A11	BEARING E, CONNECTING ROD	12	12	(PINK)(TAIHO)
E-7	8	HRGL-13310-A00	CRANKSHAFT COMP.	1	1	
E-7	9	HP8A-13321-A01	BEARING A, MAIN UPPER(BLACK)	4	4	(DAIDO)
E-7	9	HP8A-13322-A01	BEARING B, MAIN UPPER(BROWN)	4	4	(DAIDO)
E-7	9	HP8A-13323-A01	BEARING C, MAIN UPPER(GREEN)	4	4	(DAIDO)
E-7	9	HP8A-13324-A01	BEARING D, MAIN UPPER(YELLOW)	4	4	(DAIDO)
E-7	9	HP8A-13325-A01	BEARING E, MAIN UPPER(PINK)	4	4	(DAIDO)
E-7	9	HP8A-13326-A01	BEARING F, MAIN UPPER(RED)	4	4	(DAIDO)
E-7	10	HZY3-13331-A04	WASHER, THRUST	2		#1300393~ #6000037~
E-7	10	HZY3-13331-A04	WASHER, THRUST		2	#1300972~ #6000070~
E-7	11	HP8A-13341-A01	BEARING A, MAIN LOWER(BLACK)	4	4	(DAIDO)
E-7	11	HP8A-13342-A01	BEARING B, MAIN LOWER(BROWN)	4	4	(DAIDO)
E-7	11	HP8A-13343-A01	BEARING C, MAIN LOWER(GREEN)	4	4	(DAIDO)
E-7	11	HP8A-13344-A01	BEARING D, MAIN LOWER(YELLOW)	4	4	(DAIDO)
E-7	11	HP8A-13345-A01	BEARING E, MAIN LOWER(PINK)	4	4	(DAIDO)
E-7	11	HP8A-13346-A01	BEARING F, MAIN LOWER(RED)	4	4	(DAIDO)
E-7	13	HZY3-13391-000	RETAINER, SPRING	1		#1300393~ #6000037~

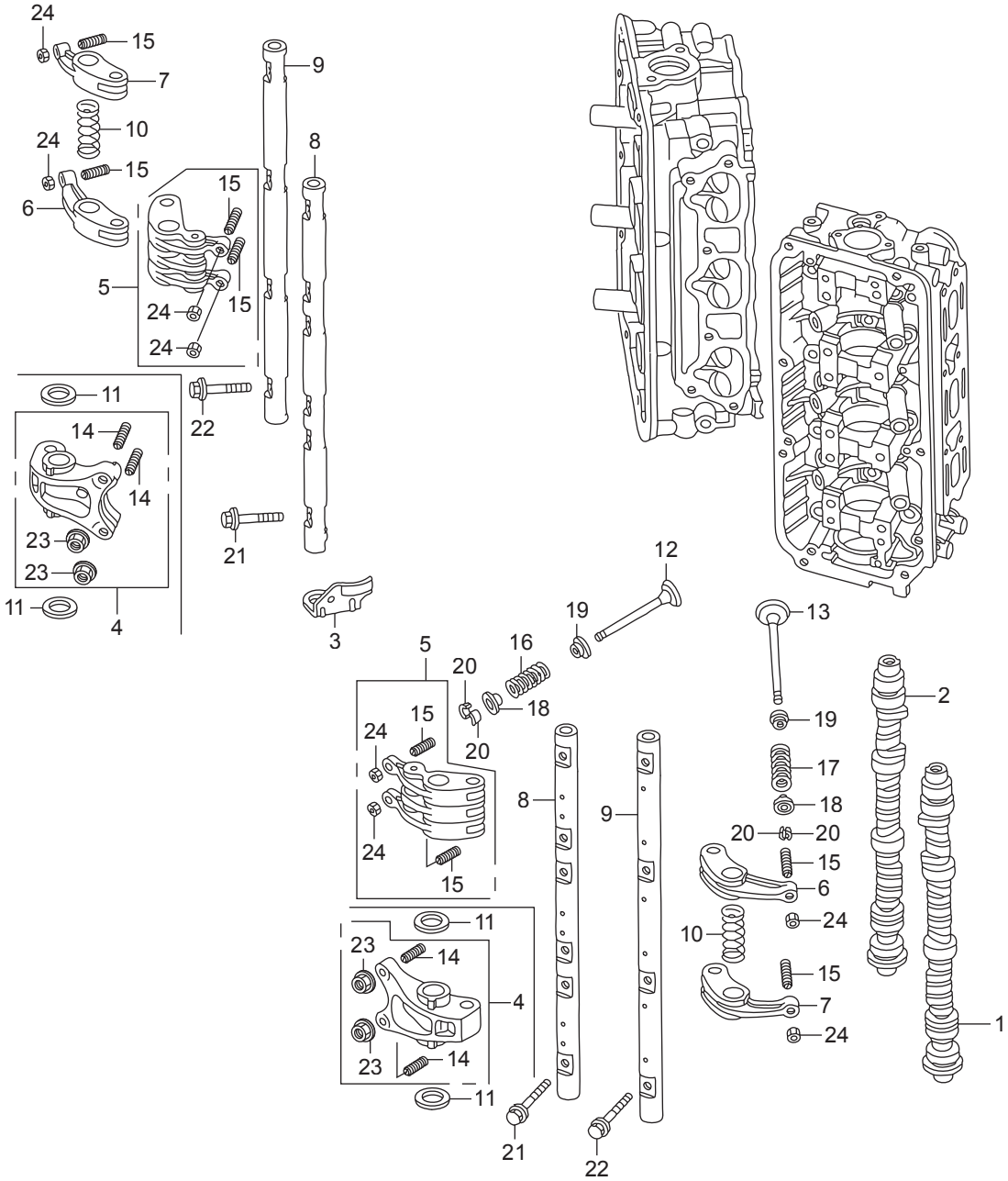
FR. 



Ref.No.	Part No.	Description	Q' ty		Remarks
			BFT200A	BFT225A	
E-7	13	HZY3-13391-000		1	#1300972~ #6000070~
E-7	14	HZY3-13392-000	1		#1300393~ #6000037~
E-7	14	HZY3-13392-000		1	#1300972~ #6000070~
E-7	15	HZY3-13398-003	1		#1300393~ #6000037~
E-7	15	HZY3-13398-003		1	#1300972~ #6000070~
E-7	16	HZY3-06131-000	1		#~1300392 #~6000036
E-7	16	HZY3-06131-000		1	#~1300971 #~6000069

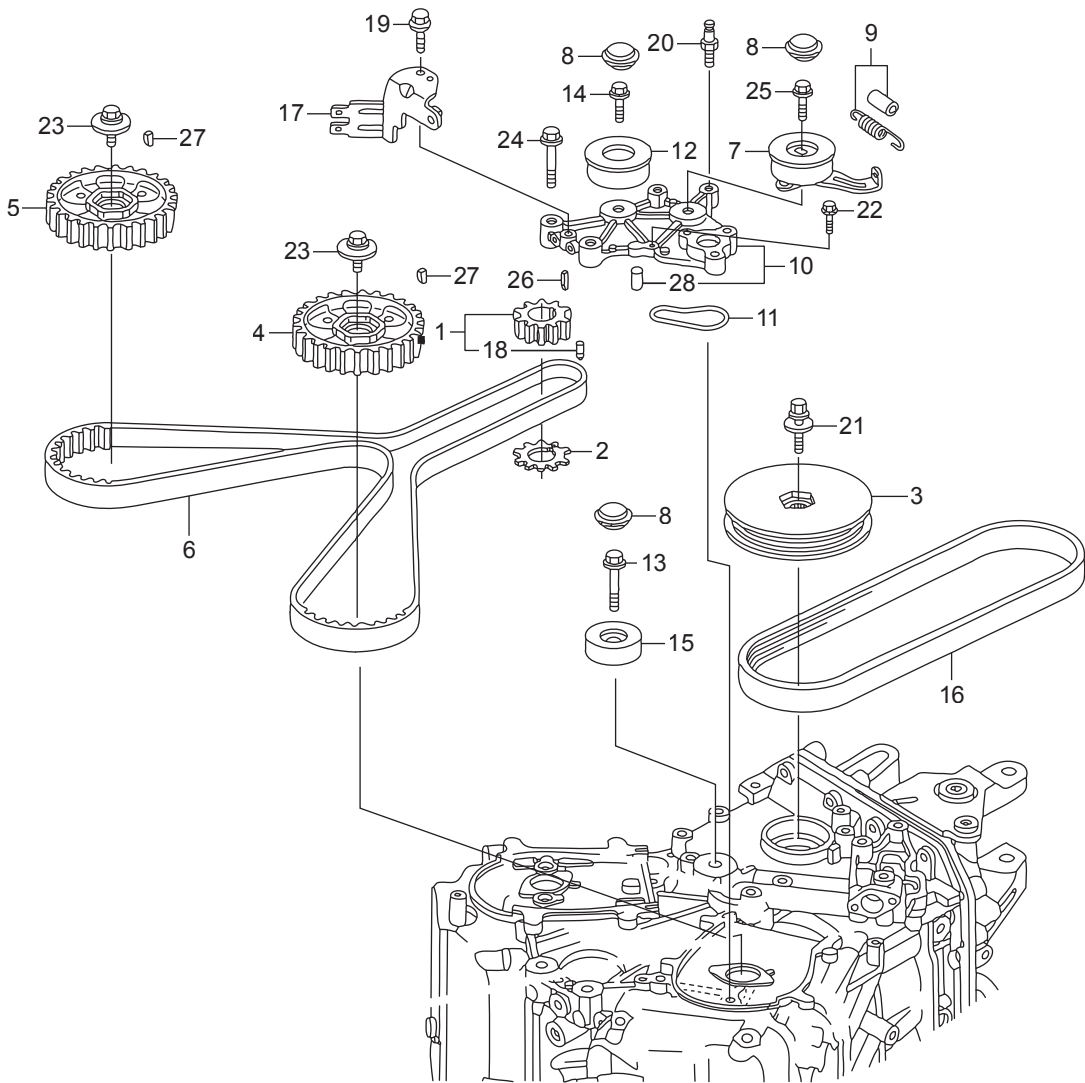


Ref.No.	Part No.	Description	Q' ty		Remarks	
			BFT200A	BFT225A		
E-9	1	HZY3-11911-010	HANGER, ENGINE	2	2	
E-9	2	HPJ7-12204-305	GUIDE, IN. VALVE(OS)	12	12	
E-9	3	HPJ7-12205-305	GUIDE, EX. VALVE(OS)	12	12	
E-9	4	HPZ1-12210-004	SEAL A, VALVE STEM(NOK)	12	12	
E-9	5	HZY3-12210-010ZA	HEAD COMP., CYLINDER	2	2	*NH8* DARK GRAY
E-9	6	HPZ1-12211-004	SEAL B, VALVE STEM(NOK)	12	12	
E-9	7	HZY3-12231-000	COVER, R. CAMSHAFT THRUST	1	1	
E-9	8	HZY3-12241-000	COVER, L. CAMSHAFT THRUST	1	1	
E-9	9	HZY3-12251-A01	GASKET COMP., CYLINDER HEAD	2	2	(NIPPON LEAKLESS)
E-9	10	HZY3-14820-405	MOTION COMP., LOST	6		
E-9	10	HP8F-14820-A01	MOTION COMP., LOST		6	
E-9	13	HPT0-90005-003	BOLT-WASHER, 12X163	16	16	
E-9	14	HZY3-90026-000	BOLT, FLANGE, 8X20	4	4	
E-9	15	HZY3-90035-000	BOLT, FLANGE, 8X28	4	4	
E-9	17	HP8A-90701-A00	DOWEL PIN, 6X10	4	4	
E-9	18	HPT0-90705-000	DOWEL PIN, 16X22	4	4	
E-9	19	HRKG-91213-003	OIL SEAL, 39X53X8(NOK)	2	2	
E-9	20	HP8A-91301-A00	O-RING, 48.5X2.4	2	2	
E-9	21	HCO-94302-06100	DOWEL PIN, 6X10	4	4	



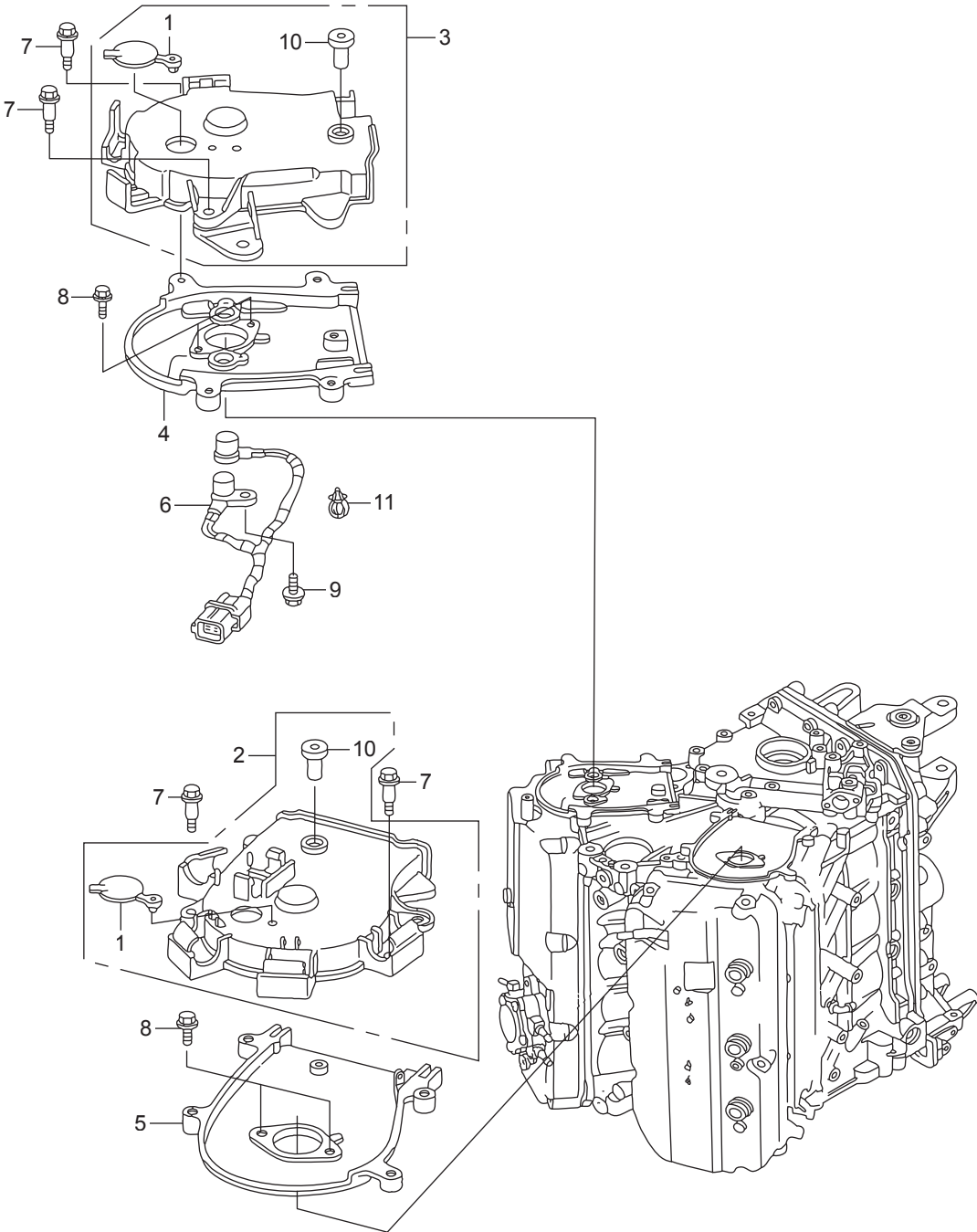
Ref.No.	Part No.	Description	Q' ty		Remarks	
			BFT200A	BFT225A		
E-9-10	1	HZY2-14111-A00	CAMSHAFT, R.	1		
E-9-10	1	HZY3-14111-A00	CAMSHAFT, R.		1	
E-9-10	2	HZY2-14211-A00	CAMSHAFT, L.	1		
E-9-10	2	HZY3-14211-A00	CAMSHAFT, L.		1	
E-9-10	3	HZY3-14436-000	ARM, FUEL PUMP ROCKER	1	1	
E-9-10	4	HRDV-14610-J00	ARM ASSY., FR. INTAKE ROCKER	6		
E-9-10	5	HP8A-14620-A01	ARM ASSY., INTAKE ROCKER		6	
E-9-10	6	HP8A-14626-A00	ARM COMP. A, EX. ROCKER	6	6	
E-9-10	7	HP8A-14627-A00	ARM COMP. B, EX. ROCKER	6	6	
E-9-10	8	HRDV-14631-J00	SHAFT COMP., FR. INTAKE ROCKER	2		ARM
E-9-10	8	HP8A-14631-A00	SHAFT COMP., INTAKE ROCKER ARM		2	
E-9-10	9	HRCA-14632-A00	SHAFT COMP., EX. ROCKER ARM	2	2	
E-9-10	10	HP8A-14645-A01	SPRING, ROCKER ARM	6	6	
E-9-10	11	HRDV-14646-J00	WASHER, THRUST	12		
E-9-10	12	HPXK-14711-000	VALVE, IN.	12	12	
E-9-10	13	HRJA-14721-E00	VALVE, EX.	12	12	
E-9-10	14	HPM3-14744-000	SCREW, TAPPET ADJUSTING	12		
E-9-10	15	HPT0-14744-004	SCREW, TAPPET ADJUSTING	12	24	
E-9-10	16	HP8E-14761-A01	SPRING, IN. VALVE(GRAY)	12	12	(NIPPON HATSUJO)
E-9-10	17	HP8E-14762-A01	SPRING, EX. VALVE	12	12	(YELLOW GREEN)
E-9-10	18	HRDV-14765-J00	RETAINER, VALVE SPRING	24	24	
E-9-10	19	HPM3-14775-000	SEAT, VALVE SPRING	24	24	
E-9-10	20	HRGM-14781-A01	COTTER, VALVE(FUJI VALVE)	48	48	
E-9-10	21	HP8A-90003-A00	BOLT, FLANGE, 8X30	12	12	
E-9-10	22	HP8A-90004-A00	BOLT, FLANGE, 8X40	8	8	
E-9-10	23	HPM3-90206-004	NUT, TAPPET ADJUSTING	12		(TOKAI TRW)
E-9-10	24	HPT0-90206-004	NUT, TAPPET ADJUSTING	12	24	

FR. 



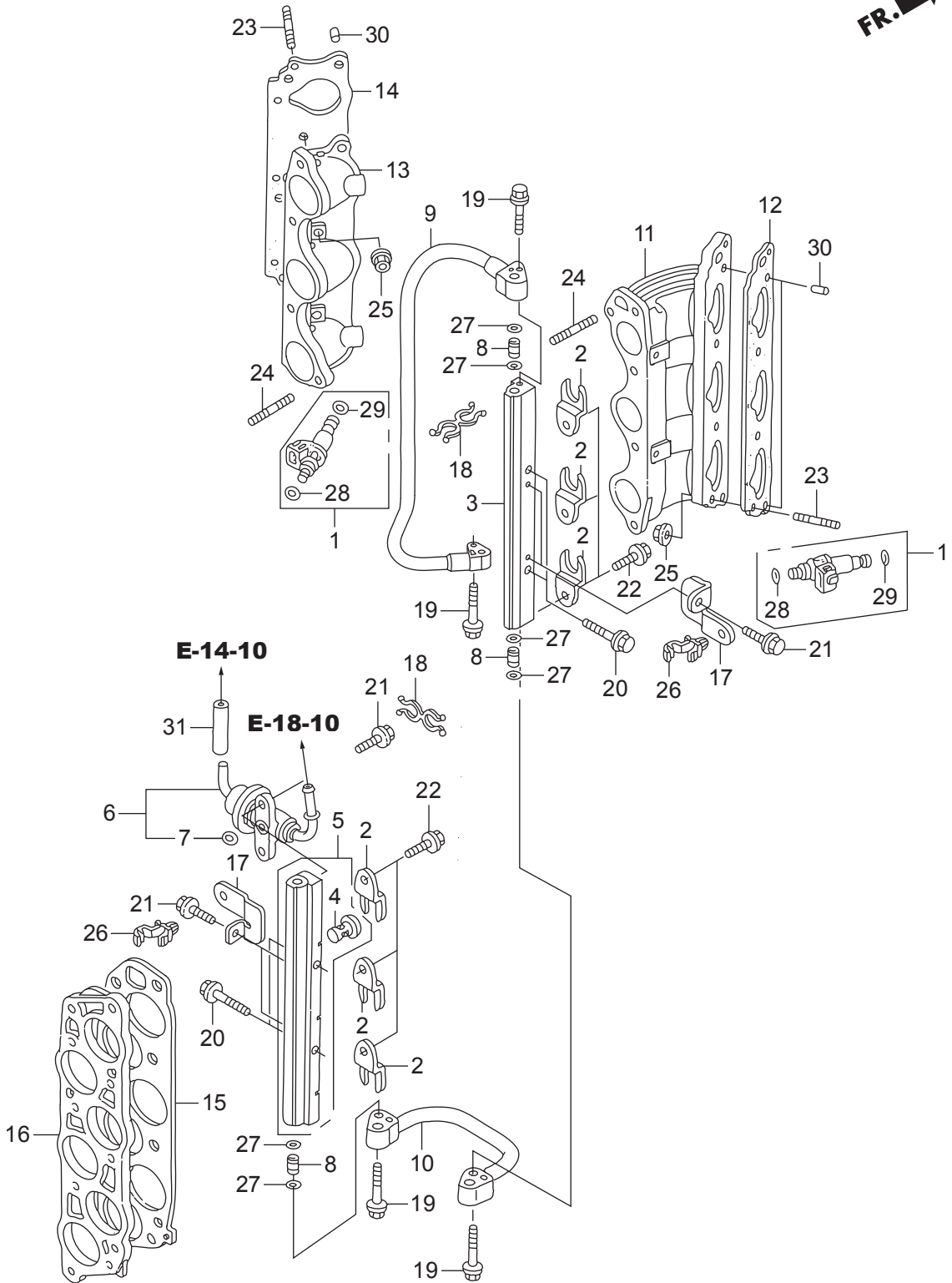
Ref.No.	Part No.	Description	Q'ty		Remarks	
			BFT200A	BFT225A		
E-13	1	HZY3-13621-C01	PULLEY, TIMING BELT DRIVE	1	1	
E-13	2	HZY3-13622-C00	PLATE, TIMING BELT GUIDE	1	1	
E-13	3	HZY3-13811-A00	PULLEY, CRANKSHAFT	1	1	
E-13	4	HZY3-14261-C00	PULLEY COMP., R. TIMING BELT	1	1	DRIVEN
E-13	5	HZY3-14270-C00	PULLEY COMP., L. TIMING BELT	1	1	DRIVEN
E-13	6	HP8A-14400-A01	BELT, TIMING(197YU26 B-333)	1	1	
E-13	7	HZY3-14510-003	TENSIONER COMP., TIMING BELT	1	1	
E-13	8	HZY3-14515-000	CAP, TIMING BELT TENSIONER	3	3	
E-13	9	HZY3-14520-000	SPRING COMP., TIMING BELT	1	1	ADJUSTING
E-13	10	HZY3-14526-405ZA	BASE COMP., TIMING BELT	1	1	TENSIONER *NH8* DARK GRAY
E-13	11	HZY3-14529-000	O-RING, TIMING BELT TENSIONER	1	1	BASE
E-13	12	HZY3-14550-003	IDLER, TIMING BELT(KOYO SEIKO)	1	1	
E-13	13	HP8A-14551-A01	BOLT, IDLER	1	1	
E-13	14	HZY3-14553-003	BOLT, TIMING BELT IDLER A	1	1	
E-13	15	HZY3-14555-003	IDLER B, TIMING BELT	1	1	
E-13	16	HZY3-31638-003	BELT, A.C. GENERATOR	1	1	(6PK745 M-180)
E-13	17	HZY3-32111-010	BRACKET, COUPLER D	1	1	
E-13	18	HZV0-41122-000	PIN, VERTICAL SHAFT	1	1	
E-13	19	HZW9-90011-000	BOLT, FLANGE, 6X14(CT200)	1	1	
E-13	20	HZV5-90012-013	BOLT, TIMING BELT ADJUSTING	1	1	SPRING
E-13	21	HRJA-90017-003	BOLT-WASHER, 16X49	1	1	
E-13	22	HZY3-90030-000	BOLT, FLANGE, 6X22	1	1	
E-13	23	HP8A-90031-A01	BOLT-WASHER, 12X35	2	2	
E-13	24	HZY3-90039-000	BOLT, FLANGE, 10X40	3	3	
E-13	25	HZY3-90040-000	BOLT, FLANGE, 10X43	1	1	
E-13	26	HRCA-90704-A00	KEY, 4.5X24	1	1	
E-13	27	HZY3-90741-000	KEY, SPECIAL	2	2	
E-13	28	HCO-94301-06100	DOWEL PIN, 6X10	1	1	

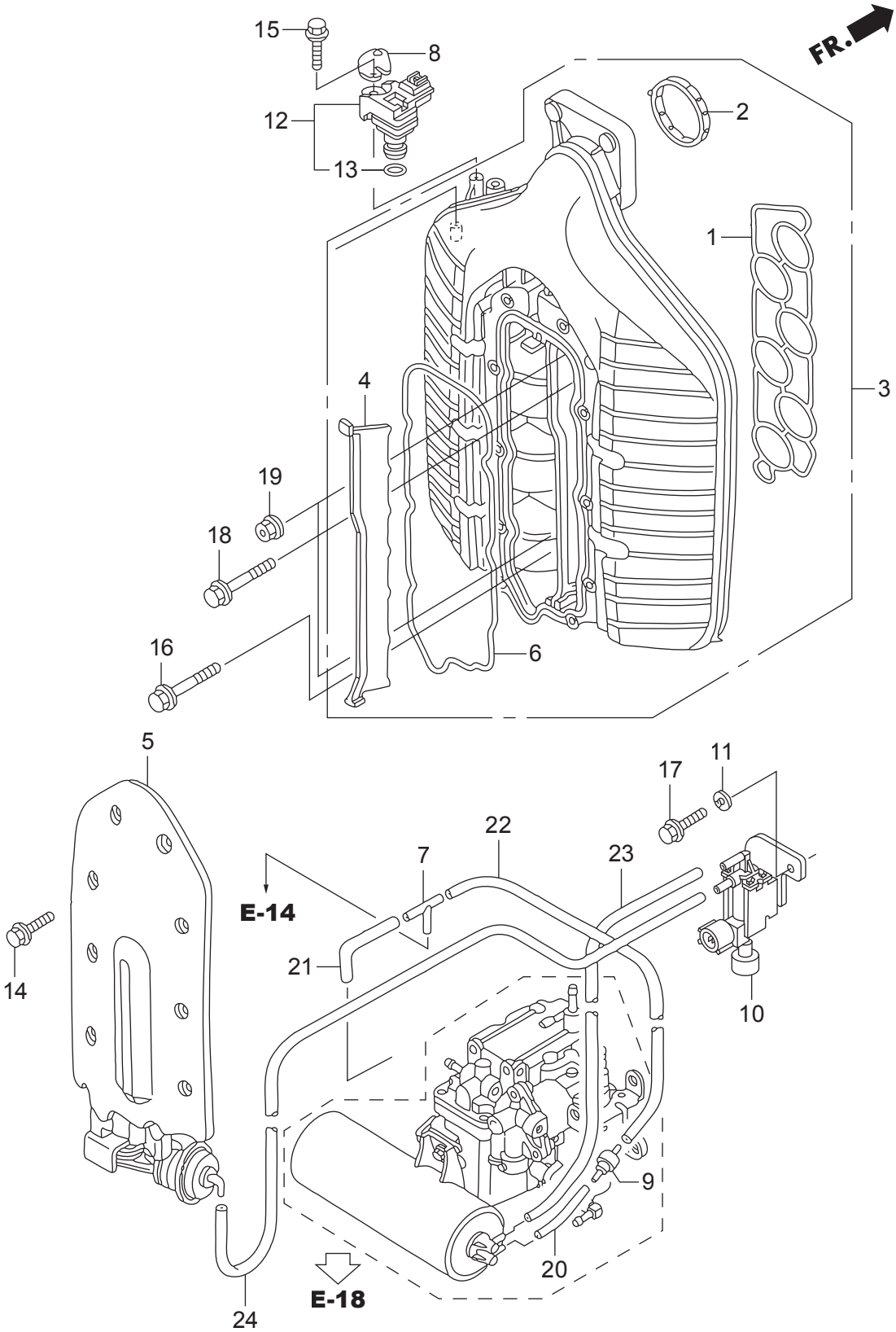
FR. 



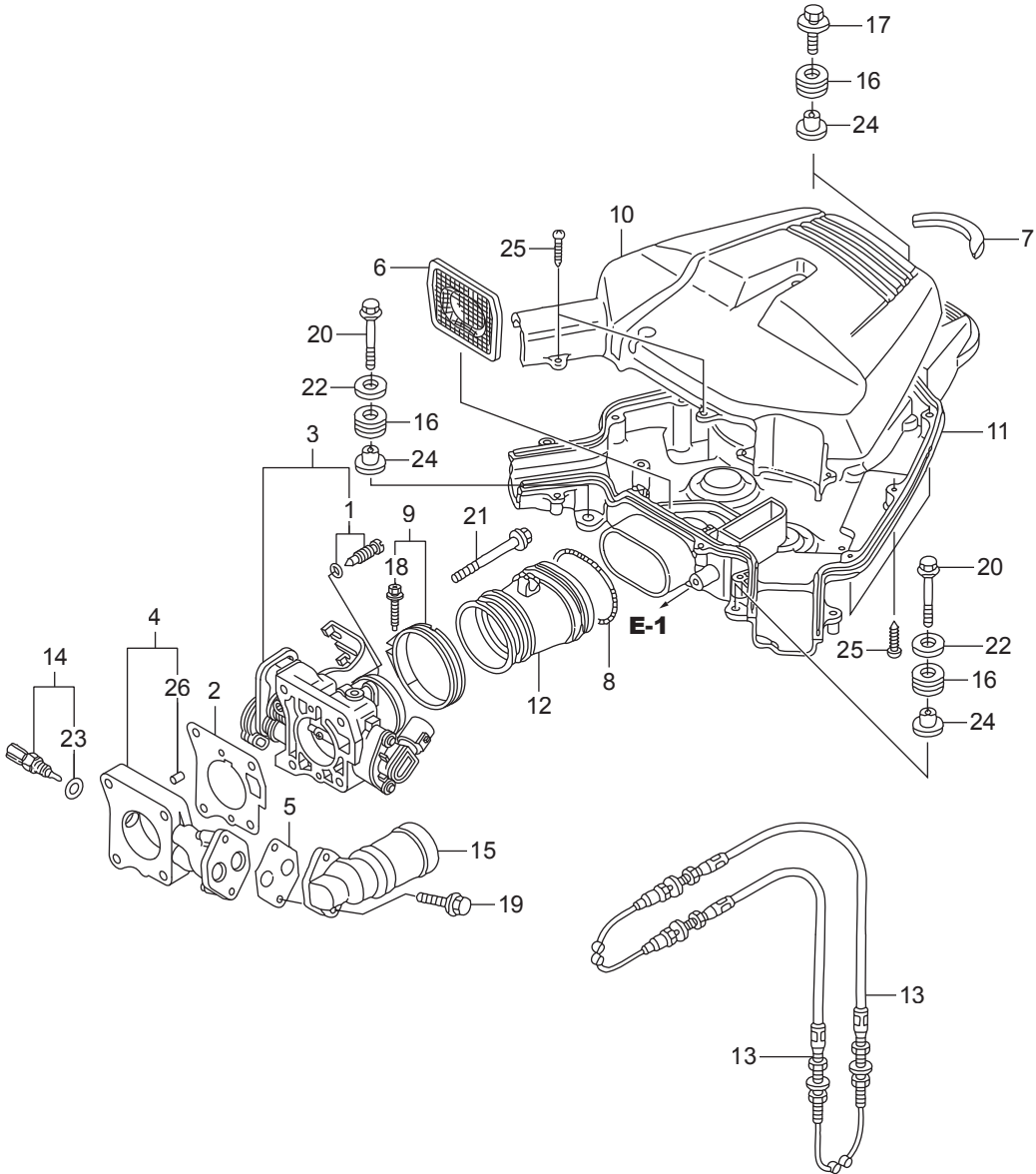
Ref.No.	Part No.	Description	Q' ty		Remarks	
			BFT200A	BFT225A		
E-14	1	HZY6-16450-003	INJECTOR ASSY., FUEL	6	6	
E-14	2	HZY3-16451-000	CLIP, INJECTOR	6	6	
E-14	3	HZY3-16611-A00	PIPE, R. FUEL	1	1	
E-14	4	HP5G-16614-003	MESH, FUEL FILTER	1	1	
E-14	5	HZY3-16620-A00	PIPE COMP., L. FUEL	1	1	
E-14	6	HZY3-16740-A01	REGULATOR ASSY., PRESSURE	1	1	
E-14	7	HPG7-16741-005	O-RING, PRESSURE REGULATOR	1	1	
E-14	8	HZY3-16752-A00	JOINT, FUEL PIPE	3	3	
E-14	9	HZY3-16755-003	HOSE COMP., FUEL	1	1	
E-14	10	HZY3-16757-003	HOSE COMP., FUEL JOINT	1	1	
E-14	11	HZY3-17051-A00	BASE, R. INJECTOR	1	1	
E-14	12	HRCA-17055-A01	GASKET, FR. INJECTOR BASE	1	1	
E-14	13	HZY3-17061-A00	BASE, L. INJECTOR	1	1	
E-14	14	HRCA-17065-A01	GASKET, RR. INJECTOR BASE	1	1	
E-14	15	HP8E-17105-A01	GASKET, INTAKE MANIFOLD	1	1	
E-14	16	HZY3-17108-000	SPACER, INTAKE MANIFOLD	1	1	
E-14	17	HZY3-32112-000	BRACKET, HARNESS CLIP A	4	4	
E-14	18	HSJ6-78419-003	CLIP D, SPEEDOMETER CABLE	2	2	
E-14	19	HZW9-90016-000	BOLT, FLANGE, 6X25	4	4	
E-14	20	HZW9-90019-000	BOLT, FLANGE, 6X35	4	4	
E-14	21	HZY3-90021-000	BOLT, FLANGE, 6X14	6	6	
E-14	22	HZY3-90042-000	BOLT, FLANGE, 6X10	6	6	
E-14	23	HZY3-90043-000	BOLT, STUD, 8X28	8	8	
E-14	24	HZY3-90044-000	BOLT, STUD, 8X45	2	2	
E-14	25	HZY3-90205-000	NUT, FLANGE, 8MM	8	8	
E-14	26	HSB2-90650-003	CLIP, WIRE HARNESS, 10MM	4	4	
E-14	27	HMJ0-91301-003	O-RING, 7.8X1.9(ARAI)	6	6	
E-14	28	HPLC-91301-000	O-RING, 7.47X3.6	6	6	
E-14	29	HPNA-91302-003	O-RING, 7.45X3.61(NOK)	6	6	

FR. 

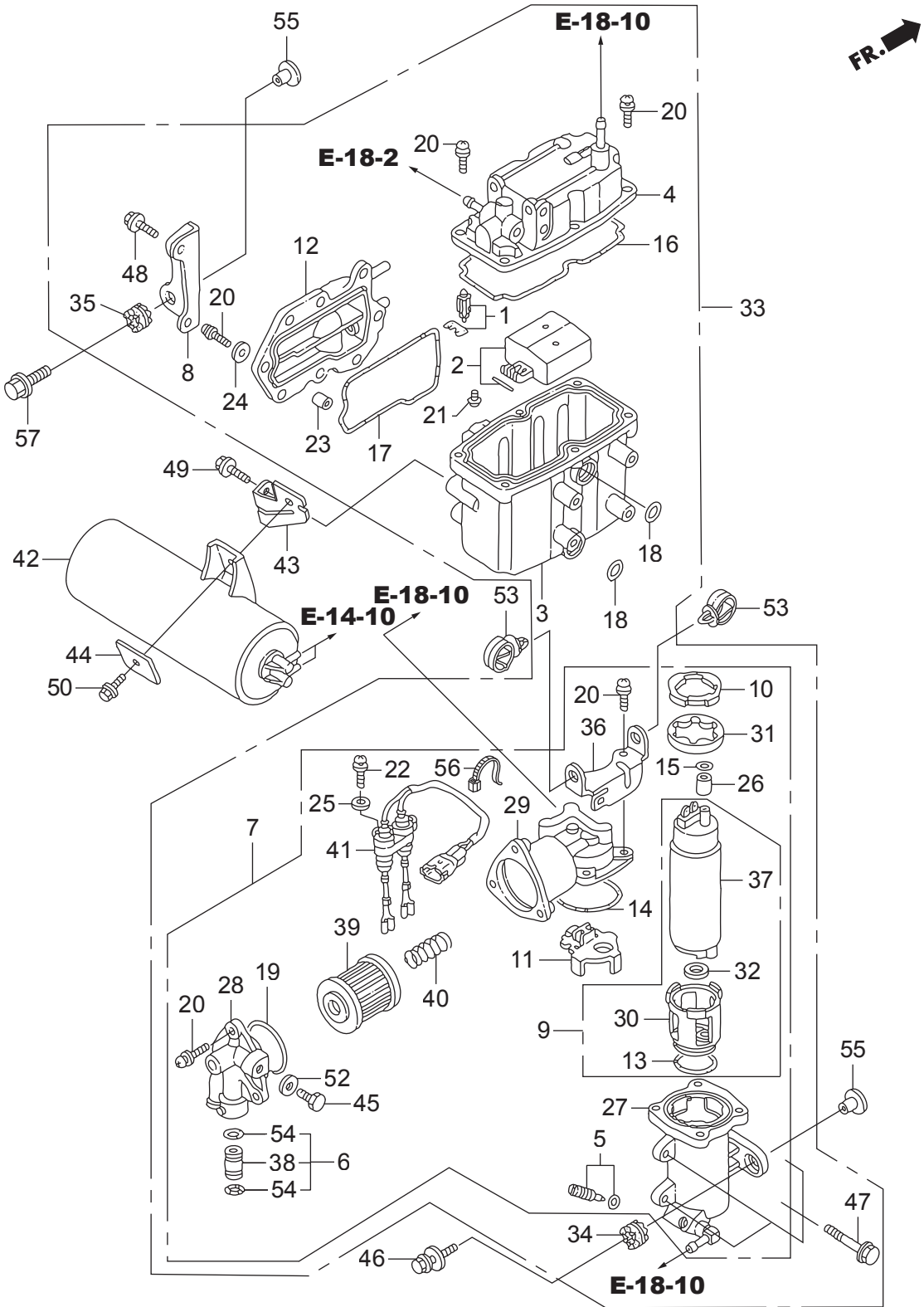




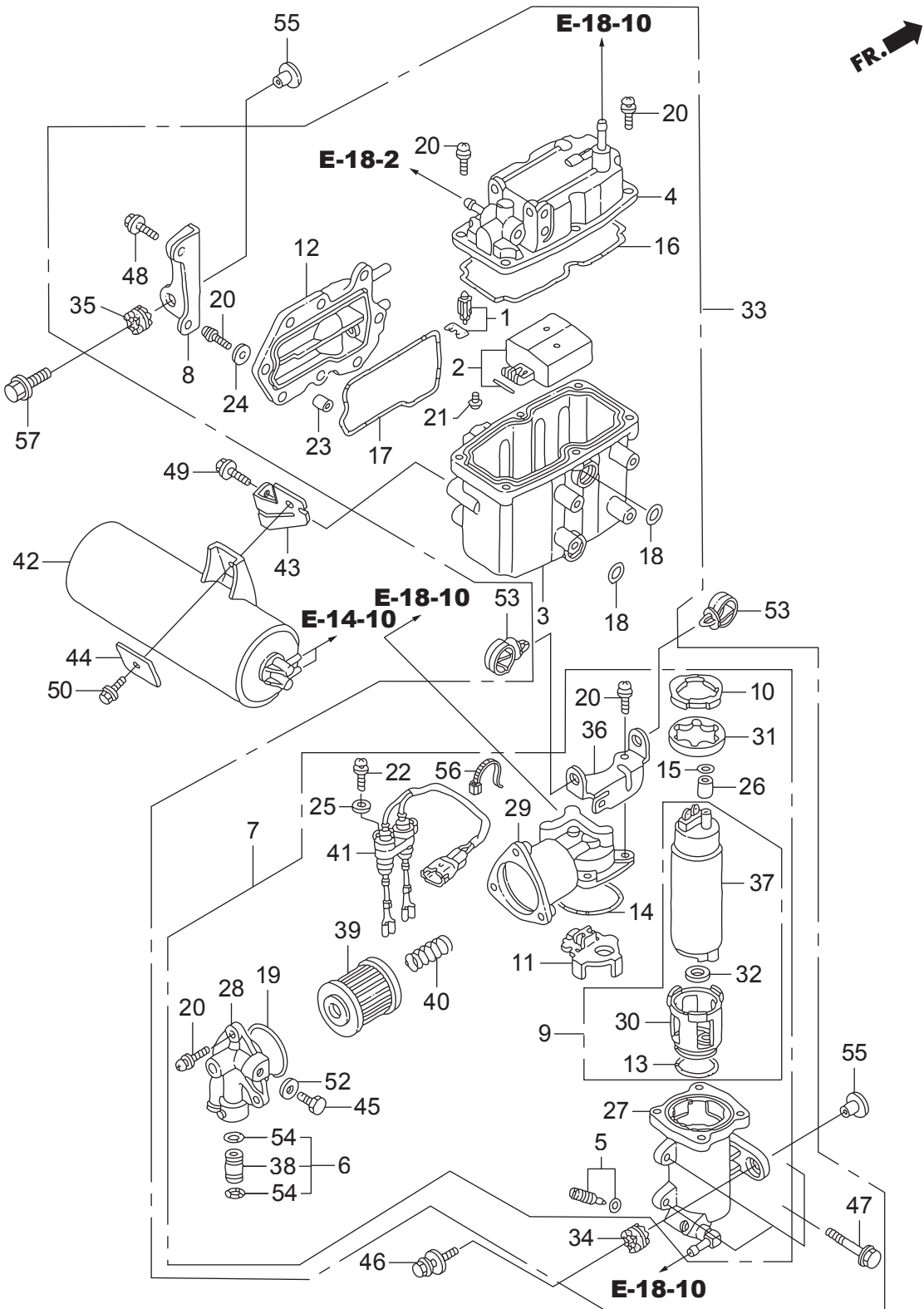
Ref.No.	Part No.	Description	Q' ty		Remarks	
			BFT200A	BFT225A		
E-14-10	1	HZY3-17105-004	GASKET, INTAKE MANIFOLD	1	1	
E-14-10	2	HZY3-17109-004	PACKING, THROTTLE BODY	1	1	
E-14-10	3	HZY3-17110-003	MANIFOLD COMP., INTAKE	1	1	
E-14-10	4	HZY3-17113-003	PLATE, INTAKE MANIFOLD CENTER	1	1	
E-14-10	5	HZY3-17130-003ZA	COVER COMP., INTAKE MANIFOLD	1	1	*NH8* DARK GRAY
E-14-10	6	HZY3-17138-004	PACKING, INTAKE MANIFOLD UP	1	1	COVER
E-14-10	7	HMG9-17201-000	JOINT A, VACUUM TUBE	1	1	
E-14-10	8	HZY3-32128-000	BRACKET, SENSOR CORD	1	1	
E-14-10	9	HPM4-36145-004	VALVE, CHECK	1	1	
E-14-10	10	HZY3-36163-003	VALVE ASSY., AIR BYPASS	1	1	
E-14-10	11	HP8D-36165-J00	WASHER, CONICAL SPRING(5)	1	1	
E-14-10	12	HRNA-37830-A01	SENSOR ASSY., MAP	1	1	
E-14-10	13	HPGK-37835-A01	O-RING	1	1	
E-14-10	14	HZY3-90023-000	BOLT, FLANGE, 6X22	10	10	
E-14-10	15	HZY3-90029-000	BOLT-WASHER, 5X18	1	1	
E-14-10	16	HZY3-90031-000	BOLT, FLANGE, 6X32	1	1	
E-14-10	17	HZY3-90058-000	BOLT, FLANGE, 5X10	1	1	
E-14-10	18	HZW4-90156-000	BOLT, FLANGE, 8X50	7	7	
E-14-10	19	HZY3-90205-000	NUT, FLANGE, 8MM	2	2	
E-14-10	20	HCO-95001-35040-40	TUBE, FUEL, 3.5X40	1	1	(HC-95001-35001-60M)
E-14-10	21	HCO-95001-35130-40	TUBE, FUEL, 3.5X130	1	1	(HC-95001-35001-60M)
E-14-10	22	HCO-95001-35540-40	TUBE, FUEL, 3.5X540	1	1	(HC-95001-35001-60M)
E-14-10	23	HCO-95001-35590-60	TUBE, FUEL, 3.5X590	1	1	(HC-95001-35001-60M)
E-14-10	24	HCO-95001-35600-40	TUBE, FUEL, 3.5X600	1	1	(HC-95001-35001-60M)



Ref.No.	Part No.	Description	Q' ty		Remarks	
			BFT200A	BFT225A		
E-15	1	HZY3-16016-003	SCREW SET	1	1	
E-15	2	HZY3-16176-000	GASKET, THROTTLE BODY	1	1	
E-15	3	HZY3-16400-A01	THROTTLE BODY ASSY.	1	1	
E-15	4	HZY3-16404-000	SPACER, THROTTLE BODY	1	1	
E-15	5	HZY3-16405-000	GASKET, EAC VALVE	1	1	
E-15	6	HZY3-17203-000	TRAP, FLAME	1	1	
E-15	7	HZY3-17207-300	RUBBER, SEAL SILENCER	1	1	
E-15	8	HPY3-17249-000	SPRING, AIR FLOW TUBE	1	1	
E-15	9	HZY9-17315-000	BAND, AIR FLOW	1	1	
E-15	10	HZY3-17372-000	CASE A, SILENCER	1	1	
E-15	11	HZY3-17373-010	CASE B, SILENCER	1	1	
E-15	12	HZY3-17374-010	GROMMET, SILENCER	1	1	
E-15	13	HZY3-17910-013	CABLE COMP., THROTTLE	2	2	
E-15	14	HZW5-35665-003	SENSOR ASSY., AIR TEMP	1	1	
E-15	15	HZY3-36550-003	VALVE ASSY., EAC	1	1	
E-15	16	HZV5-40102-000	GROMMET, UNDER CASE	4	4	
E-15	17	HZW1-90013-000	BOLT-WASHER, 6X25	2	2	
E-15	18	HZY9-90017-000	BOLT-WASHER, 5X30	1	1	
E-15	19	HZY3-90030-000	BOLT, FLANGE, 6X22	2	2	
E-15	20	HZY3-90034-000	BOLT, FLANGE, 6X60	2	2	
E-15	21	HZY3-90037-000	BOLT, FLANGE, 8X65	4	4	
E-15	22	HZY3-90508-000	WASHER, PLAIN, 6MM	2	2	
E-15	23	HP0A-91303-A02	O-RING	1	1	
E-15	24	HZV5-91553-010	COLLAR, C.D.I. UNIT CASE	4	4	
E-15	25	HCO-93903-254G0	SCREW, TAPPING, 5X20	15	15	
E-15	26	HCO-94301-06100	DOWEL PIN, 6X10	2	2	

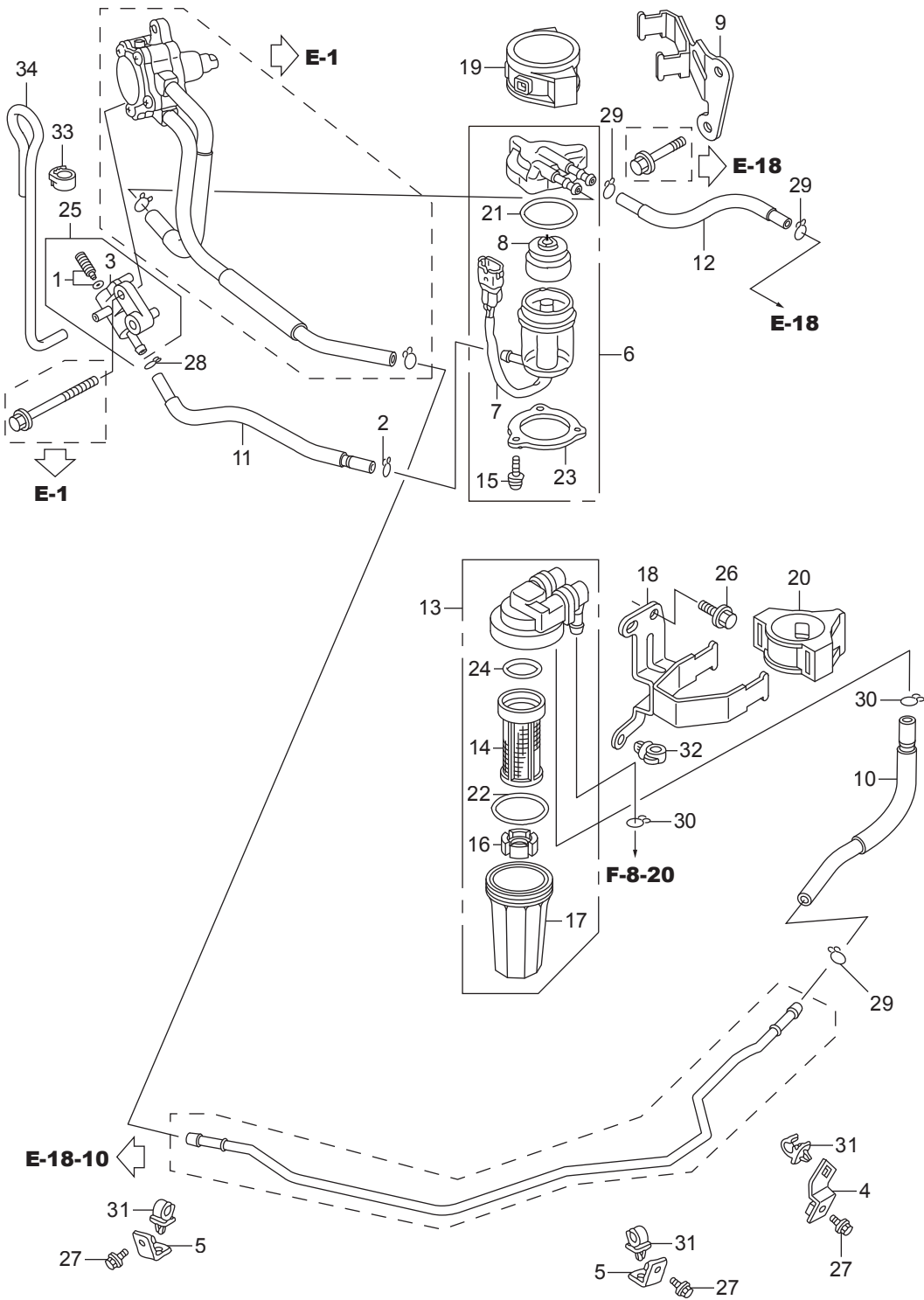


Ref.No.	Part No.	Description	Q' ty		Remarks	
			BFT200A	BFT225A		
E-18	1	HZY3-16011-A01	VALVE SET, FLOAT	1	1	
E-18	2	HZY3-16013-000	FLOAT SET	1	1	
E-18	3	HZY3-16015-000	BODY	1	1	
E-18	4	HZX2-16020-003	COVER COMP.	1	1	
E-18	5	HZY3-16024-000	SCREW SET, DRAIN	1	1	
E-18	6	HZY3-16026-000	JOINT SET	1	1	
E-18	7	HZX2-16030-003	PUMP UNIT SET A, FUEL	1	1	
E-18	8	HZY3-16031-010	STAY, PLATE	1	1	
E-18	9	HZY3-16036-003	PUMP UNIT SET B, FUEL	1	1	
E-18	10	HZY3-16041-000	PLATE	1	1	
E-18	11	HZY3-16042-000	HOLDER	1	1	
E-18	12	HZY3-16061-000	COVER, WATER JACKET	1	1	
E-18	13	HZY3-16072-000	O-RING	1	1	
E-18	14	HZY3-16073-000	O-RING	1	1	
E-18	15	HZY3-16074-000	O-RING	1	1	
E-18	16	HZY3-16075-000	O-RING	1	1	
E-18	17	HZY3-16076-000	O-RING	1	1	
E-18	18	HZY3-16077-000	O-RING	2	2	
E-18	19	HZY3-16078-000	O-RING	1	1	
E-18	20	HZW5-16081-010	SCREW-WASHER	21	21	
E-18	21	HZY3-16082-000	SCREW, PAN	2	2	
E-18	22	HZY3-16083-000	SCREW, WASHER	1	1	
E-18	23	HZW5-16086-000	COLLAR	8	8	
E-18	24	HZW5-16087-000	WASHER, PLAIN	8	8	
E-18	25	HZY3-16087-000	WASHER, PLAIN	1	1	
E-18	26	HZY3-16088-000	COLLAR	1	1	
E-18	27	HZX2-16701-003	CASE COMP., PUMP	1	1	
E-18	28	HZY3-16708-000	COVER, PUMP	1	1	
E-18	29	HZW5-16715-023	COVER, PUMP(A)	1	1	



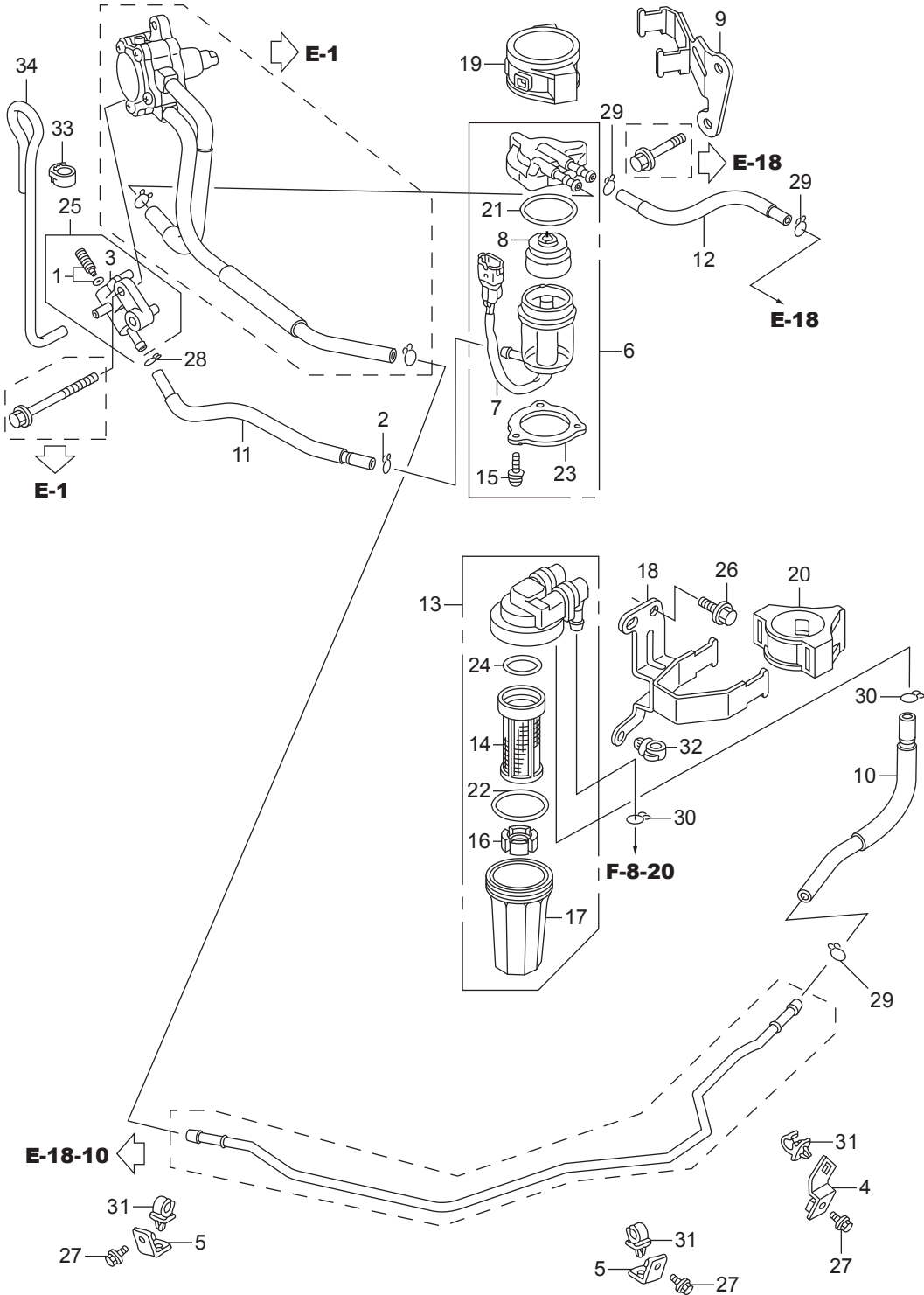
Ref.No.	Part No.	Description	Q' ty		Remarks	
			BFT200A	BFT225A		
E-18	30	HZY6-16718-013	INSULATOR COMP.	1	1	
E-18	31	HZY3-16721-000	INSULATOR	1	1	
E-18	32	HZY6-16723-003	RING	1	1	
E-18	33	HZX2-16730-003	SEPARATOR ASSY., VAPOR	1	1	
E-18	34	HZW5-16733-000	GROMMET, VAPOR SEPARATOR	1	1	
E-18	35	HZY3-16733-000	GROMMET, VAPOR SEPARATOR	2	2	
E-18	36	HZY3-16734-000	STAY, PLATE	1	1	
E-18	37	HZY3-16735-004	PUMP UNIT, FUEL	1	1	
E-18	38	HZY3-16752-000	JOINT, FUEL PIPE	1	1	
E-18	39	HZY3-16911-010	SCREEN COMP., FUEL STRAINER	1	1	
E-18	40	HZY3-16913-000	SPRING, SET	1	1	
E-18	41	HZX2-32166-003	HARNESS COMP.	1	1	
E-18	42	HPR7-36361-A01	TANK COMP., VACUUM	1	1	
E-18	43	HZY3-36362-000	STAY, VACUUM TANK	1	1	
E-18	44	HZY3-36620-000	PLATE	1	1	
E-18	45	HPP4-90009-E01	BOLT, SEALING, 6MM	1	1	
E-18	46	HZW1-90014-000	BOLT-WASHER, 8X35	1	1	
E-18	47	HZW9-90016-000	BOLT, FLANGE, 6X25	4	4	
E-18	48	HZY3-90017-000	BOLT, FLANGE, 6X16	2	2	
E-18	49	HZY3-90021-000	BOLT, FLANGE, 6X14	2	2	
E-18	50	HZY3-90050-000	BOLT, FLANGE, 6X12	1	1	
E-18	52	HPD6-90430-003	WASHER, SEALING, 6MM	1	1	
E-18	53	HZB7-90691-003	CLIP, HARNESS	2	2	
E-18	54	HMJ0-91301-003	O-RING, 7.8X1.9(ARAI)	2	2	
E-18	55	HZW1-91554-000	COLLAR, 8.5X14.5	3	3	
E-18	56	HZW5-32168-003	BAND	1	1	
E-18	57	HZY3-90054-000	BOLT, FLANGE, 8X35	2	2	

FR. 



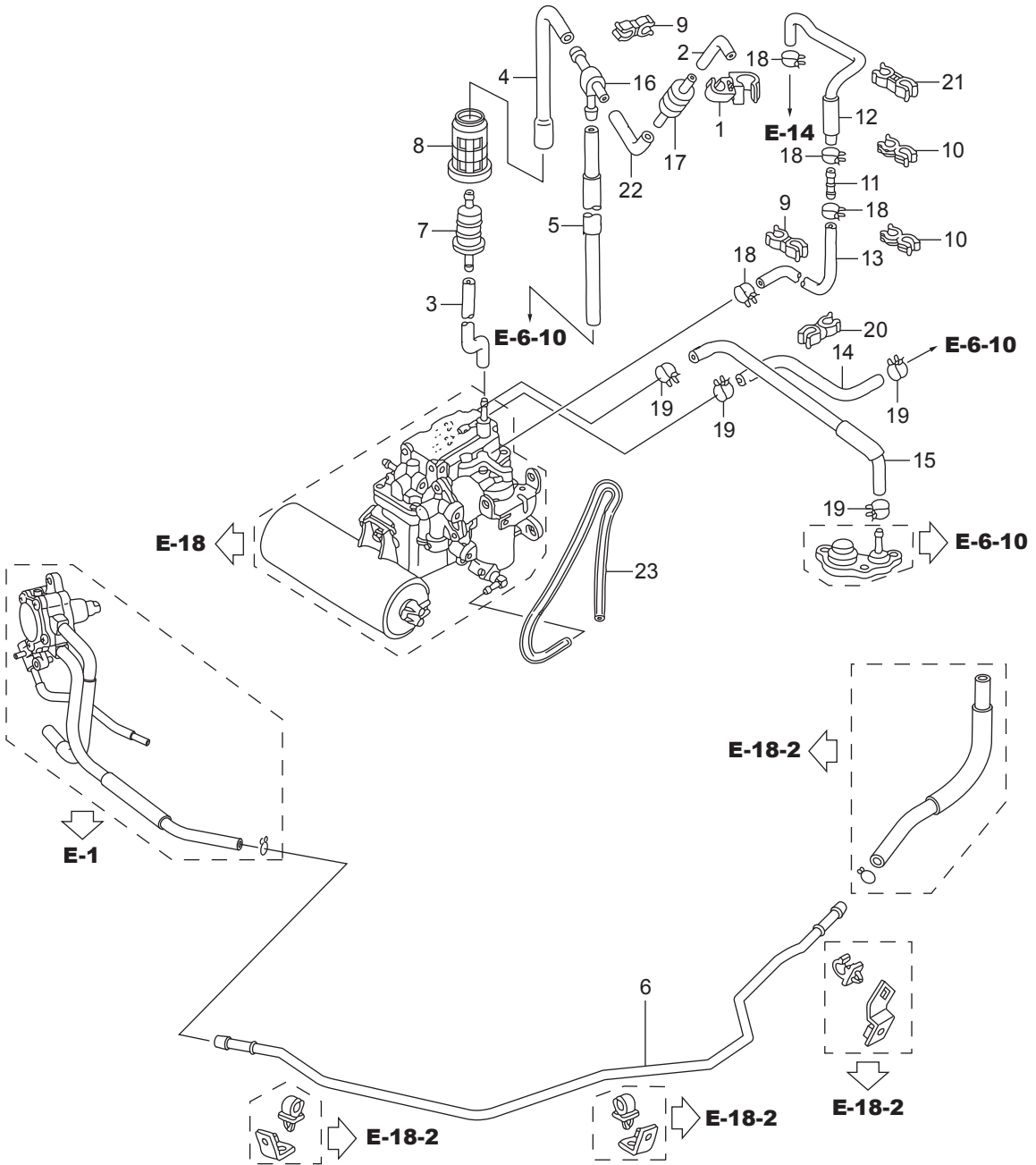
Ref.No.	Part No.	Description	Q' ty		Remarks	
			BFT200A	BFT225A		
E-18-2	1	HZX2-16024-003	SCREW SET, DRAIN	1	1	
E-18-2	2	HGHB-16163-600	CLIP, TUBE	1	1	
E-18-2	3	HZX2-16736-003	STAY COMP.	1	1	
E-18-2	4	HZY3-16753-000	STAY, FUEL PIPE A	1	1	
E-18-2	5	HZY3-16754-000	STAY, FUEL PIPE B	2	2	
E-18-2	6	HZX2-16800-003	SEPARATOR ASSY., WATER	1	1	
E-18-2	7	HZX2-16805-003	CUP SET, WATER SEPARATOR	1	1	
E-18-2	8	HZY3-16807-003	BUFFER, PLATE	1	1	
E-18-2	9	HZX2-16814-000	STAY, WATER SEPARATOR	1	1	
E-18-2	10	HZX2-16860-C00	TUBE COMP. B, FUEL	1	1	
E-18-2	11	HZX2-16880-C00	TUBE COMP. D, FUEL	1	1	
E-18-2	12	HZX2-16890-C00	TUBE COMP. E, FUEL	1	1	
E-18-2	13	HZX2-16900-003	STRAINER ASSY., FUEL	1	1	
E-18-2	14	HZZ5-16901-003	FILTER	1	1	
E-18-2	15	HZY3-16904-003	SCREW, PAN, 5X12	3	3	
E-18-2	16	HZZ5-16906-003	FLOAT	1	1	
E-18-2	17	HZX2-16912-003	CUP	1	1	
E-18-2	18	HZX2-16914-000	STAY, FUEL STRAINER	1	1	
E-18-2	19	HZY3-16915-010	SUSPENSION, STRAINER	1	1	
E-18-2	20	HZZ5-16915-000	SUSPENSION, STRAINER	1	1	
E-18-2	21	HZY3-16918-003	O-RING	1	1	
E-18-2	22	HZZ5-16918-003	O-RING	1	1	
E-18-2	23	HZY3-16919-003	PLATE	1	1	
E-18-2	24	HZZ5-16919-003	O-RING	1	1	
E-18-2	25	HZX2-16940-003	COCK ASSY., FUEL DRAIN	1	1	
E-18-2	26	HZW9-90014-000	BOLT, FLANGE, 6X10	2	2	
E-18-2	27	HZY3-90056-000	BOLT, FLANGE, 6X12	3	3	
E-18-2	28	H921-90602-000	CLIP, TUBE(B8)	1	1	
E-18-2	29	HZV0-90604-000	CLIP, TUBE(B12)	3	3	

FR. 



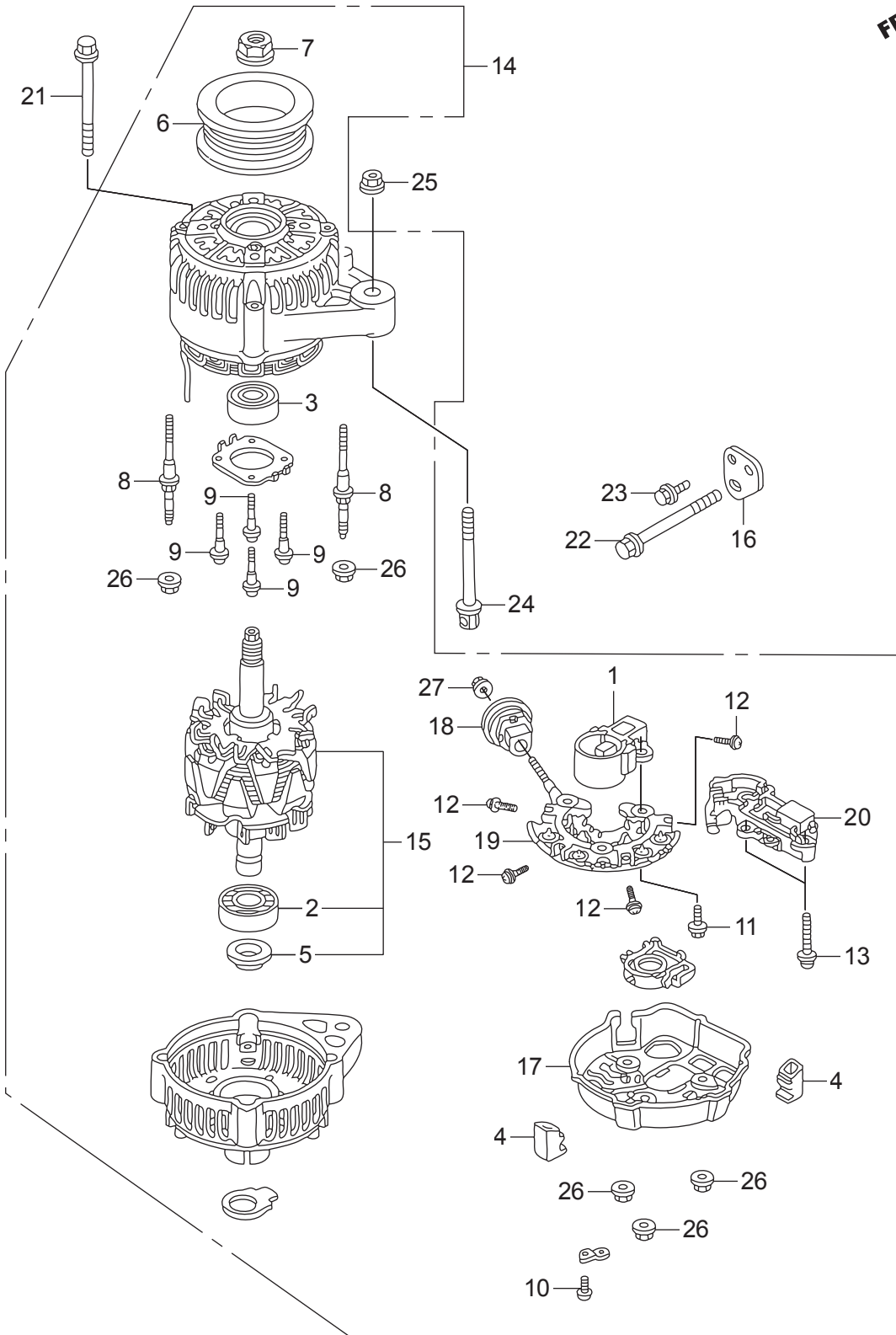
E-18-10 PIPING

FR. →

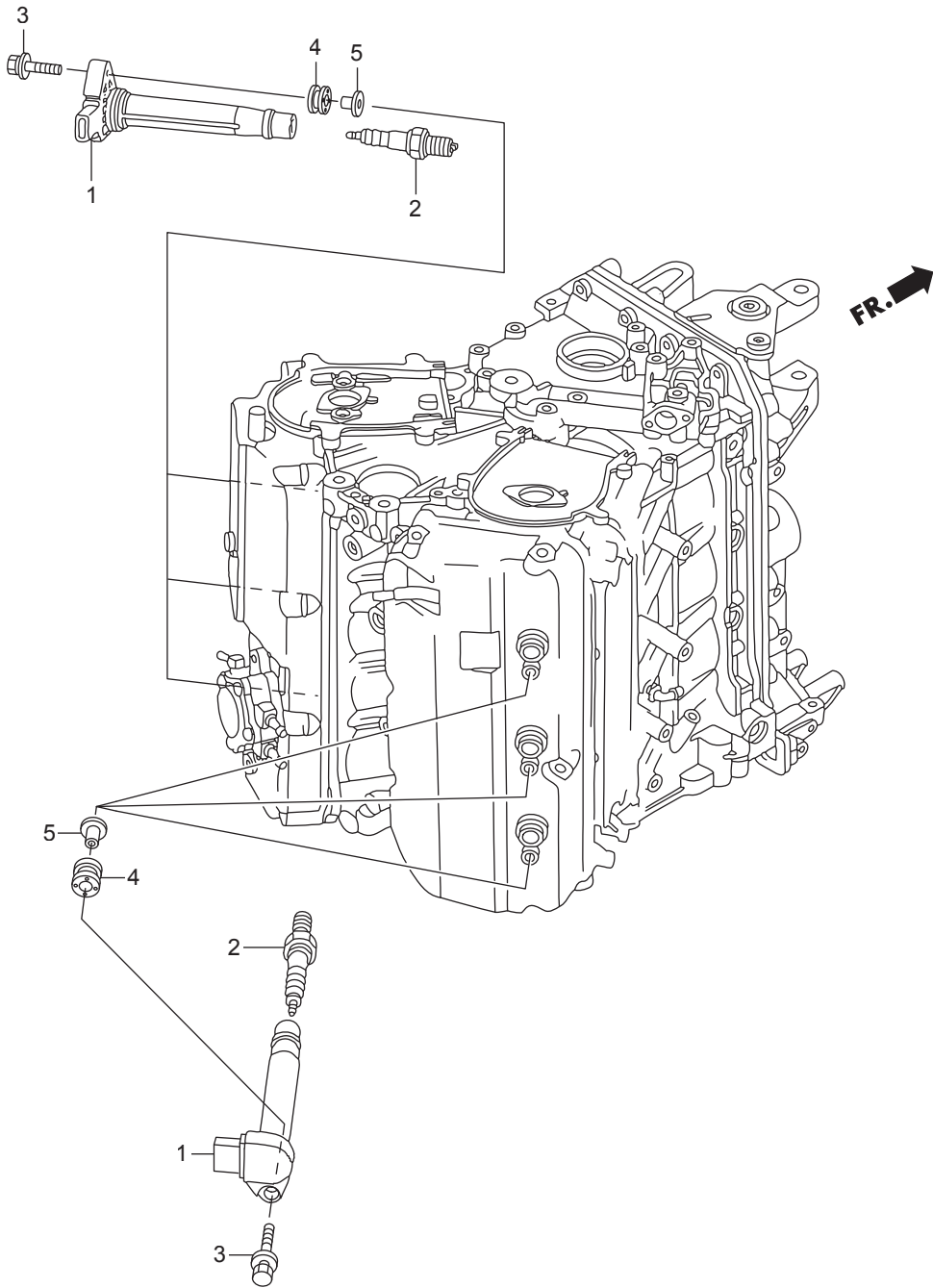


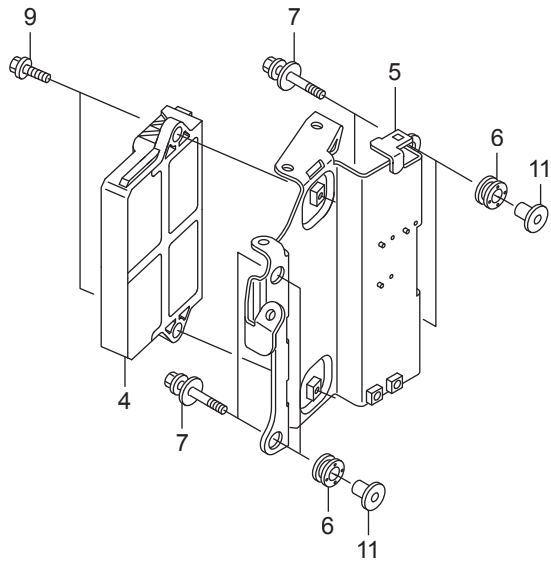
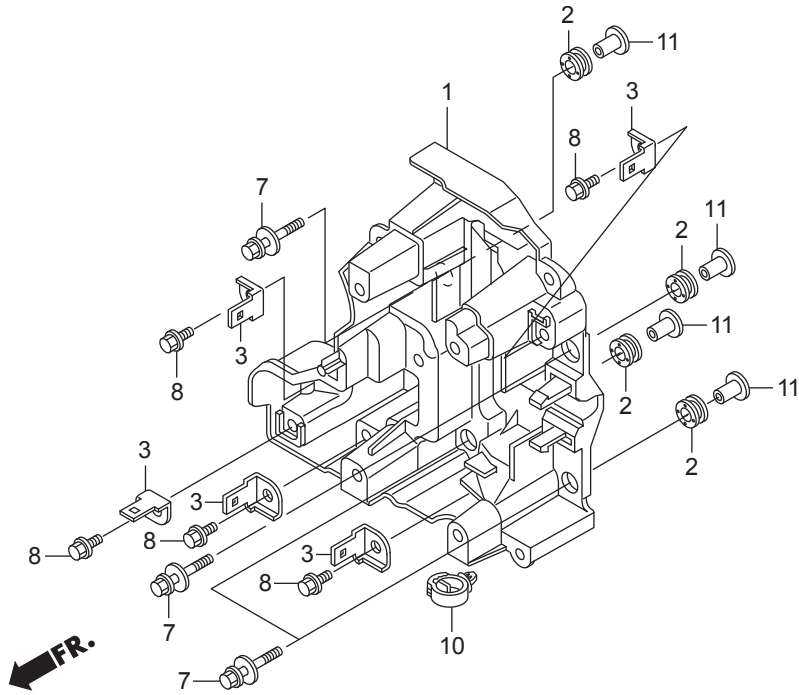
Ref.No.	Part No.	Description	Q' ty		Remarks	
			BFT200A	BFT225A		
E-18-10	1	HZY3-16193-A00	CLAMP, CHECK VALVE	1	1	
E-18-10	2	HZY3-16196-A00	TUBE, CHECK VALVE	1	1	
E-18-10	3	HZY3-16197-000	TUBE A, AIR VENT	1	1	
E-18-10	4	HZY3-16198-A00	TUBE B, AIR VENT	1	1	
E-18-10	5	HZY3-16199-A00	TUBE COMP., AIR VENT	1	1	
E-18-10	6	HZY3-16751-000	PIPE, FUEL	1	1	
E-18-10	7	H759-16911-003	STRAINER, FUEL PUMP	1	1	
E-18-10	8	HZW5-16915-000	SUSPENSION, STRAINER	1	1	
E-18-10	9	HVM0-16965-771	CLAMP, HOSE	2	2	
E-18-10	10	HKY7-17450-740	CLIP, TUBE	2	2	
E-18-10	11	HZY3-17721-000	JOINT, FUEL RETURN	1	1	
E-18-10	12	HZY3-17723-A01	HOSE A, PRESSURE REGULATOR	1	1	RETURN
E-18-10	13	HZY3-17724-010	HOSE B, PRESSURE REGULATOR	1	1	RETURN
E-18-10	14	HZY3-19258-010	TUBE, WATER IN.	1	1	
E-18-10	15	HZY3-19259-000	TUBE, WATER OUTLET	1	1	
E-18-10	16	HZY6-19269-000	T-JOINT	1	1	
E-18-10	17	HZY6-36135-003	VALVE, CHECK	1	1	
E-18-10	18	HZW5-90601-030	CLAMP, TUBE(D10.7)	4	4	
E-18-10	19	HZY3-90601-030	CLAMP, TUBE(D10.5)	4	4	
E-18-10	20	HMB1-90655-921	CLIP, WIRE	1	1	
E-18-10	21	HSL0-91592-A51	CLAMP, FUEL TUBE	1	1	
E-18-10	22	HCO-95001-35055-40	TUBE, FUEL, 3.5X55	1	1	(HC-95001-35001-60M)
E-18-10	23	HCO-95003-05060-31	TUBE, VINYL, 3.5X6.5X600	1	1	(HC-95003-05001-60M)

FR. 

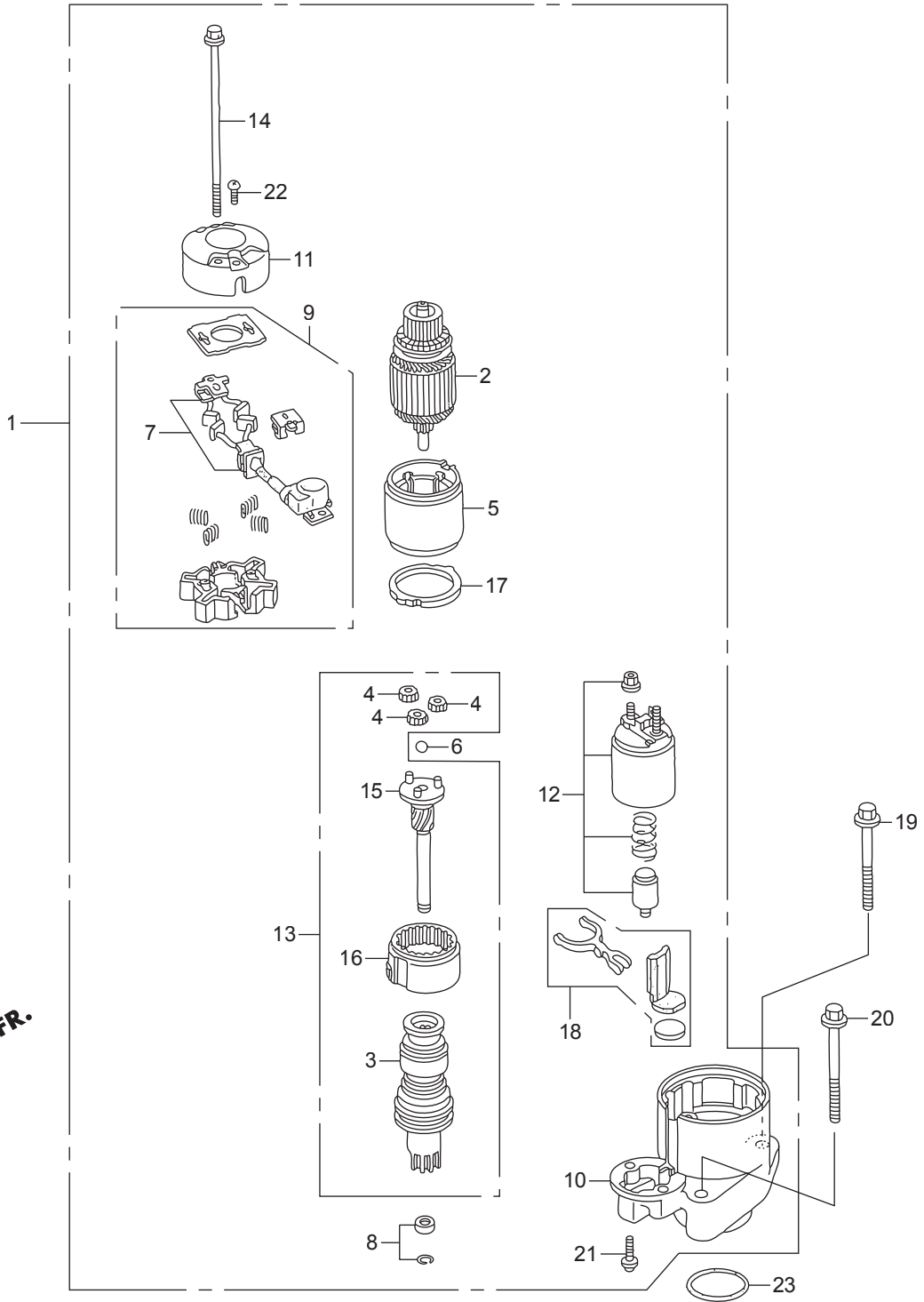


Ref.No.	Part No.	Description	Q' ty		Remarks	
			BFT200A	BFT225A		
E-19	1	HPR7-31105-A01	HOLDER ASSY., BRUSH	1	1	
E-19	2	HPT0-31111-003	BEARING, RR. GENERATOR	1	1	
E-19	3	HPT0-31114-013	BEARING, FR. GENERATOR	1	1	
E-19	4	HPT0-31118-003	BUSH, INSULATION	4	4	
E-19	5	HPD1-31138-004	COVER, BEARING	1	1	
E-19	6	HP13-31141-003	PULLEY	1	1	
E-19	7	HPD1-31142-004	NUT, PULLEY LOCK	1	1	
E-19	8	HPD1-31145-004	BOLT, STUD, 6X68	4	4	
E-19	9	HPT0-31146-003	SCREW	4	4	
E-19	10	HP13-31147-003	SCREW	1	1	
E-19	11	HPT0-31147-003	SCREW-WASHER	3	3	
E-19	12	HP13-31148-003	SCREW, WAVE WASHER	4	4	
E-19	13	HPT0-31148-003	SCREW, WAVE WASHER	2	2	
E-19	14	HZY3-31630-003	GENERATOR ASSY., A.C.	1	1	#~1300744 (BFT200A) #~1301519 (BFT225A)
E-19	14	HZY3-31630-013	GENERATOR ASSY., A.C.	1	1	#1300745~ (BFT200A) #1301520~ (BFT225A)
E-19	15	HZY3-31631-003	ROTOR ASSY.	1	1	
E-19	16	HZY3-31637-000	STAY, A.C. GENERATOR	1	1	
E-19	17	HZY3-31639-003	END COVER, RR.	1	1	
E-19	18	HZY3-31694-003	BUSH, INSULATION	1	1	
E-19	19	HZY3-31710-003	RECTIFIER ASSY.	1	1	
E-19	20	HZY3-31750-003	REGULATOR ASSY.	1	1	
E-19	21	HZX2-90002-000	BOLT, FLANGE, 10X90	1	1	
E-19	22	HZW5-90011-010	BOLT, SPECIAL ADJUSTER	1	1	
E-19	23	HZY3-90017-000	BOLT, FLANGE, 6X16	1	1	
E-19	24	HZY3-90055-000	BOLT, TENSIONER	1	1	
E-19	25	HZW5-90203-010	NUT, FLANGE, 8MM	1	1	
E-19	26	HPD1-90231-014	NUT-WASHER, 5MM	7	7	
E-19	27	HCO-94001-06080-0S	NUT, HEX., 6MM	1	1	

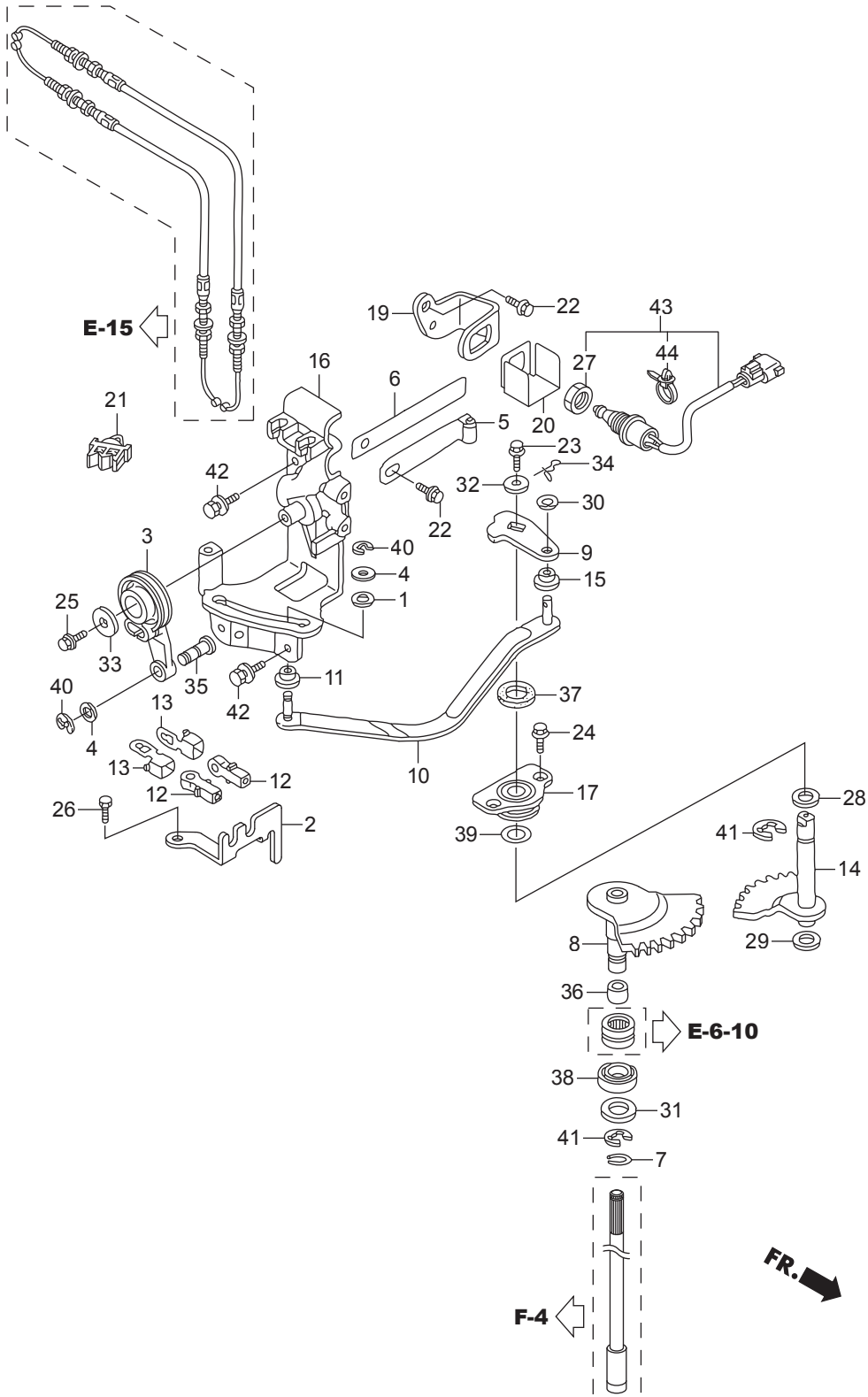




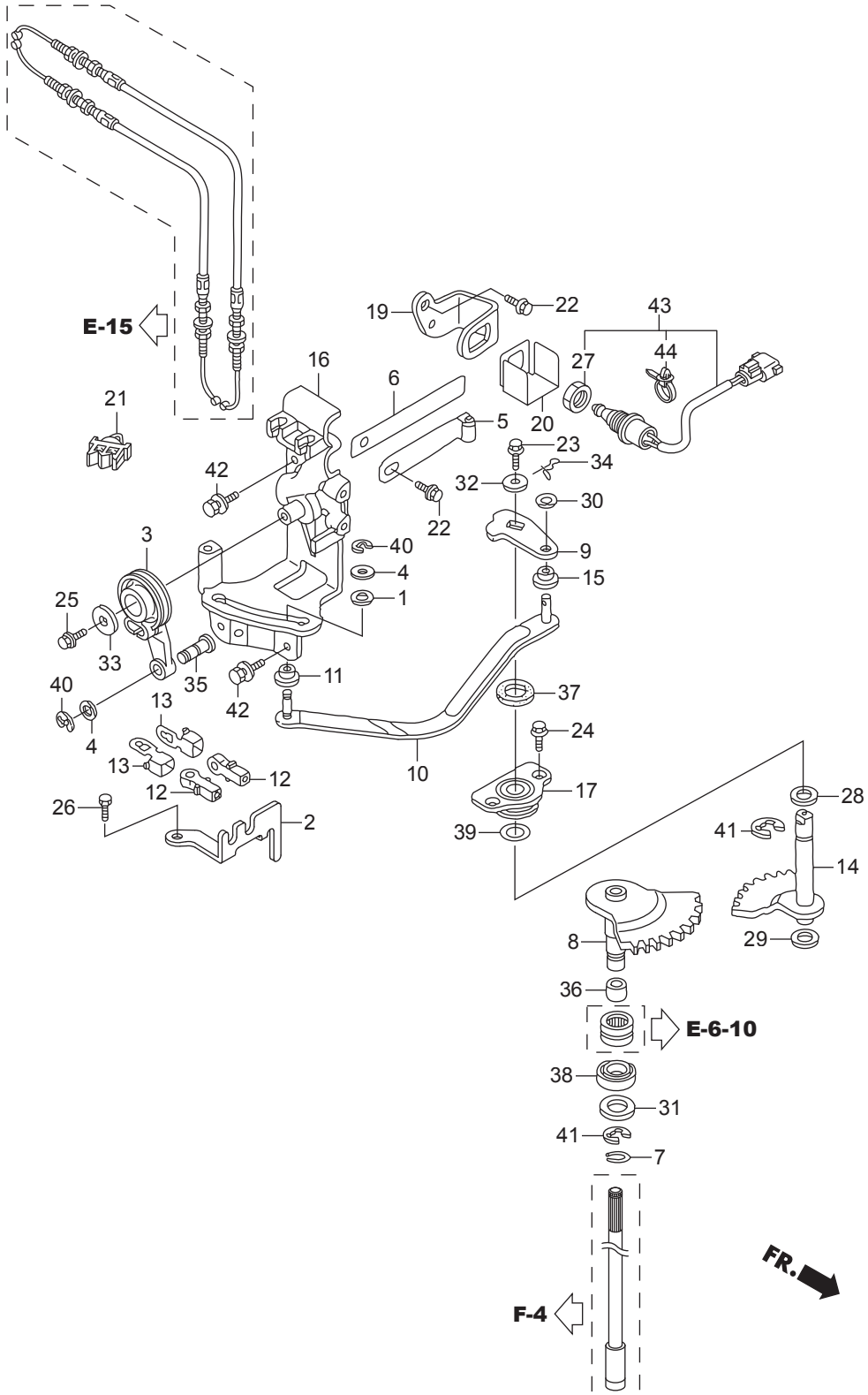
Ref.No.	Part No.	Description	Q' ty		Remarks	
			BFT200A	BFT225A		
E-20-11	1	HZX2-30416-000	CASE, ELECTRONIC PARTS	1	1	
E-20-11	2	HZY9-30419-003	GROMMET, ELECTRONIC PARTS CASE	4	4	
E-20-11	3	HZZ3-32101-000	BRACKET, A.C. GENERATOR FUSE	5	5	
E-20-11	4	HZY2-34750-E03	CONTROL UNIT, ELECTRONIC	1		#1300479~ #1800381~
E-20-11	4	HZY3-34750-E03	CONTROL UNIT, ELECTRONIC		1	#1301235~ #6000085~
E-20-11	5	HZY3-34754-C00	BRACKET, ECU	1	1	
E-20-11	6	HZY9-38553-003	GROMMET, RELAY BRACKET	4	4	
E-20-11	7	HZW2-90003-000	BOLT-WASHER, 6X27(CT200)	8	8	
E-20-11	8	HZW9-90014-000	BOLT, FLANGE, 6X10	5	5	
E-20-11	9	HZW5-90018-000	BOLT, FLANGE, 6X20	2	2	
E-20-11	10	HSA0-90683-003	CLIP, WIRE HARNESS, 25MM	1	1	
E-20-11	11	HZV5-91553-010	COLLAR, C.D.I. UNIT CASE	8	8	



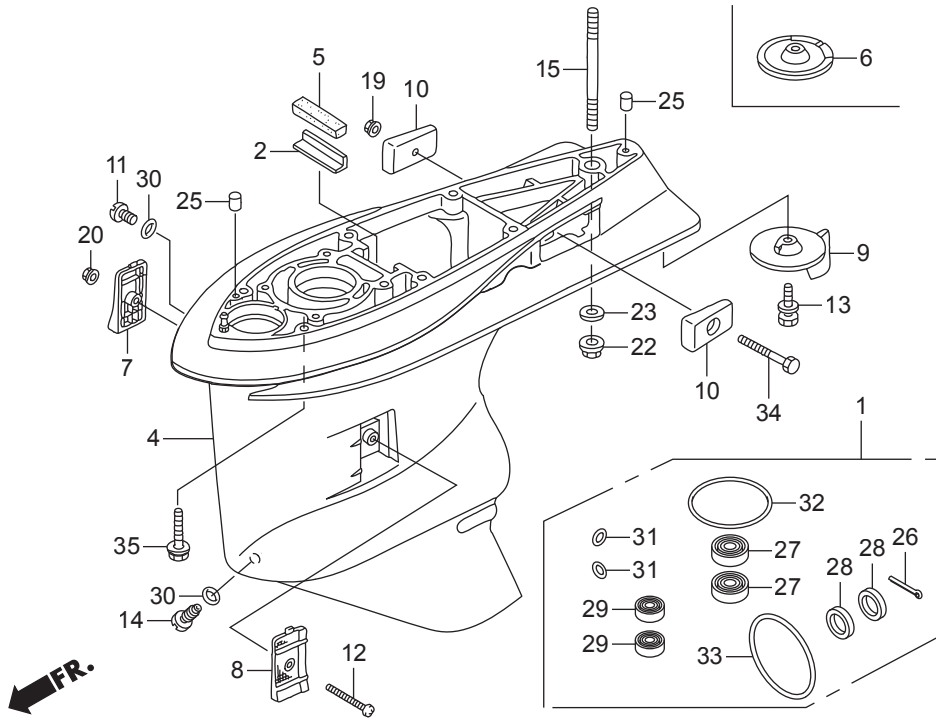
Ref.No.	Part No.	Description	Q' ty		Remarks	
			BFT200A	BFT225A		
E-21	1	HZY3-31200-003	MOTOR ASSY., STARTER	1	1	
E-21	2	HP5A-31201-005	ROTOR COMP.	1	1	
E-21	3	HZY3-31207-003	CLUTCH COMP., OVERRUNNING	1	1	
E-21	4	HPY3-31215-004	GEAR ASSY., PLANETARY	3	3	
E-21	5	HZY3-31216-003	YOKE COMP.	1	1	
E-21	6	HPY3-31218-004	BALL, STEEL	1	1	
E-21	7	HZW1-31226-004	BRUSH SET	1	1	
E-21	8	HZW1-31229-004	STOPPER SET, SLEEVE	1	1	
E-21	9	HZW1-31231-004	HOLDER COMP., BRUSH	1	1	
E-21	10	HZY3-31235-003	BRACKET, FR.	1	1	
E-21	11	HZY3-31236-003	BRACKET, RR.	1	1	
E-21	12	HZY3-31240-003	SWITCH ASSY., MAGNET	1	1	
E-21	13	HZY3-31242-003	SHAFT ASSY., CLUTCH	1	1	
E-21	14	HP5A-31243-005	BOLT A, THROUGH	2	2	
E-21	15	HZY3-31246-003	SHAFT ASSY., GEAR	1	1	
E-21	16	HZY3-31247-003	GEAR ASSY., INTERNAL	1	1	
E-21	17	HZY3-31249-003	PACKING	1	1	
E-21	18	HZY3-31250-003	LEVER SET	1	1	
E-21	19	HZY3-90002-000	BOLT, FLANGE, 10X90	1	1	
E-21	20	HZY3-90003-000	BOLT, FLANGE, 10X110	1	1	
E-21	21	HZW1-90106-004	SCREW, PAN, 6X22(SPECIAL)	2	2	
E-21	22	HZW1-90107-004	SCREW, PAN, 5X8	2	2	
E-21	23	HZY3-91303-000	O-RING, 59.4X3.1	1	1	



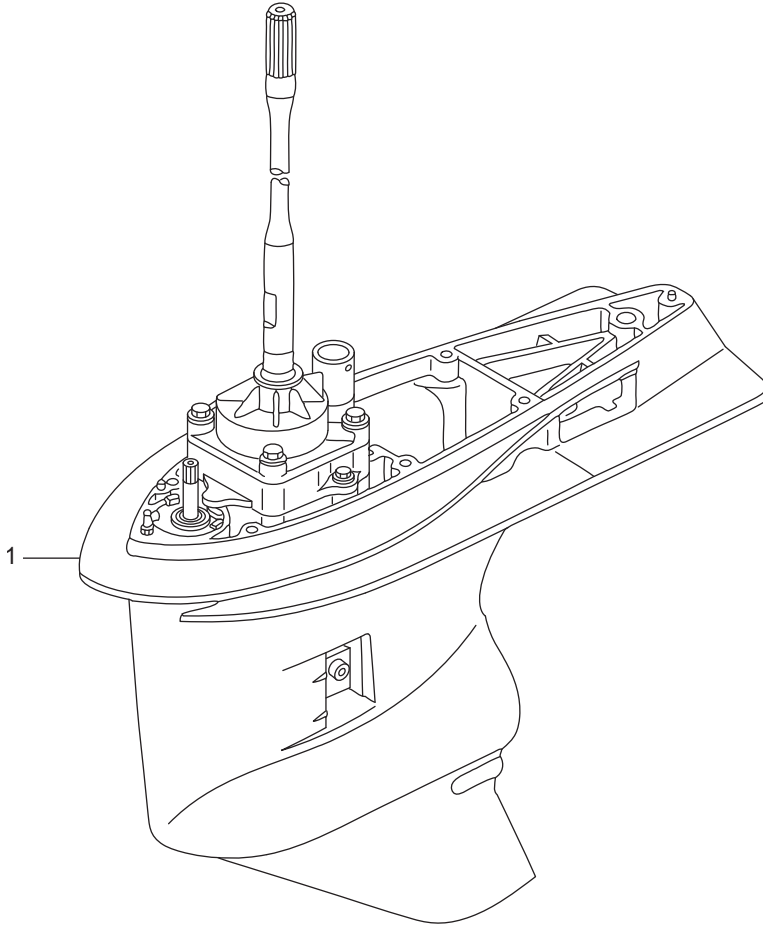
Ref.No.	Part No.	Description	Q' ty		Remarks	
			BFT200A	BFT225A		
F-2	1	HKN5-17224-670	WASHER, AIR CLEANER COVER	1	1	SETTING
F-2	2	HZY3-17877-000	PLATE, REMOTE CONTROL CABLE	1	1	
F-2	3	HZY3-17931-000	ARM, THROTTLE	1	1	
F-2	4	H921-17936-000	WASHER, PIVOT	2	2	
F-2	5	HZW1-24210-010	SPRING COMP., CLICK	1	1	
F-2	6	HZY3-24221-000	SPRING, CLICK ASSIST	1	1	
F-2	7	HZW1-24327-000	RING, STOPPER	1	1	
F-2	8	HZY3-24610-A00	SHAFT COMP., SHIFT(A)	1	1	
F-2	9	HZY3-24612-010	ARM, SHIFT	1	1	
F-2	10	HZY3-24613-000	ROD, LINK	1	1	
F-2	11	HZY3-24617-000	COLLAR, SHIFT SLIDER	1	1	
F-2	12	HZY3-24618-000	PIVOT, SHIFT	2	2	
F-2	13	HZY3-24619-000	PLATE, LOCK	2	2	
F-2	14	HZY3-24620-000	SHAFT COMP., SHIFT(B)	1	1	
F-2	15	HZY3-24623-000	BUSH, SHIFT ARM	1	1	
F-2	16	HZY3-24628-000	BRACKET, SHIFT LINK	1	1	
F-2	17	HZW1-24629-000	HOLDER, SEAL	1	1	
F-2	19	HZY3-35476-010	BRACKET, NEUTRAL SWITCH	1	1	
F-2	20	HZY3-35477-000	COVER, NEUTRAL SWITCH	1	1	
F-2	21	HS0X-46392-A01	CLIP, BRAKE PIPE	1	1	
F-2	22	HZW9-90011-000	BOLT, FLANGE, 6X14(CT200)	2	2	
F-2	23	HZY3-90017-000	BOLT, FLANGE, 6X16	1	1	
F-2	24	HZW5-90023-000	BOLT, FLANGE, 6X11	2	2	
F-2	25	HZW9-90102-000	BOLT, FLANGE, 6X12	1	1	
F-2	26	HZV4-90127-000	BOLT, HEX., 6X16	1	1	
F-2	27	HZV5-90302-003	NUT, HEX., 20MM	1	1	
F-2	28	HHA0-90402-000	WASHER, THRUST, 14MM	1	1	
F-2	29	H958-90428-000	WASHER B, THRUST, 14MM	1	1	
F-2	30	HZV4-90506-000	WASHER, PLAIN, 6MM	1	1	



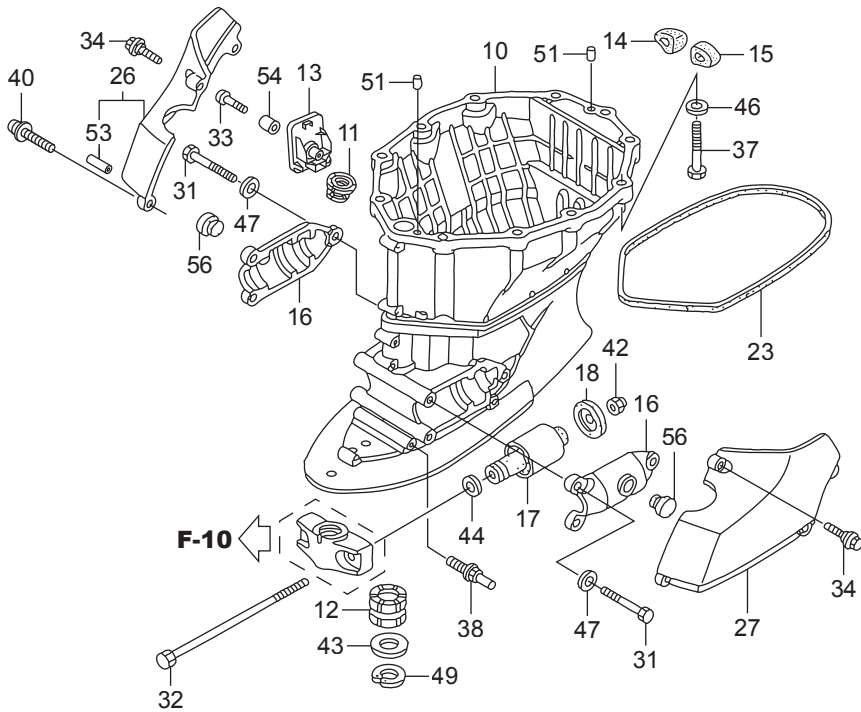
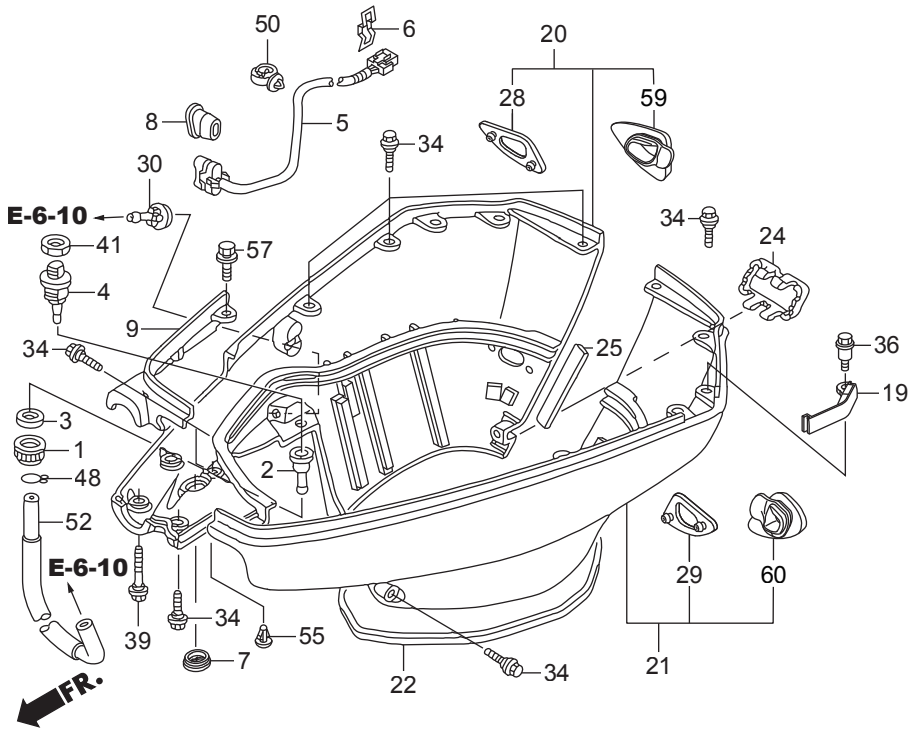
Ref.No.	Part No.	Description	Q' ty		Remarks	
			BFT200A	BFT225A		
F-2	31	HZV7-90508-000	WASHER	1	1	
F-2	32	HZY3-90508-000	WASHER, PLAIN, 6MM	1	1	
F-2	33	HZV4-90512-000	WASHER, PLAIN, 6MM	1	1	
F-2	34	HSD2-90705-931	PIN, SNAP, 6MM	1	1	
F-2	35	HZY3-90751-000	PIN, LINK	1	1	
F-2	36	HZY3-91152-003	RING, INNER(15X20X23)	1	1	
F-2	37	HZW5-91251-003	OIL SEAL, 14X26X6	1	1	
F-2	38	HZY3-91255-003	SEAL, WATER(14X26X8)	1	1	
F-2	39	HPF0-91302-003	O-RING, 26.9X2.4(NOK)	1	1	
F-2	40	HCO-94540-04029	E-RING, 4MM	2	2	
F-2	41	HCO-94540-12029	E-RING, 12MM	2	2	
F-2	42	HZX2-90101-C00	BOLT-WASHER, 6X16	3	3	
F-2	43	HZX2-35470-013	SWITCH ASSY., NEUTRAL	1	1	
F-2	44	HS0A-91541-003	CLIP, HARNESS BAND(BLACK)	1	1	(145MM)



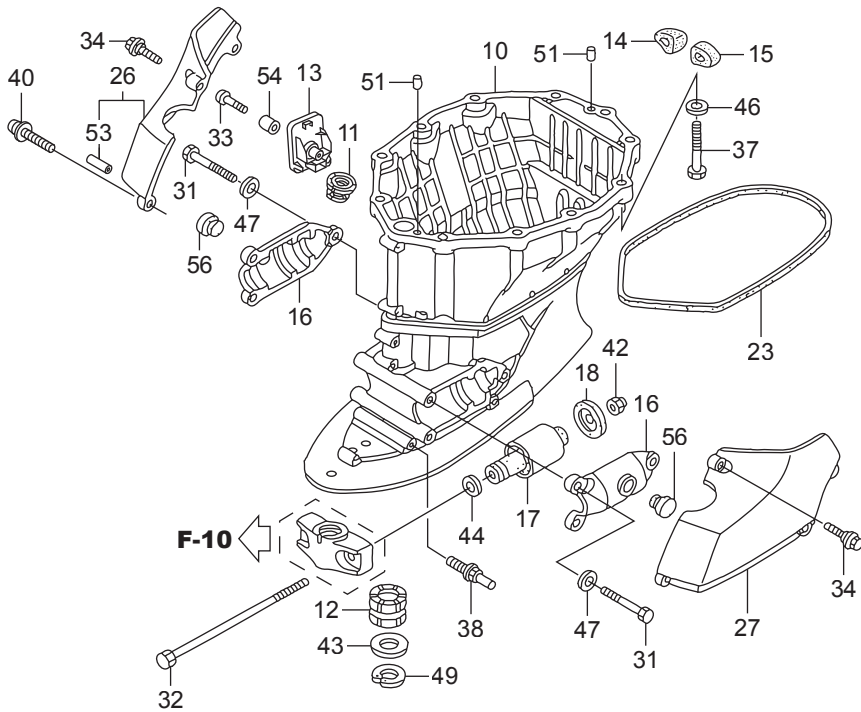
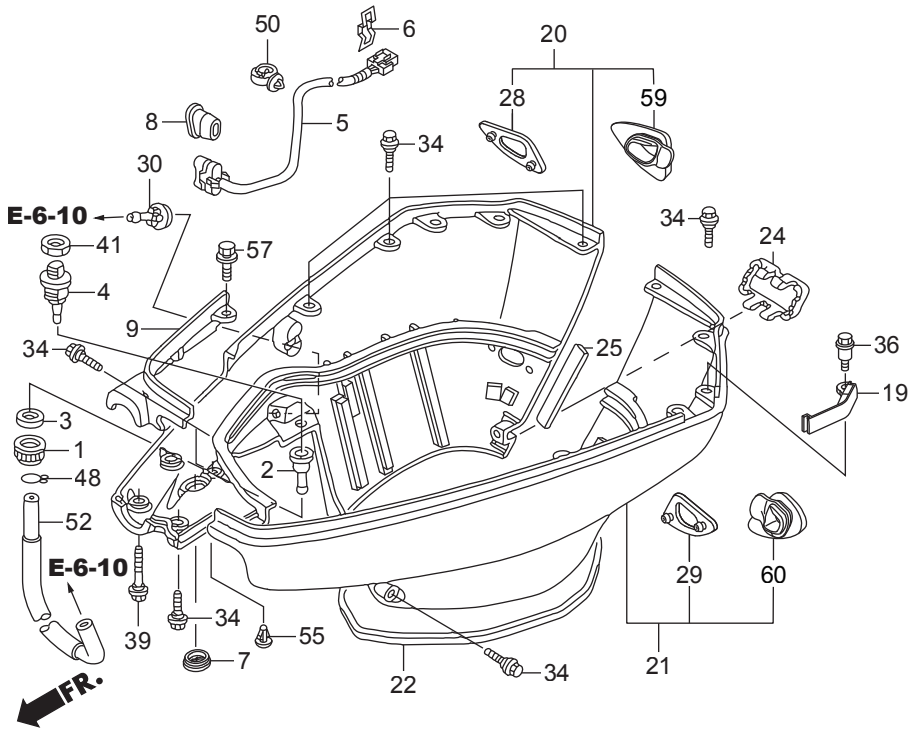
Ref.No.	Part No.	Description	Q' ty		Remarks	
			BFT200A	BFT225A		
F-3	1	HZY3-06125-C00	CASE KIT, GEAR	1	1	
F-3	2	HZW1-19286-B00	PLATE, RUBBER SETTING	1	1	
F-3	4	HZY3-41101-C00ZC	CASE, GEAR	1	1	*T107* BAY BLUE
F-3	5	HZW1-41102-B00	GROMMET, GEAR CASE	1	1	
F-3	6	HZX2-41102-E00ZC	COVER, GEAR CASE	1	1	*T107* BAY BLUE XCA
F-3	7	HZY3-41104-C01	SCREEN, R. WATER	1	1	
F-3	8	HZY3-41105-C01	SCREEN, L. WATER	1	1	
F-3	9	HZX2-41107-C00ZC	TAB, TRIM	1	1	*T107* BAY BLUE LA,XA
F-3	10	HZW1-41109-B00	METAL COMP., ANODE	2	2	
F-3	11	HZW9-90101-003	BOLT, OIL CHECK	1	1	
F-3	12	HZZ0-90101-000	SCREW, FLAT, 5X55	1	1	
F-3	13	HZY6-90103-000	BOLT-WASHER, 10X32	1	1	
F-3	14	HZY3-90120-000	BOLT, DRAIN PLUG	1	1	
F-3	15	HZY3-90124-000	BOLT, STUD, 12X40	1	1	
F-3	19	HZY1-90205-000	NUT, SELF-LOCK, 6MM	1	1	
F-3	20	HZV4-90302-000	NUT, SELF-LOCK, 5MM	1	1	
F-3	22	HZW1-90308-003	NUT, SELF-LOCK, 12MM	1	1	
F-3	23	HZV5-90559-000	WASHER, PLAIN, 12MM	1	1	
F-3	25	HZV5-90756-000	DOWEL PIN, 6X10	2	2	
F-3	26	HZW1-90758-B00	PIN, SPLIT, 4.0		1	
F-3	27	HZY3-91251-C01	SEAL, WATER, 26X42X7		2	
F-3	28	HZZ3-91252-003	SEAL, WATER, 30X45X7		2	
F-3	29	HZY3-91254-003	SEAL, WATER, 12X21X6		2	
F-3	30	HZW4-91301-003	O-RING, 6.9X1.45	2	2	
F-3	31	HZW4-91301-003	O-RING, 6.9X1.45		2	
F-3	32	HMJ0-91308-003	O-RING		1	
F-3	33	HZY3-91351-C00	O-RING, 110X3.1		1	
F-3	34	HCO-92101-06055-4J	BOLT, HEX., 6X55	1	1	
F-3	35	HZX2-90107-C00	BOLT-WASHER, 10X47	6	6	



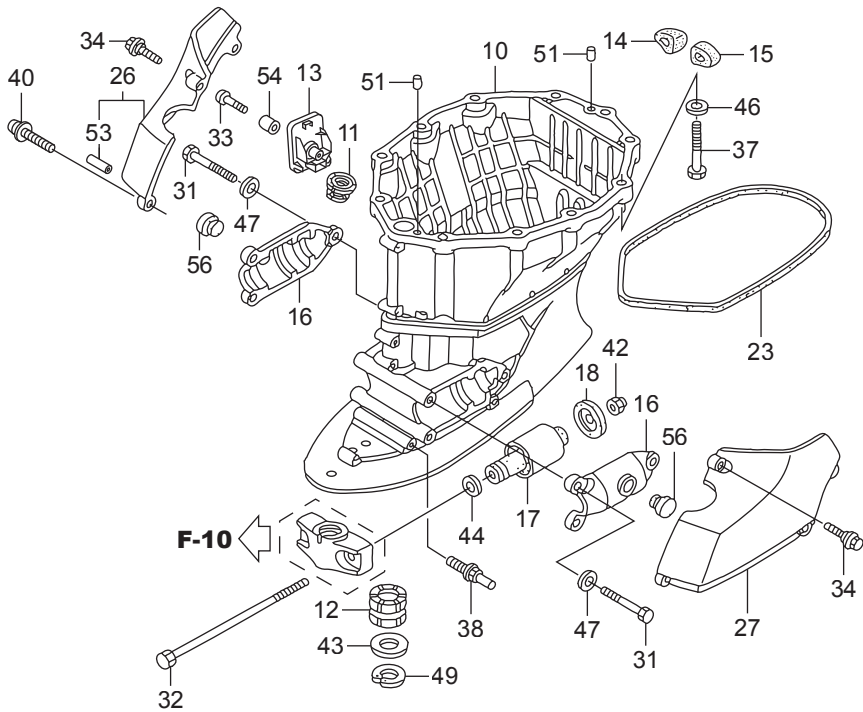
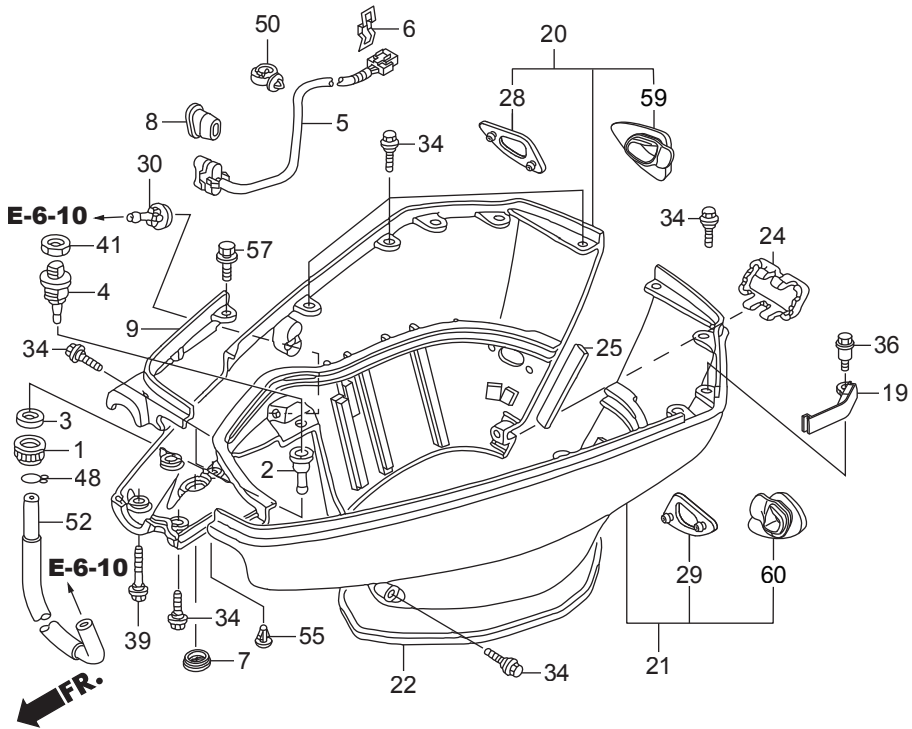
←FR.



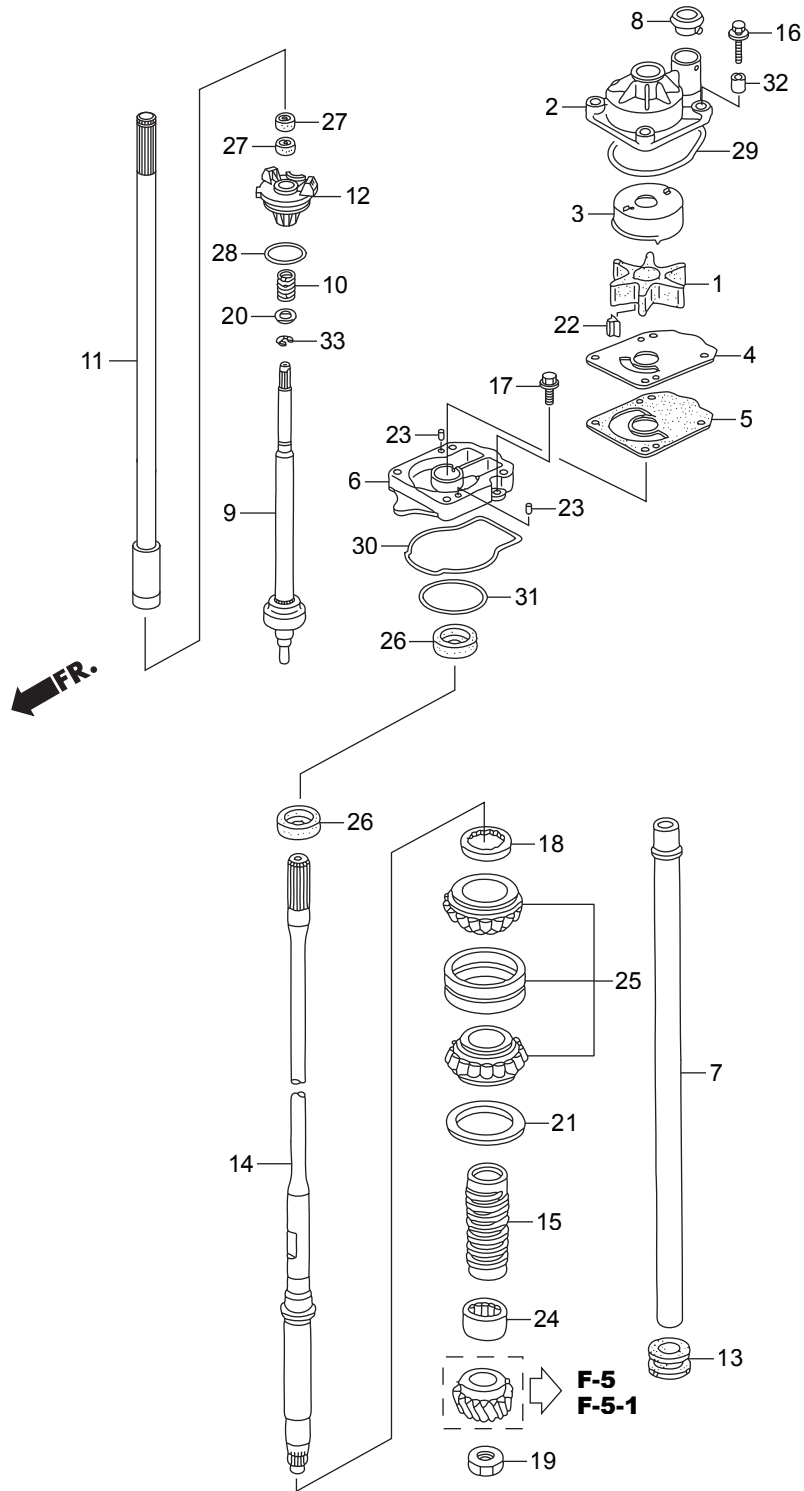
Ref.No.	Part No.	Description	Q' ty		Remarks	
			BFT200A	BFT225A		
F-3-20	1	HZY3-19270-000	NUT, WATER MOUTH	1	1	
F-3-20	2	HZY3-19271-000	JOINT, WATER HOSE	1	1	
F-3-20	3	HZY3-19272-000	SEAT, WATER MOUTH	1	1	
F-3-20	4	HZY3-19289-000	CAP, WATER JOINT	1	1	
F-3-20	5	HZY3-35640-013	SWITCH ASSY., POWER TILT	1	1	
F-3-20	6	HZY3-35645-000	STAY, POWER TILT SWITCH	1	1	
F-3-20	7	HZV5-40107-000	GROMMET, UNDER CASE(C)	1	1	
F-3-20	8	HZY3-40114-010	GROMMET, POWER TILT SWITCH	1	1	
F-3-20	9	HZY3-40151-000ZC	COVER, FR. SEPARATE	1	1	*T107* BAY BLUE
F-3-20	10	HZY3-40201-020ZC	CASE, EXTENSION	1	1	*T107* BAY BLUE LA
F-3-20	10	HZY3-40201-612ZC	CASE, EXTENSION	1	1	*T107* BAY BLUE XA,XCA
F-3-20	11	HZW1-40209-000	RUBBER, DRAIN PLUG	1	1	
F-3-20	12	HZY3-40210-610	BUSH COMP., VERTICAL SHAFT	1	1	XA,XCA
F-3-20	13	HZY3-40212-010ZC	COVER, DRAIN PLUG(L)	1	1	*T107* BAY BLUE LA
F-3-20	13	HZY3-40212-611ZC	COVER, DRAIN PLUG(XL)	1	1	*T107* BAY BLUE XA,XCA
F-3-20	14	HZY3-40225-010	SEAL, R. IDOL PORT	1		#~6000078 LA,XA
F-3-20	14	HZY3-40225-010	SEAL, R. IDOL PORT		1	#~6000093 LA,XA
F-3-20	15	HZY3-40226-010	SEAL, L. IDOL PORT	1		#~6000078 LA,XA
F-3-20	15	HZY3-40226-010	SEAL, L. IDOL PORT		1	#~6000093 LA,XA
F-3-20	16	HZY3-50111-020	HOUSING, LOWER MOUNTING	2	2	
F-3-20	17	HZY3-50155-000	MOUNT COMP., LOWER RUBBER	2	2	
F-3-20	18	HZY3-50157-010	STOPPER, LOWER MOUNT	2	2	
F-3-20	19	HZY3-63347-C00	COVER, PLUG MAINTENANCE	1	1	
F-3-20	20	HZY3-63710-C00ZC	COVER COMP., R. UNDER ENGINE	1		*T107* BAY BLUE #~6000078 LA,XA
F-3-20	20	HZY3-63710-C01ZC	COVER COMP., R. UNDER ENGINE	1		*T107* BAY BLUE #6000079~ LA,XA
F-3-20	20	HZY3-63710-C00ZC	COVER COMP., R. UNDER ENGINE		1	*T107* BAY BLUE #~6000093 LA,XA
F-3-20	20	HZY3-63710-C01ZC	COVER COMP., R. UNDER ENGINE		1	*T107* BAY BLUE #6000094~ LA,XA
F-3-20	21	HZY3-63715-C01ZC	COVER COMP., L. UNDER ENGINE	1		*T107* BAY BLUE #~6000078 LA,XA
F-3-20	21	HZY3-63715-C02ZC	COVER COMP., L. UNDER ENGINE	1		*T107* BAY BLUE #6000079~ LA,XA



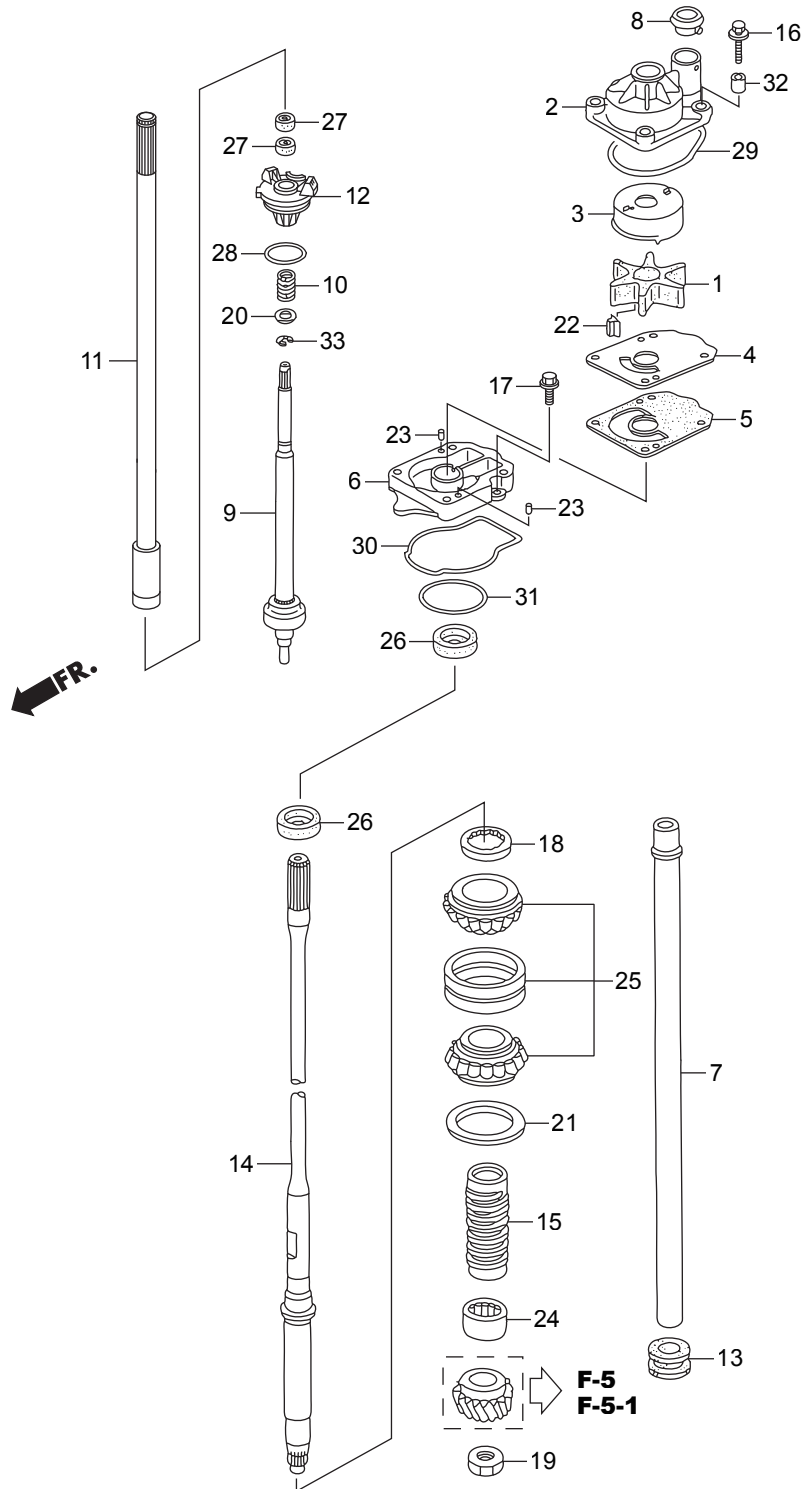
Ref.No.	Part No.	Description	Q' ty		Remarks
			BFT200A	BFT225A	
F-3-20	21	HZY3-63715-C01ZC		1	*T107* BAY BLUE #~6000093 LA,XA
F-3-20	21	HZY3-63715-C02ZC		1	*T107* BAY BLUE #6000094~ LA,XA
F-3-20	22	HZY3-63718-000	1	1	
F-3-20	23	HZX2-63719-C00	1	1	
F-3-20	24	HZY3-63722-010ZC	1	1	*T107* BAY BLUE
F-3-20	25	HZY3-63728-000	1	1	
F-3-20	26	HZY3-63731-A03ZC	1	1	*T107* BAY BLUE LA
F-3-20	26	HZY3-63731-A12ZC	1	1	*T107* BAY BLUE XA,XCA
F-3-20	27	HZY3-63736-A03ZC	1	1	*T107* BAY BLUE LA
F-3-20	27	HZY3-63736-A12ZC	1	1	*T107* BAY BLUE XA,XCA
F-3-20	28	HZY3-63751-C00	1		#~6000078
F-3-20	28	HZY3-63751-C00		1	#~6000093
F-3-20	29	HZY3-63756-C00	1		#~6000078
F-3-20	29	HZY3-63756-C00		1	#~6000093
F-3-20	30	HZV5-82873-003	1	1	
F-3-20	31	HZY3-90102-A00	6	6	
F-3-20	32	HZY3-90105-010	2	2	
F-3-20	33	HZV5-90110-000	1	1	
F-3-20	34	HZY3-90111-000	26	26	
F-3-20	36	HZY3-90113-C00	1	1	
F-3-20	37	HZY3-90122-000	11	11	
F-3-20	38	HZY3-90129-A00	2	2	
F-3-20	39	HZY3-90132-000	2	2	
F-3-20	40	HZY3-90134-000	1	1	LA
F-3-20	40	HCO-93500-06025-4J	1	1	XA,XCA
F-3-20	41	H921-90302-000	1	1	
F-3-20	42	HZY3-90302-000	2	2	
F-3-20	43	HZY3-90503-610	1	1	XA,XCA
F-3-20	44	HZY3-90511-000	2	2	



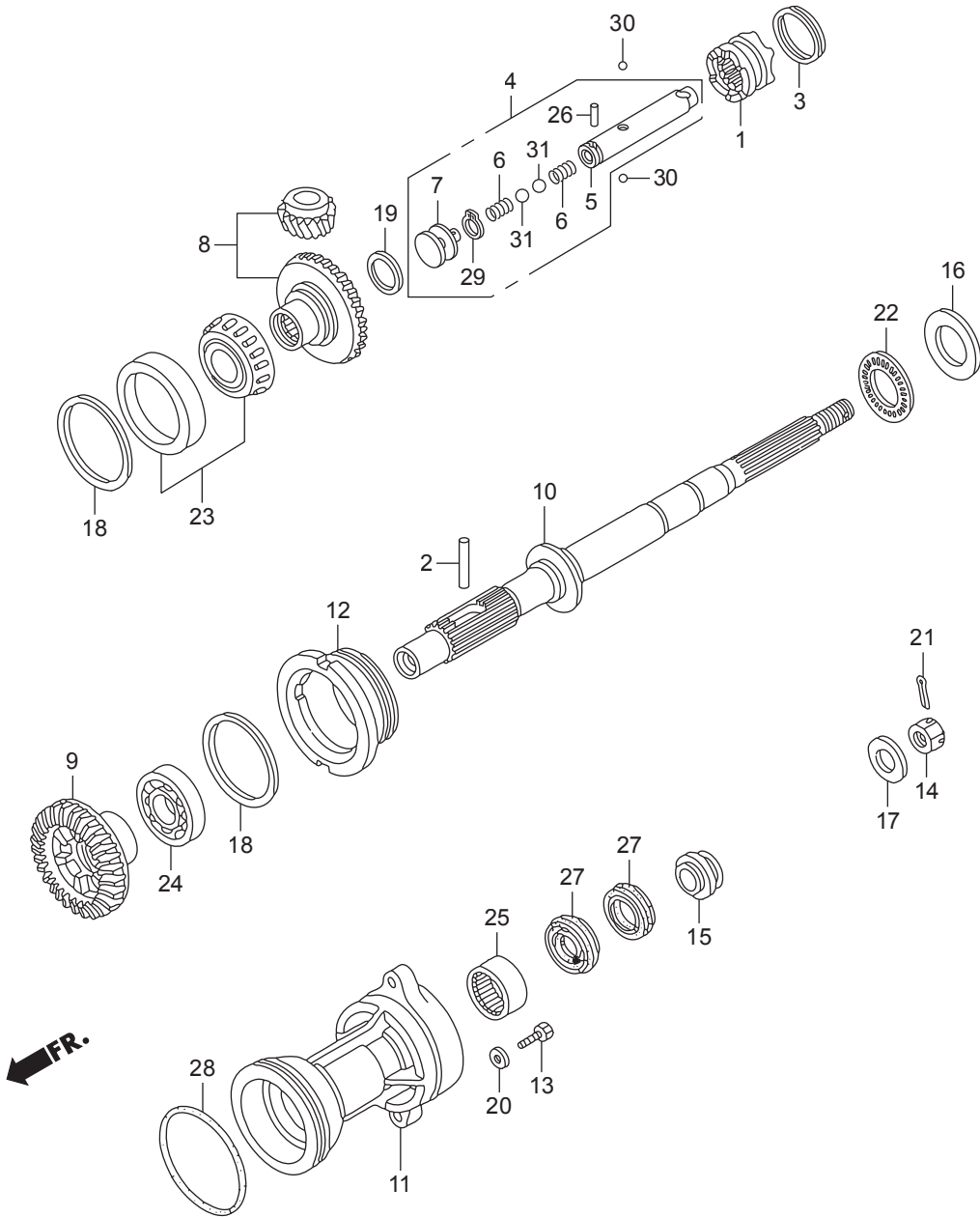
Ref.No.	Part No.	Description	Q' ty		Remarks	
			BFT200A	BFT225A		
F-3-20	46	HZV5-90559-000	WASHER, PLAIN, 12MM	11	11	
F-3-20	47	HZV5-90563-000	WASHER, PLAIN, 10MM	6	6	
F-3-20	48	HZV4-90605-000	CLIP, TUBE(B12.5)	1	1	
F-3-20	49	HZY3-90652-000	CIRCLIP, INTERNAL, 43	1	1	XA,XCA
F-3-20	50	HSA0-90683-003	CLIP, WIRE HARNESS, 25MM	1	1	
F-3-20	51	HZV5-90756-000	DOWEL PIN, 6X10	2	2	
F-3-20	52	HZY3-91451-000	TUBE, WATER JOINT	1	1	
F-3-20	53	HZY3-91552-000	COLLAR, 6.2X10X25.5	1	1	LA
F-3-20	53	HZY6-91553-000	COLLAR, DISTANCE, 6.5X9X5	1	1	XA,XCA
F-3-20	54	HZV5-91563-000	COLLAR, DISTANCE, 6X10.5X25	1	1	
F-3-20	55	HZY3-91651-003	PLUG, HOLE, 5MM	1	1	
F-3-20	56	HCO-95011-63000	RUBBER C, STAND STOPPER	2	2	
F-3-20	57	HZX2-90102-C00	BOLT-WASHER, 6X25	2	2	
F-3-20	59	HZY3-63751-C01	GROMMET, R. IDLE PORT	1		#6000079~ LA,XA
F-3-20	59	HZY3-63751-C01	GROMMET, R. IDLE PORT		1	#6000094~ LA,XA
F-3-20	60	HZY3-63756-C01	GROMMET, L. IDLE PORT	1		#6000079~ LA,XA
F-3-20	60	HZY3-63756-C01	GROMMET, L. IDLE PORT		1	#6000094~ LA,XA



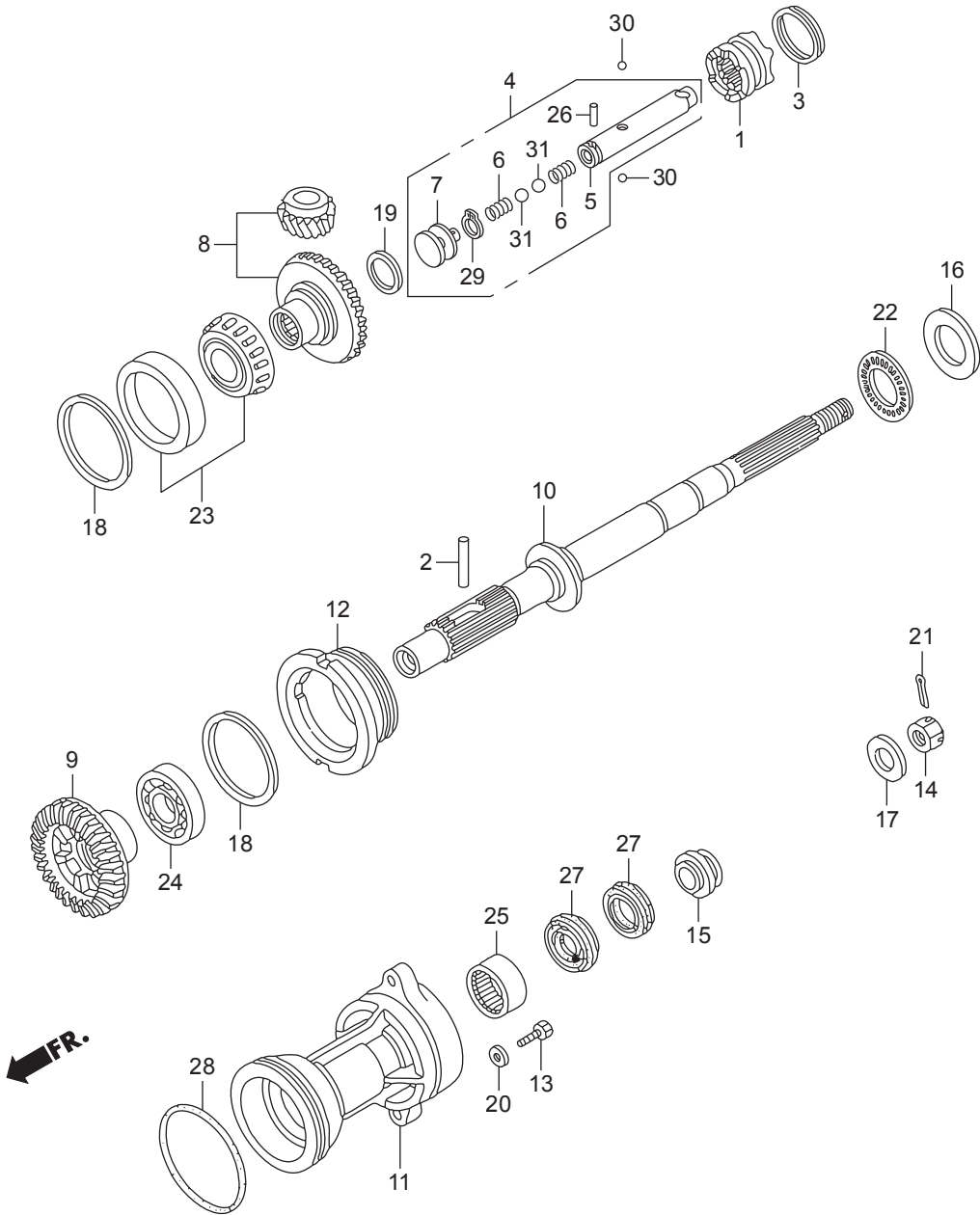
Ref.No.	Part No.	Description	Q' ty		Remarks	
			BFT200A	BFT225A		
F-4	1	HZY3-19210-003	IMPELLER, PUMP	1	1	
F-4	2	HZY3-19221-010	HOUSING, IMPELLER	1	1	
F-4	3	HZY3-19223-000	LINER, PUMP	1	1	
F-4	4	HZY3-19231-000	COVER, IMPELLER	1	1	
F-4	5	HZY3-19234-000	GASKET B, IMPELLER	1	1	
F-4	6	HZY3-19241-000	HOUSING, WATER PUMP	1	1	
F-4	7	HZY3-19251-000	TUBE, WATER(L)	1	1	LA
F-4	7	HZY3-19251-611	TUBE, WATER(XL)	1	1	XA,XCA
F-4	8	HZY3-19253-000	RING, WATER TUBE SEAL	1	1	
F-4	9	HZY3-24310-C00	ROD COMP., SHIFT	1	1	LA,XA
F-4	9	HZY3-24310-E00	ROD COMP., SHIFT	1	1	(COUNTER ROTATION) XCA
F-4	10	HZY3-24318-000	SPRING, SHIFT ROD	1	1	
F-4	11	HZY6-24320-000	ROD COMP. A, SHIFT(L)	1	1	LA
F-4	11	HZY6-24320-610	ROD COMP. A, SHIFT(XL)	1	1	XA,XCA
F-4	12	HZW1-24343-B02	HOLDER, SHIFT ROD	1	1	
F-4	13	HZY3-40204-000	GROMMET, EXTENSION CASE	1	1	
F-4	14	HZY3-41112-010	SHAFT, VERTICAL(L)	1	1	LA
F-4	14	HZY3-41112-611	SHAFT, VERTICAL(XL)	1	1	XA,XCA
F-4	15	HZY3-41116-000	SLINGER, OIL	1	1	
F-4	16	HZX2-90105-C00	BOLT, WASHER, 8X60	4	4	
F-4	17	HHW1-90215-671	BOLT, FLANGE, 6X16	1	1	
F-4	18	HZW1-90242-000	NUT, LOCK, 64MM	1	1	
F-4	19	HZY3-90303-000	NUT, HEX., 18MM	1	1	
F-4	20	H723-90472-000	WASHER, PLAIN, 12MM	1	1	
F-4	21	HZW1-90518-B00	SHIM A, GEAR(0.10)	1	1	
F-4	21	HZW1-90519-B00	SHIM B, GEAR(0.15)	1	1	
F-4	21	HZW1-90520-B00	SHIM C, GEAR(0.30)	1	1	
F-4	21	HZW1-90521-B00	SHIM D, GEAR(0.50)	1	1	
F-4	22	HZY3-90752-003	KEY, WOODRUFF	1	1	



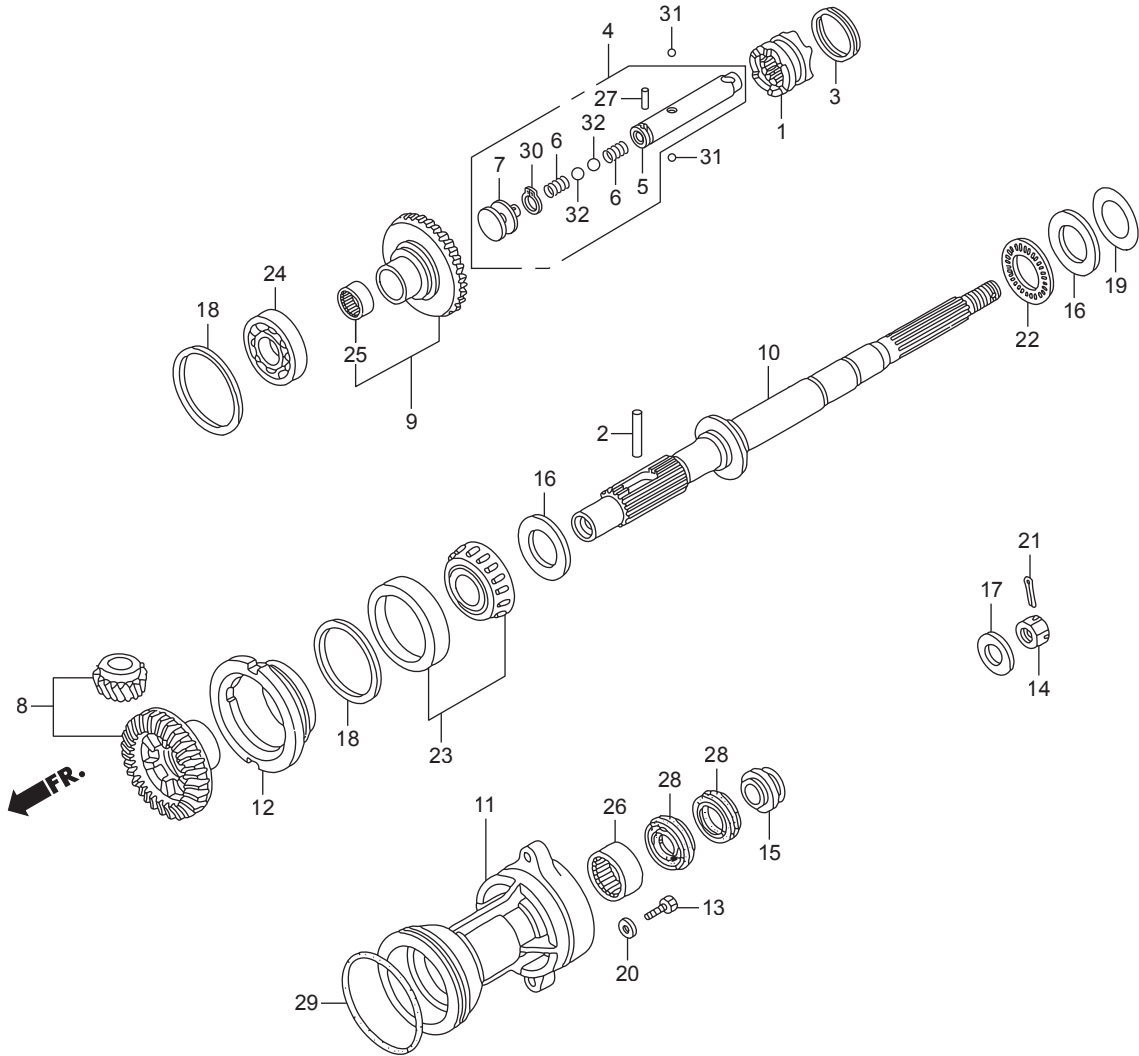
Ref.No.	Part No.	Description	Q'ty		Remarks	
			BFT200A	BFT225A		
F-4	23	HZV5-90756-000	DOWEL PIN, 6X10	2	2	
F-4	24	HZY3-91053-003	BEARING, NEEDLE, 32X46X37	1	1	
F-4	25	HZW1-91054-B31	BEARING, TAPER ROLLER,	1	1	30X62X40
F-4	26	HZY3-91251-C01	SEAL, WATER, 26X42X7	2	2	
F-4	27	HZY3-91254-003	SEAL, WATER, 12X21X6	2	2	
F-4	28	HMJ0-91308-003	O-RING	1	1	
F-4	29	HZY3-91356-003	O-RING, WATER PUMP	1	1	
F-4	30	HZY3-91358-003	O-RING, WATER PUMP HOUSING	1	1	
F-4	31	HZY3-91359-003	O-RING, 69.1X2.4	1	1	
F-4	32	HZY3-91551-000	COLLAR, DISTANCE	4	4	
F-4	33	HCO-94540-10019	E-RING, 10MM	1	1	



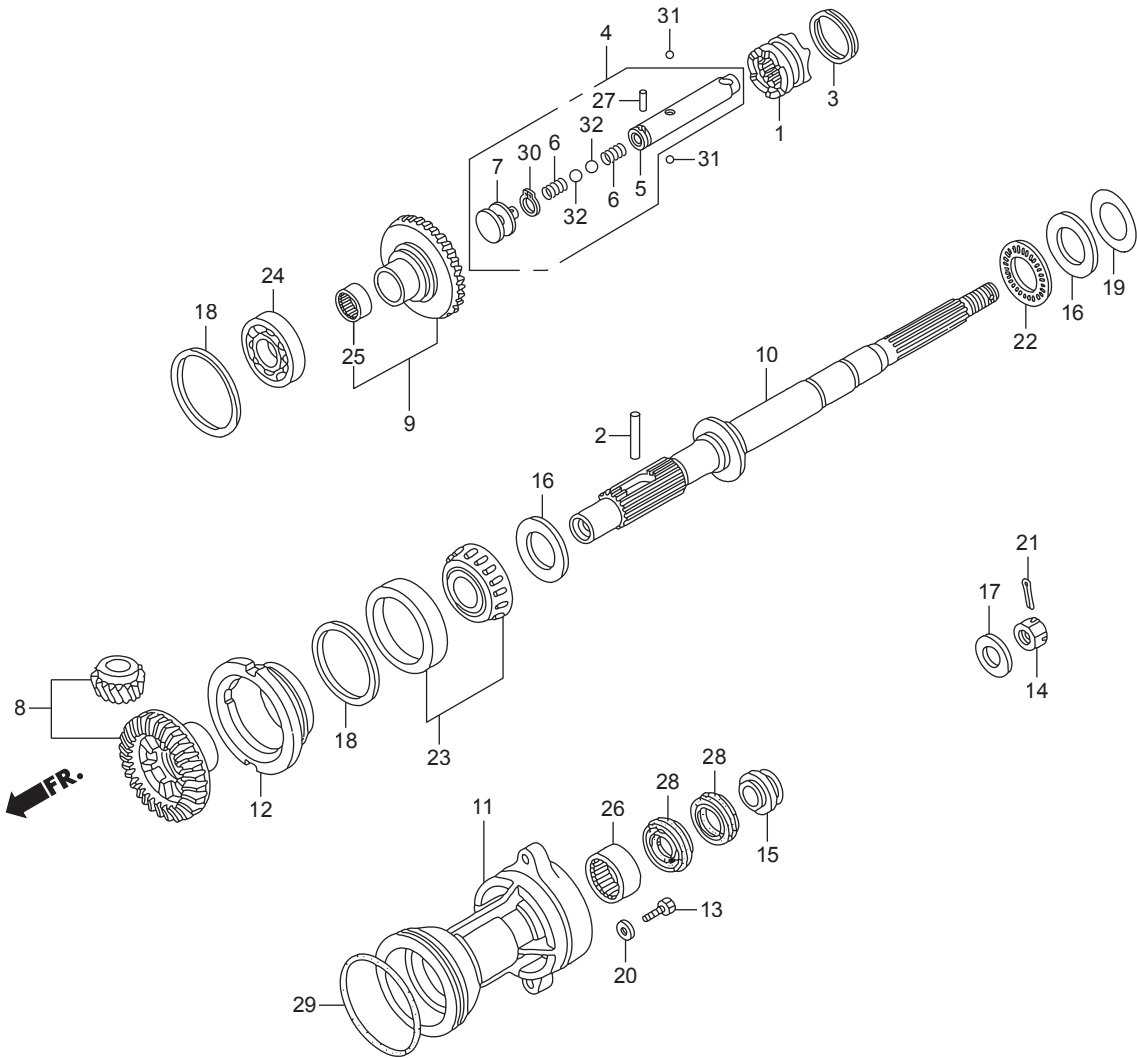
Ref.No.	Part No.	Description	Q' ty		Remarks	
			BFT200A	BFT225A		
F-5	1	HZY3-24101-A01	SHIFTER, CLUTCH	1	1	LA,XA
F-5	2	HZY3-24102-000	PIN, SHIFTER, 8X50	1	1	LA,XA
F-5	3	HZY3-24103-000	RING, CROSS PIN	1	1	LA,XA
F-5	4	HZY3-24113-A01	SLIDER COMP., SHIFT	1	1	LA,XA
F-5	5	HZY3-24122-A01	SLIDER, SHIFT	1	1	LA,XA
F-5	6	HZY3-24123-000	SPRING, SHIFT	2	2	LA,XA
F-5	7	HZY3-24124-310	PLATE, SHIFT	1	1	LA,XA
F-5	8	HZY3-41130-C00	GEAR SET	1	1	LA,XA
F-5	9	HZY3-41151-C00	GEAR, BEVEL(RVS. 28T)	1	1	LA,XA
F-5	10	HZY3-41161-A00	SHAFT, PROPELLER	1	1	LA,XA
F-5	11	HZY3-41201-C00ZC	HOLDER, PROPELLER SHAFT	1	1	*T107* BAY BLUE LA,XA
F-5	12	HZY3-41202-000	HOLDER, BEARING	1	1	LA,XA
F-5	13	HZY3-90123-000	BOLT, HEX., 12X45	2	2	LA,XA
F-5	14	HZW1-90301-B00	NUT, CASTLE, 18MM	1	1	LA,XA
F-5	15	HZY3-90506-000	WASHER, PROPELLER THRUST	1	1	LA,XA
F-5	16	HZW5-90509-711	WASHER, THRUST BEARING	1	1	LA,XA
F-5	17	HZY3-90512-000	WASHER, PROPELLER	1	1	LA,XA
F-5	18	HZY3-90528-000	SHIM A, BEVEL(0.10)	2	2	LA,XA
F-5	18	HZY3-90529-000	SHIM B, BEVEL(0.15)	2	2	LA,XA
F-5	18	HZY3-90530-000	SHIM C, BEVEL(0.30)	2	2	LA,XA
F-5	18	HZY3-90531-000	SHIM D, BEVEL(0.50)	2	2	LA,XA
F-5	19	HZY3-90548-000	SHIM A, THRUST(2.75)	1	1	LA,XA
F-5	19	HZY3-90549-000	SHIM B, THRUST(2.80)	1	1	LA,XA
F-5	19	HZY3-90550-000	SHIM C, THRUST(2.85)	1	1	LA,XA
F-5	19	HZY3-90551-000	SHIM D, THRUST(2.90)	1	1	LA,XA
F-5	19	HZY3-90552-000	SHIM E, THRUST(2.95)	1	1	LA,XA
F-5	19	HZY3-90553-000	SHIM F, THRUST(3.00)	1	1	LA,XA
F-5	19	HZY3-90554-000	SHIM G, THRUST(3.05)	1	1	LA,XA
F-5	19	HZY3-90555-000	SHIM H, THRUST(3.10)	1	1	LA,XA



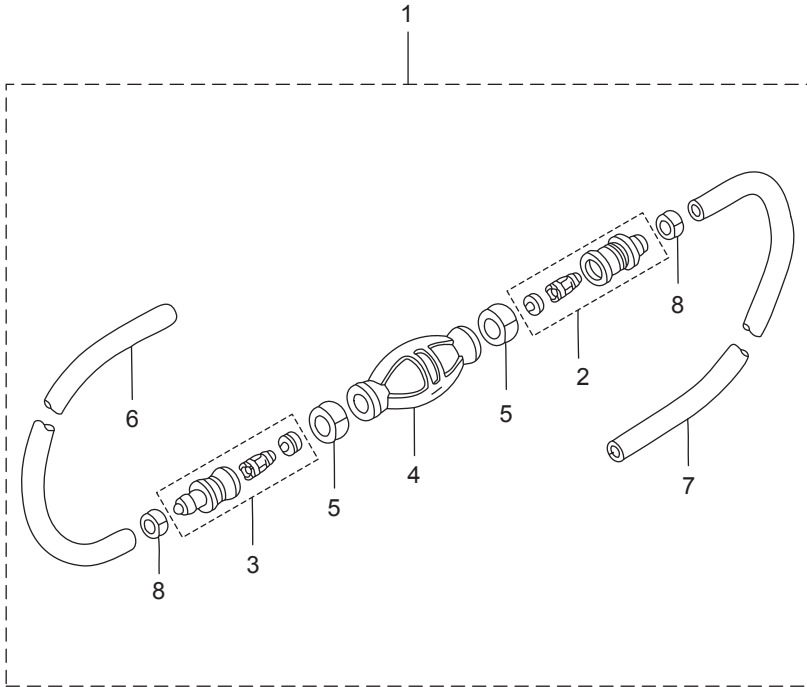
Ref.No.	Part No.	Description	Q' ty		Remarks	
			BFT200A	BFT225A		
F-5	19	HZY3-90556-000	SHIM I, THRUST(2.70)	1	1	LA,XA
F-5	19	HZY3-90557-000	SHIM J, THRUST(2.65)	1	1	LA,XA
F-5	19	HZY3-90558-000	SHIM K, THRUST(2.60)	1	1	LA,XA
F-5	19	HZY3-90559-000	SHIM L, THRUST(2.55)	1	1	LA,XA
F-5	19	HZY3-90560-000	SHIM M, THRUST(2.50)	1	1	LA,XA
F-5	20	HZV5-90559-000	WASHER, PLAIN, 12MM	2	2	LA,XA
F-5	21	HZW1-90758-B00	PIN, SPLIT, 4.0	1	1	LA,XA
F-5	22	HPT2-91005-N01	BEARING, THRUST(F)	1	1	LA,XA
F-5	23	HZY3-91051-003	BEARING, TAPER, 50X90X21.5	1	1	LA,XA
F-5	24	HZY3-91055-003	BEARING, ANGULAR, 50X90X30.2	1	1	LA,XA
F-5	25	HZY3-91057-003	BEARING, NEEDLE, 32X42X30	1	1	LA,XA
F-5	26	HZY3-91151-000	ROLLER, 3X13.8	1	1	LA,XA
F-5	27	HZZ3-91252-003	SEAL, WATER, 30X45X7	2	2	LA,XA
F-5	28	HZY3-91351-C00	O-RING, 110X3.1	1	1	LA,XA
F-5	29	HCO-94510-15000	CIRCLIP, EXTERNAL, 15MM	1	1	LA,XA
F-5	30	HCO-96211-07000	BALL, STEEL, #7(7/32)	2	2	LA,XA
F-5	31	HCO-96211-12000	BALL, STEEL, #12(3/8)	2	2	LA,XA

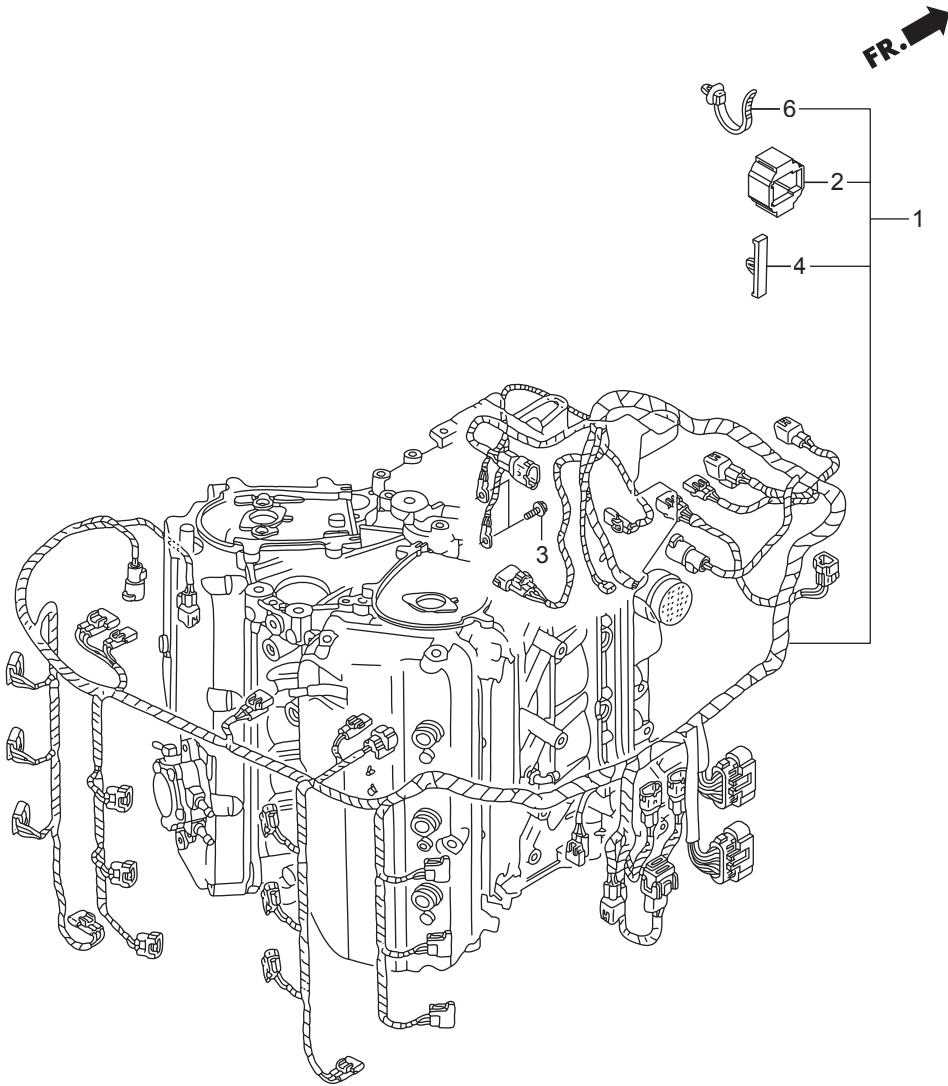


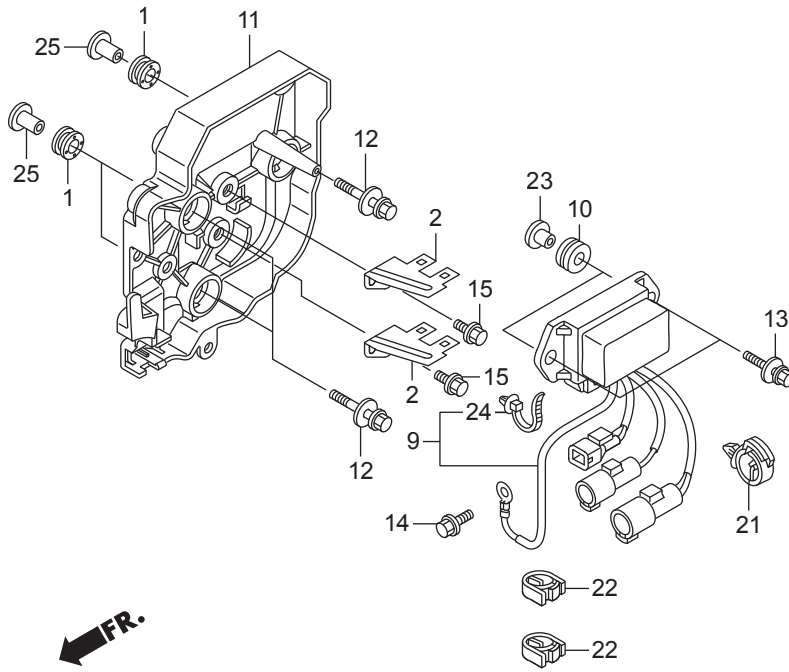
Ref.No.	Part No.	Description	Q' ty		Remarks	
			BFT200A	BFT225A		
F-5-1	1	HZY3-24101-A01	SHIFTER, CLUTCH	1	1	XCA
F-5-1	2	HZY3-24102-000	PIN, SHIFTER, 8X50	1	1	XCA
F-5-1	3	HZY3-24103-000	RING, CROSS PIN	1	1	XCA
F-5-1	4	HZY3-24113-A01	SLIDER COMP., SHIFT	1	1	XCA
F-5-1	5	HZY3-24122-A01	SLIDER, SHIFT	1	1	XCA
F-5-1	6	HZY3-24123-000	SPRING, SHIFT	2	2	XCA
F-5-1	7	HZY3-24124-310	PLATE, SHIFT	1	1	XCA
F-5-1	8	HZY3-41130-E00	GEAR SET(COUNTER ROTATION)	1	1	XCA
F-5-1	9	HZY3-41150-E00	GEAR COMP., BEVEL(RVS. 28T)	1	1	(COUNTER ROTATION) XCA
F-5-1	10	HZY3-41161-B00	SHAFT, PROPELLER	1	1	(COUNTER ROTATION) XCA
F-5-1	11	HZY3-41201-C00ZC	HOLDER, PROPELLER SHAFT	1	1	*T107* BAY BLUE XCA
F-5-1	12	HZY3-41202-700	HOLDER, BEARING(C/R)	1	1	XCA
F-5-1	13	HZY3-90123-000	BOLT, HEX., 12X45	2	2	XCA
F-5-1	14	HZW1-90301-B00	NUT, CASTLE, 18MM	1	1	XCA
F-5-1	15	HZY3-90506-000	WASHER, PROPELLER THRUST	1	1	XCA
F-5-1	16	HZW5-90509-711	WASHER, THRUST BEARING	2	2	XCA
F-5-1	17	HZY3-90512-000	WASHER, PROPELLER	1	1	XCA
F-5-1	18	HZY3-90528-000	SHIM A, BEVEL(0.10)	2	2	XCA
F-5-1	18	HZY3-90529-000	SHIM B, BEVEL(0.15)	2	2	XCA
F-5-1	18	HZY3-90530-000	SHIM C, BEVEL(0.30)	2	2	XCA
F-5-1	18	HZY3-90531-000	SHIM D, BEVEL(0.50)	2	2	XCA
F-5-1	19	HZW5-90548-710	SHIM A, THRUST(0.10)	1	1	XCA
F-5-1	19	HZW5-90549-710	SHIM B, THRUST(0.15)	1	1	XCA
F-5-1	19	HZW5-90550-710	SHIM C, THRUST(0.30)	1	1	XCA
F-5-1	19	HZW5-90551-710	SHIM D, THRUST(0.50)	1	1	XCA
F-5-1	20	HZV5-90559-000	WASHER, PLAIN, 12MM	2	2	XCA
F-5-1	21	HZW1-90758-B00	PIN, SPLIT, 4.0	1	1	XCA
F-5-1	22	HPT2-91005-N01	BEARING, THRUST(F)	1	1	XCA
F-5-1	23	HZY3-91051-003	BEARING, TAPER, 50X90X21.5	1	1	XCA



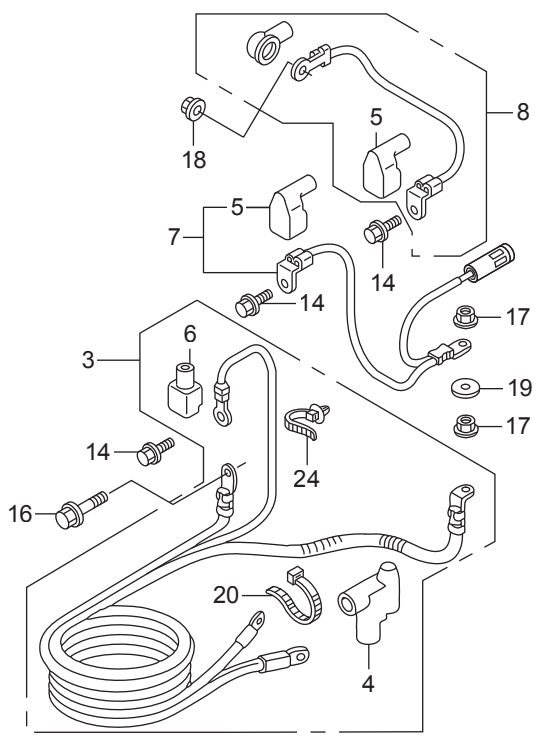
Ref.No.	Part No.	Description	Q' ty		Remarks	
			BFT200A	BFT225A		
F-5-1	24	HZY3-91055-003	BEARING, ANGULAR, 50X90X30.2	1	1	XCA
F-5-1	25	HZY3-91056-711	BEARING, NEEDLE, 28X39X30	1	1	XCA
F-5-1	26	HZY3-91057-003	BEARING, NEEDLE, 32X42X30	1	1	XCA
F-5-1	27	HZY3-91151-000	ROLLER, 3X13.8	1	1	XCA
F-5-1	28	HZZ3-91252-003	SEAL, WATER, 30X45X7	2	2	XCA
F-5-1	29	HZY3-91351-C00	O-RING, 110X3.1	1	1	XCA
F-5-1	30	HCO-94510-15000	CIRCLIP, EXTERNAL, 15MM	1	1	XCA
F-5-1	31	HCO-96211-07000	BALL, STEEL, #7(7/32)	2	2	XCA
F-5-1	32	HCO-96211-12000	BALL, STEEL, #12(3/8)	2	2	XCA



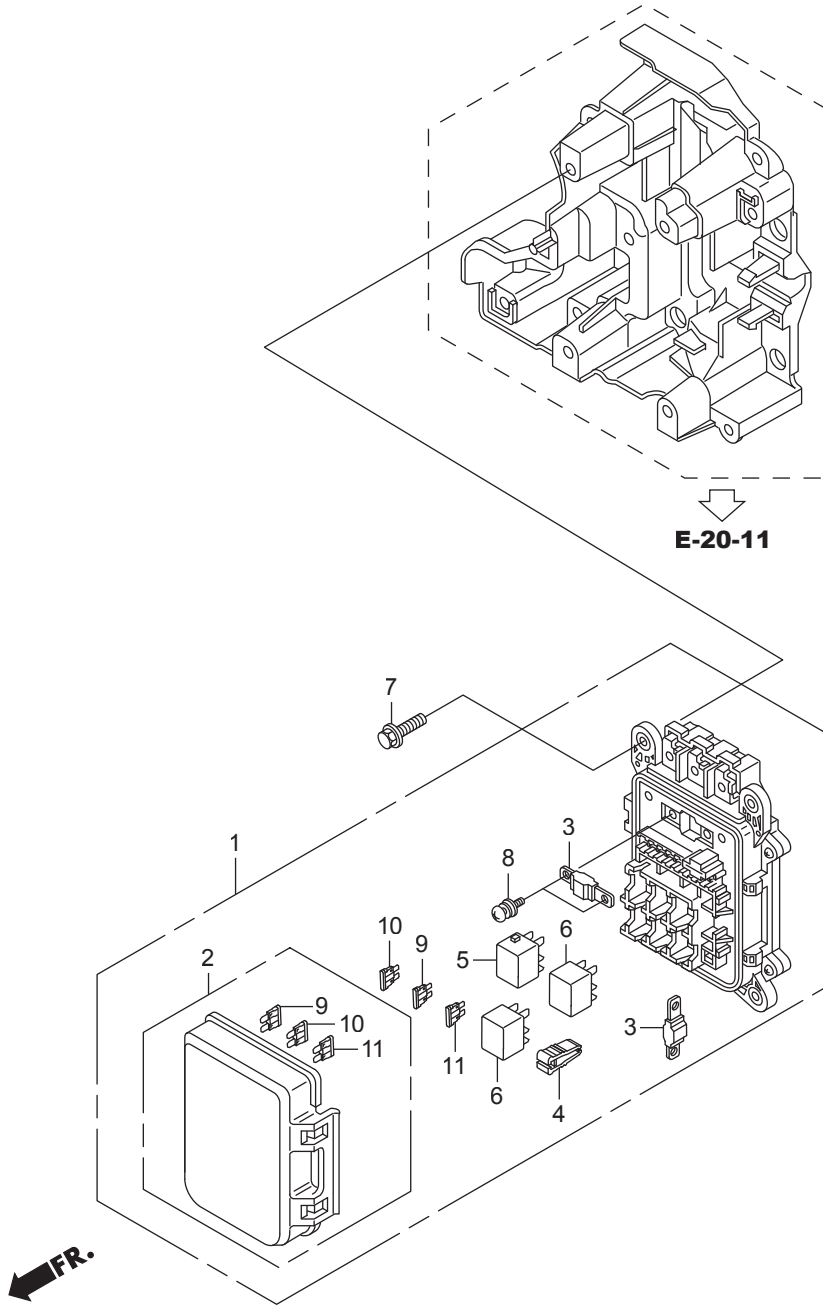


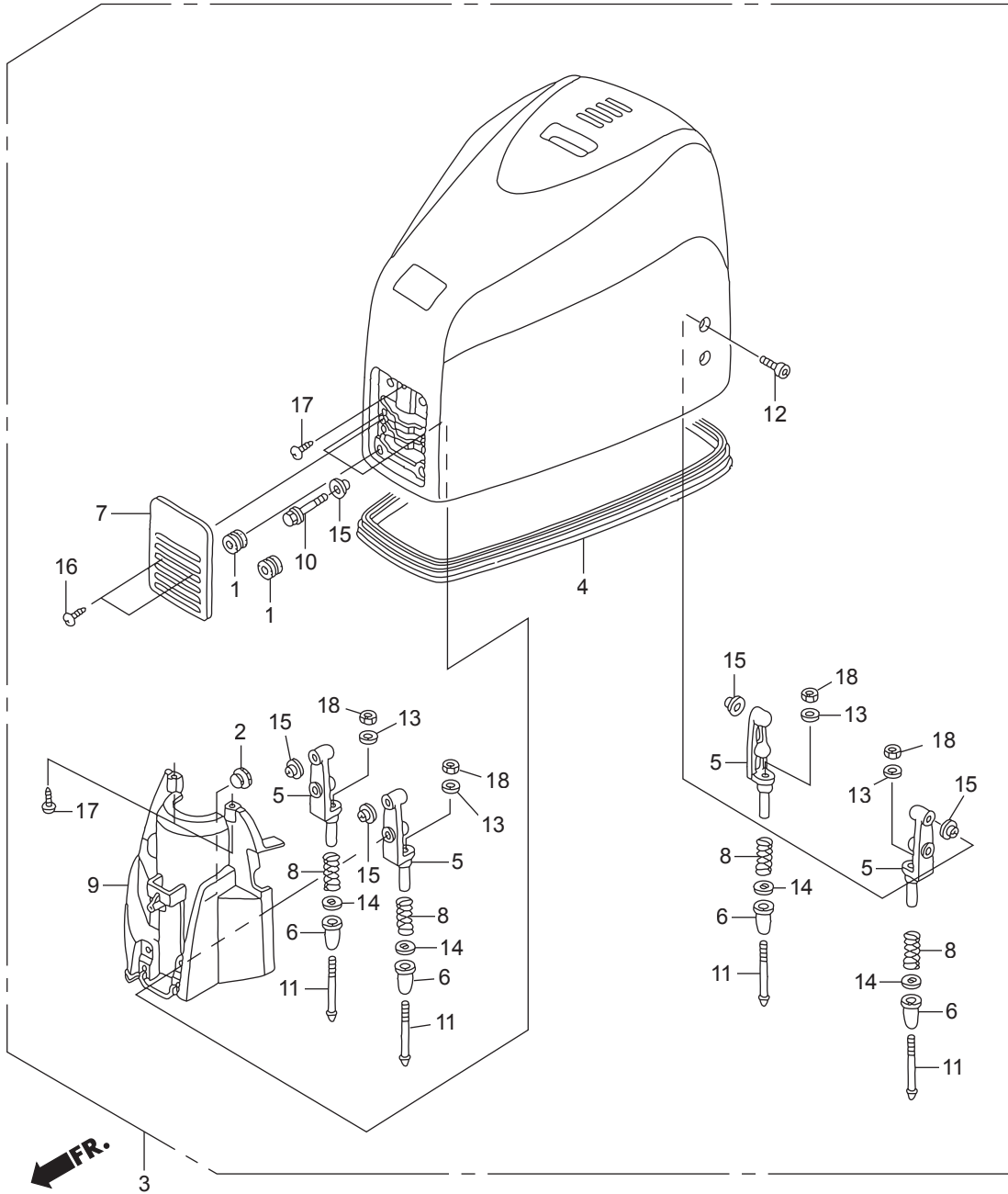


FR.

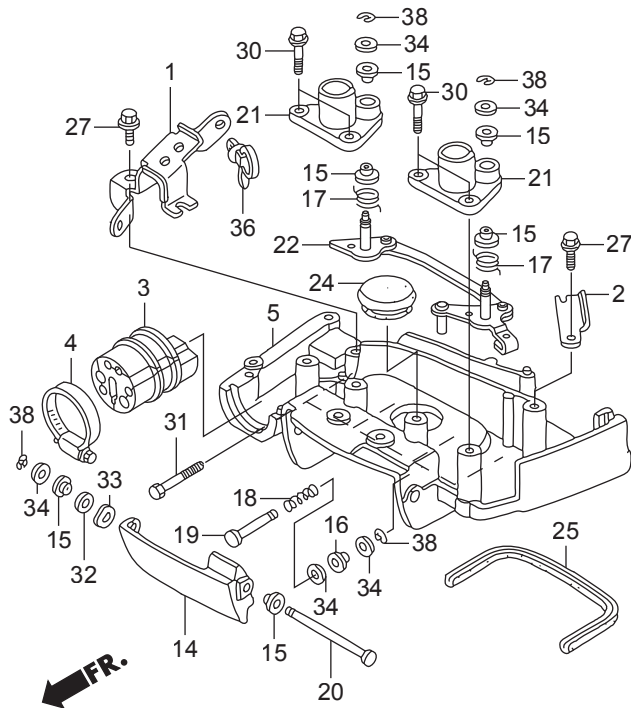
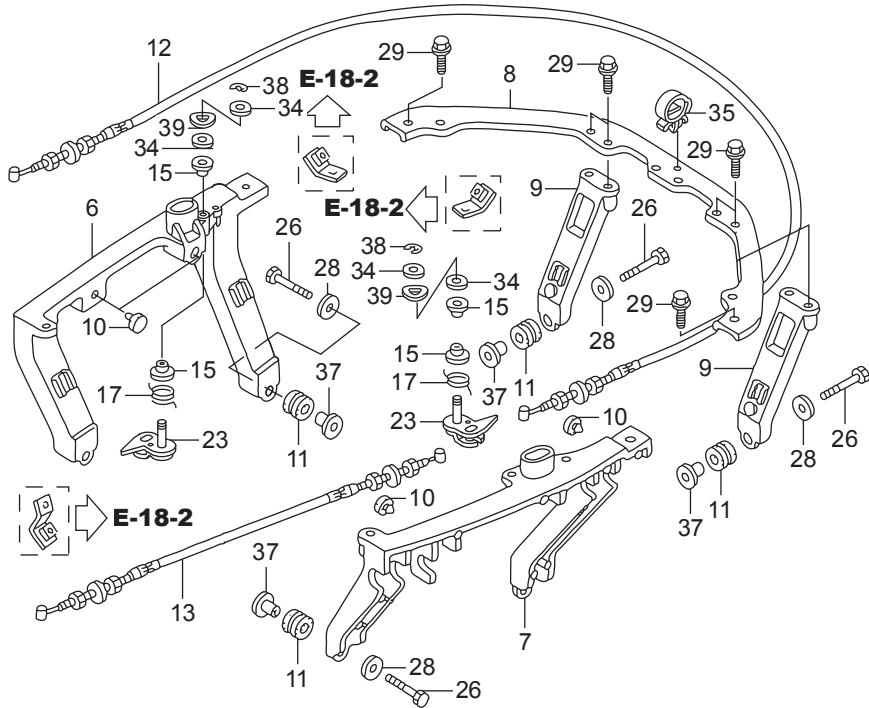


Ref.No.	Part No.	Description	Q' ty		Remarks	
			BFT200A	BFT225A		
F-7-11	1	HZY9-30419-003	GROMMET, ELECTRONIC PARTS CASE	3	3	
F-7-11	2	HZY9-32103-000	BRACKET C, COUPLER	2	2	
F-7-11	3	HZX2-32410-000	CABLE ASSY., STARTER	1	1	
F-7-11	4	HZY3-32411-003	COVER, STARTER TERMINAL	1	1	
F-7-11	5	HZX2-32414-300	COVER B, TERMINAL(L)	2	2	
F-7-11	6	HZY6-32414-640	COVER B, TERMINAL	1	1	
F-7-11	7	HZX2-32415-000	CABLE ASSY., POWER TILT RELAY	1	1	
F-7-11	8	HZX2-32435-000	CORD, A.C. GENERATOR	1	1	
F-7-11	9	HZX2-38550-003	RELAY ASSY., POWER TILT	1	1	
F-7-11	10	HZW1-38551-000	GROMMET, RELAY	2	2	
F-7-11	11	HZX2-38552-000	CASE, POWER TILT RELAY	1	1	
F-7-11	12	HZW2-90003-000	BOLT-WASHER, 6X27(CT200)	3	3	
F-7-11	13	HZW1-90013-000	BOLT-WASHER, 6X25	2	2	
F-7-11	14	HZW9-90013-000	BOLT, FLANGE, 6X12	4	4	
F-7-11	15	HZW9-90014-000	BOLT, FLANGE, 6X10	2	2	
F-7-11	16	HZY3-90107-000	BOLT, FLANGE, 8X18	1	1	
F-7-11	17	HZW1-90203-000	NUT-WASHER, 8MM	2	2	
F-7-11	18	HZY3-90304-000	NUT-WASHER, 6MM	1	1	
F-7-11	19	HZY3-90405-000	WASHER, PLAIN, 8MM	1	1	
F-7-11	20	HSB2-90620-003	BAND, WIRE HARNESS	1	1	
F-7-11	21	H763-90681-A01	CLIP, WIRE HARNESS	1	1	
F-7-11	22	HZX2-90683-003	CLIP, WIRE HARNESS	2	2	
F-7-11	23	HZZ5-91501-000	COLLAR, MOUNTING(6MM)	2	2	
F-7-11	24	HS0A-91541-003	CLIP, HARNESS BAND(BLACK)	4	4	(145MM)
F-7-11	25	HZV5-91553-010	COLLAR, C.D.I. UNIT CASE	3	3	

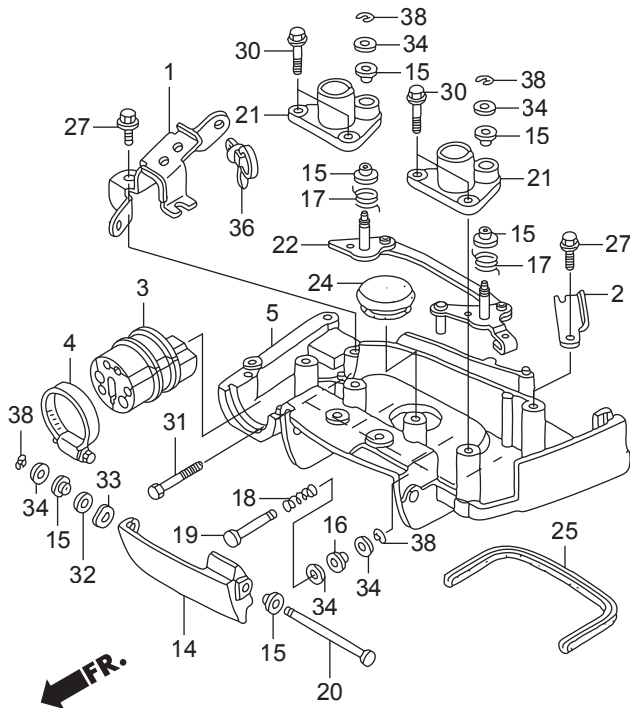
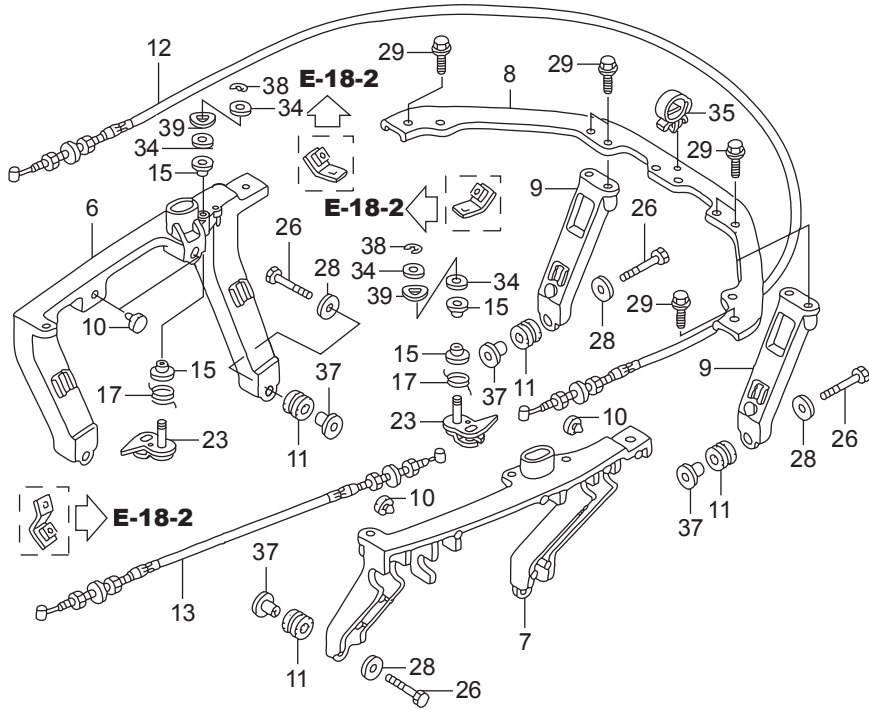


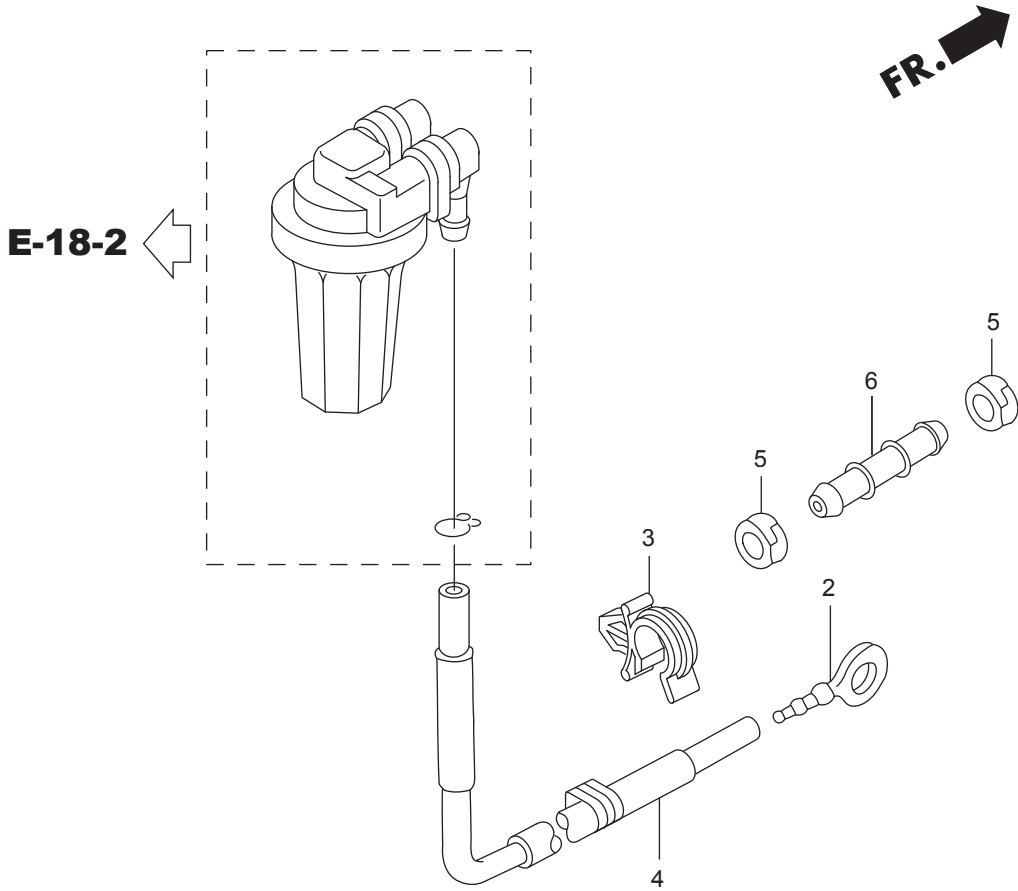


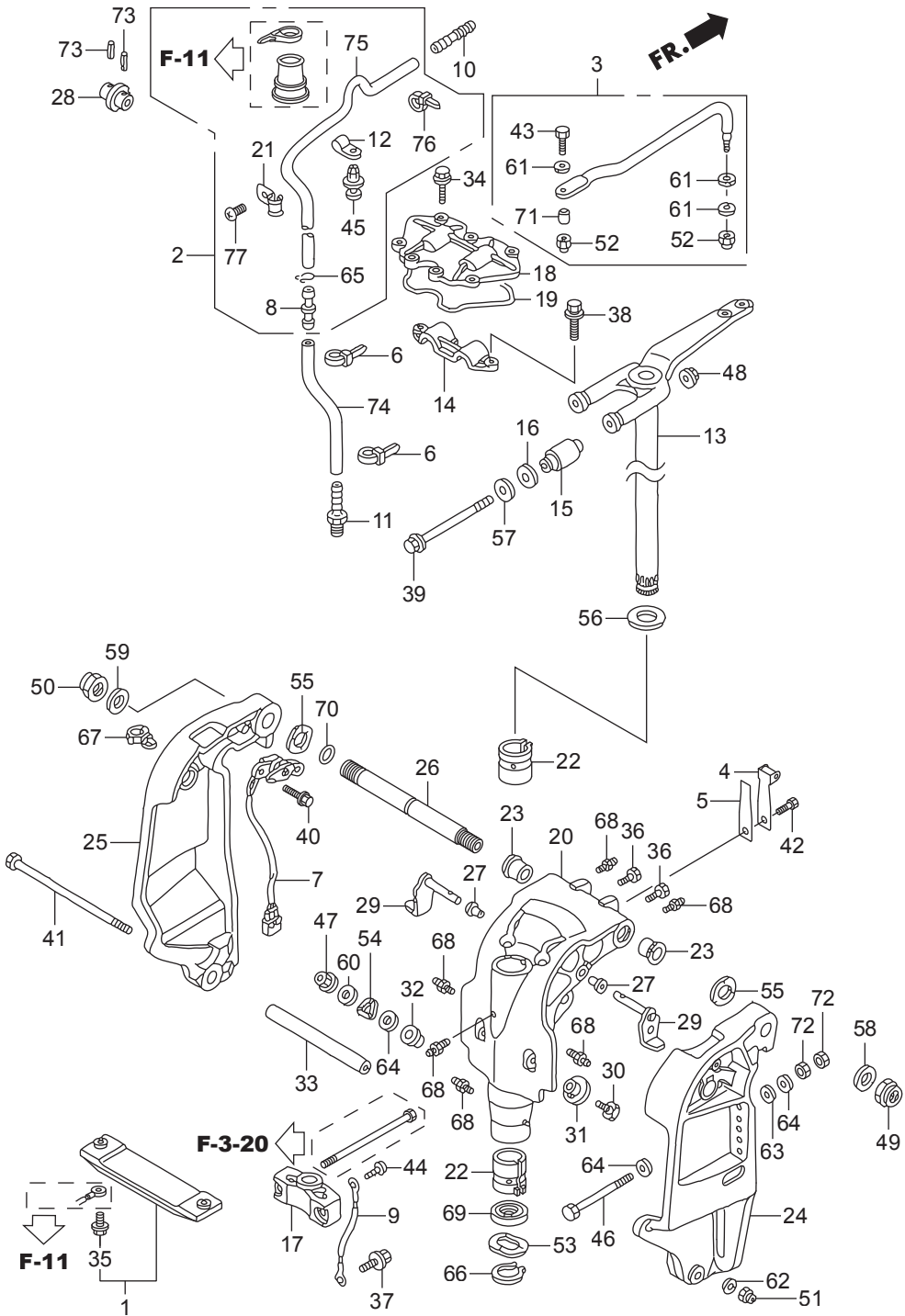
Ref.No.	Part No.	Description	Q' ty		Remarks	
			BFT200A	BFT225A		
F-8	1	HKE8-17251-690	GROMMET, AIR CLEANER CASE	4	4	
F-8	2	HCO-95551-20000	PLUG, BLIND, 20MM	1	1	
F-8	3	HZY2-63100-R00ZA	COVER ASSY., ENGINE	1		*T107* BAY BLUE #~6000078 LA,XA
F-8	3	HZY2-63100-R00ZA	COVER ASSY., ENGINE		1	*T107* BAY BLUE #~6000089 LA,XA
F-8	3	HZY2-63100-R00ZA	COVER ASSY., ENGINE		1	*T107* BAY BLUE #~7000012 XCA
F-8	3	HZY2-63100-R01ZA	COVER ASSY., ENGINE	1		*T107* BAY BLUE #6000079~ LA,XA
F-8	3	HZY2-63100-R01ZA	COVER ASSY., ENGINE		1	*T107* BAY BLUE #6000090~ LA,XA
F-8	3	HZY2-63100-R01ZA	COVER ASSY., ENGINE		1	*T107* BAY BLUE #7000013~ XCA
F-8	4	HZY3-63102-010	SEAL, ENGINE COVER	1	1	
F-8	5	HZY3-63107-000	BRACKET, HOOK	4	4	
F-8	6	HZY3-63108-000	DAMPER, HOOK	4	4	
F-8	7	HZY3-63111-310ZD	COVER, FR.	1	1	*T107* BAY BLUE
F-8	8	HZX2-63119-C00	SPRING, LOCK ADJUSTER	4	4	
F-8	9	HZY3-63143-H00	DUCT, ENGINE COVER	1	1	
F-8	10	HZW9-90105-000	BOLT, FLANGE, 6X20	4	4	
F-8	11	HZY3-90109-010	BOLT, COVER LOCK	4	4	
F-8	12	HZX1-90133-R00	BOLT, SOCKET, 6X16	4	4	
F-8	13	H921-90504-010	WASHER, PLAIN, 6MM	4	4	
F-8	14	HZY3-90507-000	WASHER, PLAIN, 12MM	4	4	
F-8	15	HZY3-91556-000	COLLAR, DISTANCE, 6.5X9X3	12	12	
F-8	16	HCO-93911-141J0	SCREW, TAPPING, 4X10	2	2	
F-8	17	HCO-93913-141J0	SCREW, TAPPING, 4X10	3	3	
F-8	18	HCO-94002-06490-0S	NUT, HEX., 6MM	4	4	



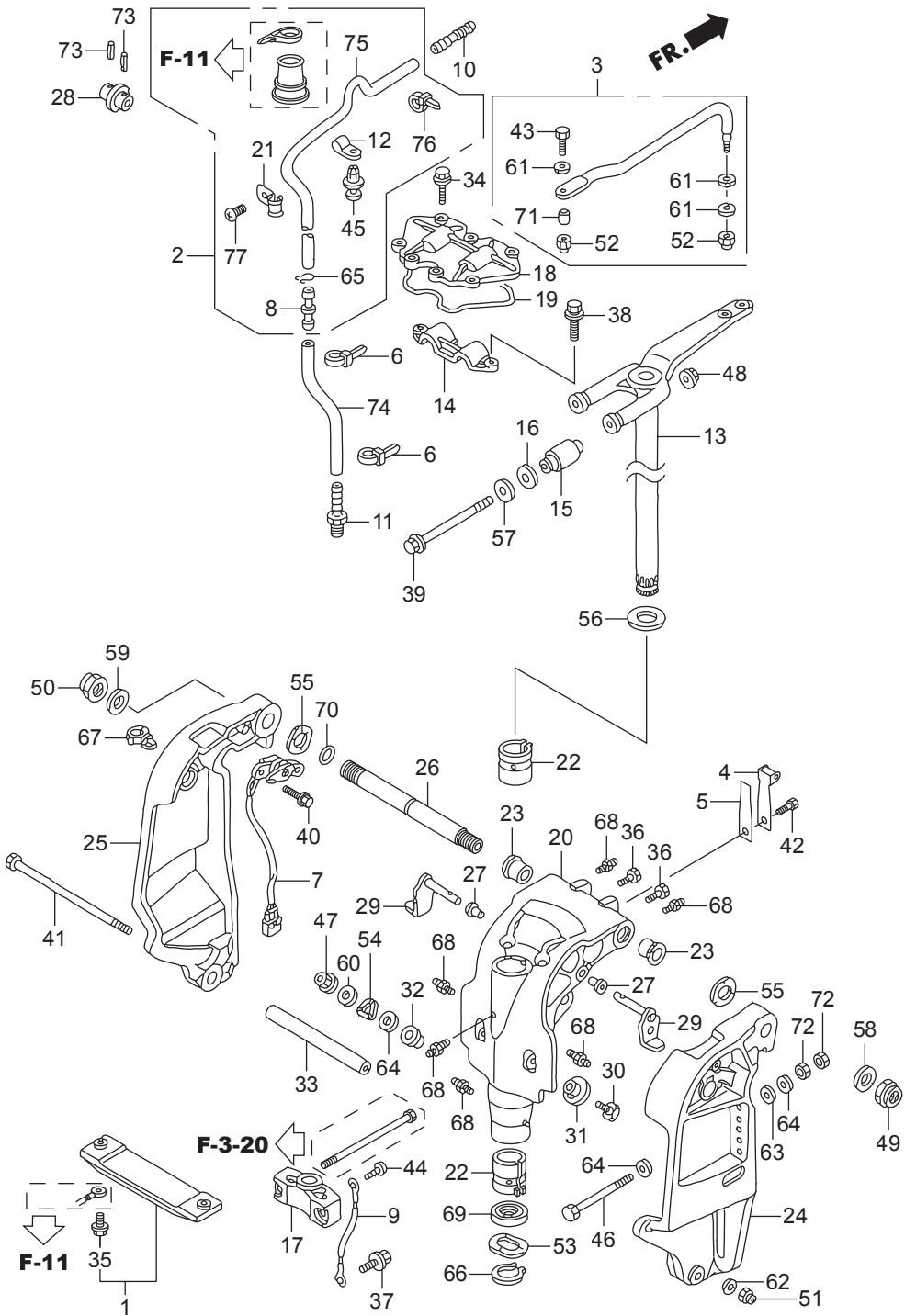
Ref.No.	Part No.	Description	Q' ty		Remarks	
			BFT200A	BFT225A		
F-8-10	1	HZY3-32419-A00	BRACKET, CABLE	1	1	
F-8-10	2	HZY3-32421-000	PLATE, STARTER CABLE	1	1	
F-8-10	3	HZY3-40105-C01	GROMMET A, UNDER CASE	1	1	
F-8-10	4	HZY3-40119-003	BAND, UNDER CASE GROMMET	1	1	
F-8-10	5	HZY3-40154-000ZA	BRACKET, FR. COVER	1	1	*NH8* DARK GRAY
F-8-10	6	HZY3-40155-000	BRACKET, R. SIDE COVER	1	1	
F-8-10	7	HZY3-40157-000	BRACKET, L. SIDE COVER	1	1	
F-8-10	8	HZY3-40158-000	BRACKET A, RR. COVER	1	1	
F-8-10	9	HZY3-40159-000	BRACKET B, RR. COVER	2	2	
F-8-10	10	H196-47117-000	RUBBER, STOPPER	4	4	
F-8-10	11	H121-51640-730	RUBBER, FR. CARRIER CUSHION	6	6	
F-8-10	12	HZY3-60180-C01	CABLE COMP. A, COVER LOCK	1	1	
F-8-10	13	HZY3-60185-C01	CABLE COMP. B, COVER LOCK	1	1	
F-8-10	14	HZY3-63201-000ZC	LEVER, COVER LOCK	1	1	*T107* BAY BLUE
F-8-10	15	HZY3-63205-000	BUSH A, COVER LOCK	10	10	
F-8-10	16	HZY3-63208-000	BUSH B, COVER LOCK	1	1	
F-8-10	17	HZY3-63212-000	SPRING, COVER LOCK HOOK	4	4	
F-8-10	18	HZY3-63223-000	SPRING, LOCK LEVER RETURN	1	1	
F-8-10	19	HZY3-63224-000	SHAFT, COVER OPEN	1	1	
F-8-10	20	HZY3-63225-000	SHAFT, FR. LOCK	1	1	
F-8-10	21	HZY3-63226-000	HOLDER, STRIKER	2	2	
F-8-10	22	HZY3-63230-C00	LOCK ASSY., FR.	1	1	
F-8-10	23	HZX2-63260-C00	LOCK COMP., SIDE	2	2	
F-8-10	24	HZC0-63515-700	CAP, L. SIDE COVER	1	1	
F-8-10	25	HZY3-63729-003	SEAL D, UNDER COVER	1	1	
F-8-10	26	HZV5-90009-000	BOLT, HEX., 8X35	6	6	
F-8-10	27	HZY3-90021-000	BOLT, FLANGE, 6X14	2	2	
F-8-10	28	HML0-90101-720	WASHER, PLAIN, 8MM	6	6	
F-8-10	29	HZW9-90102-000	BOLT, FLANGE, 6X12	6	6	



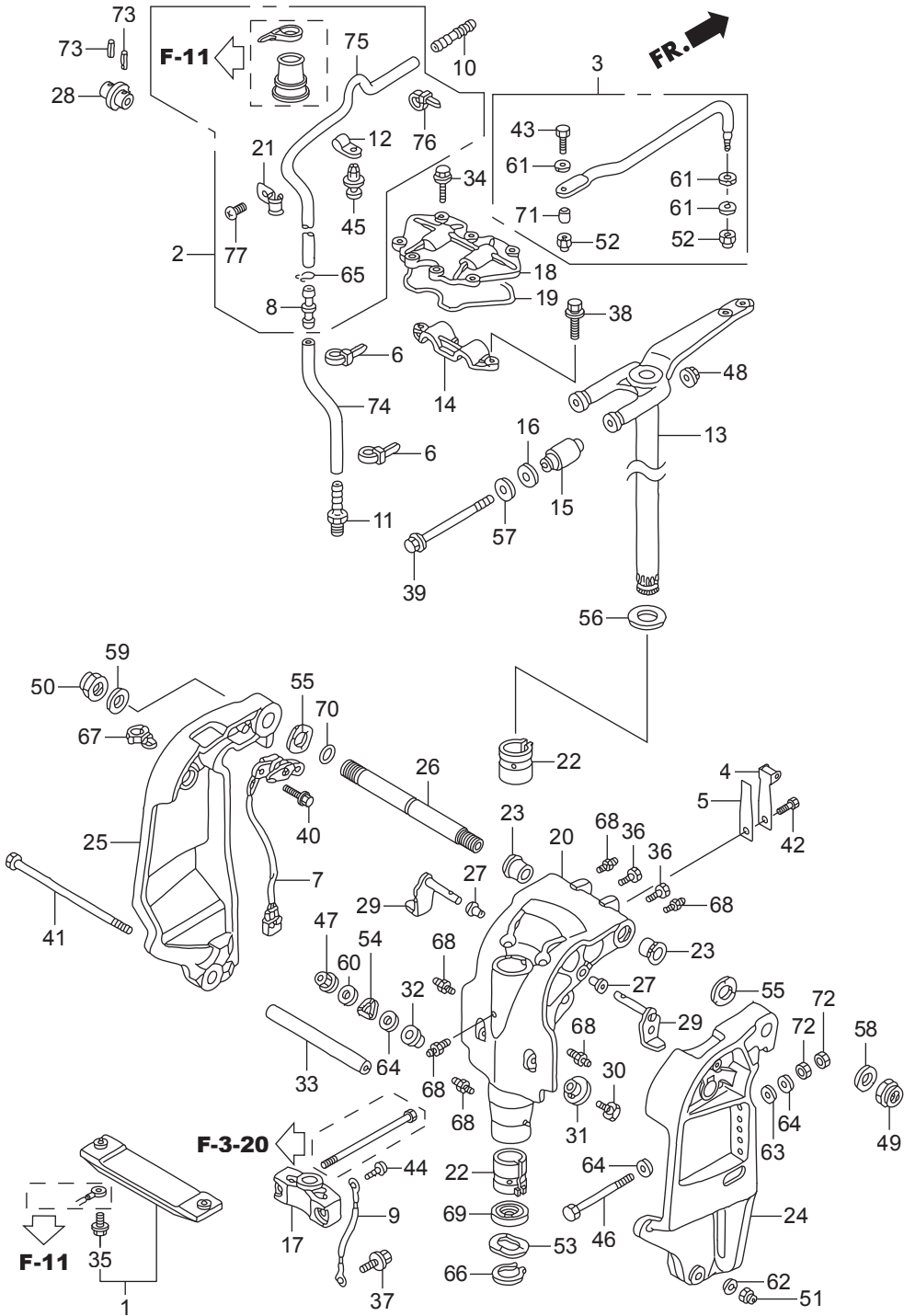




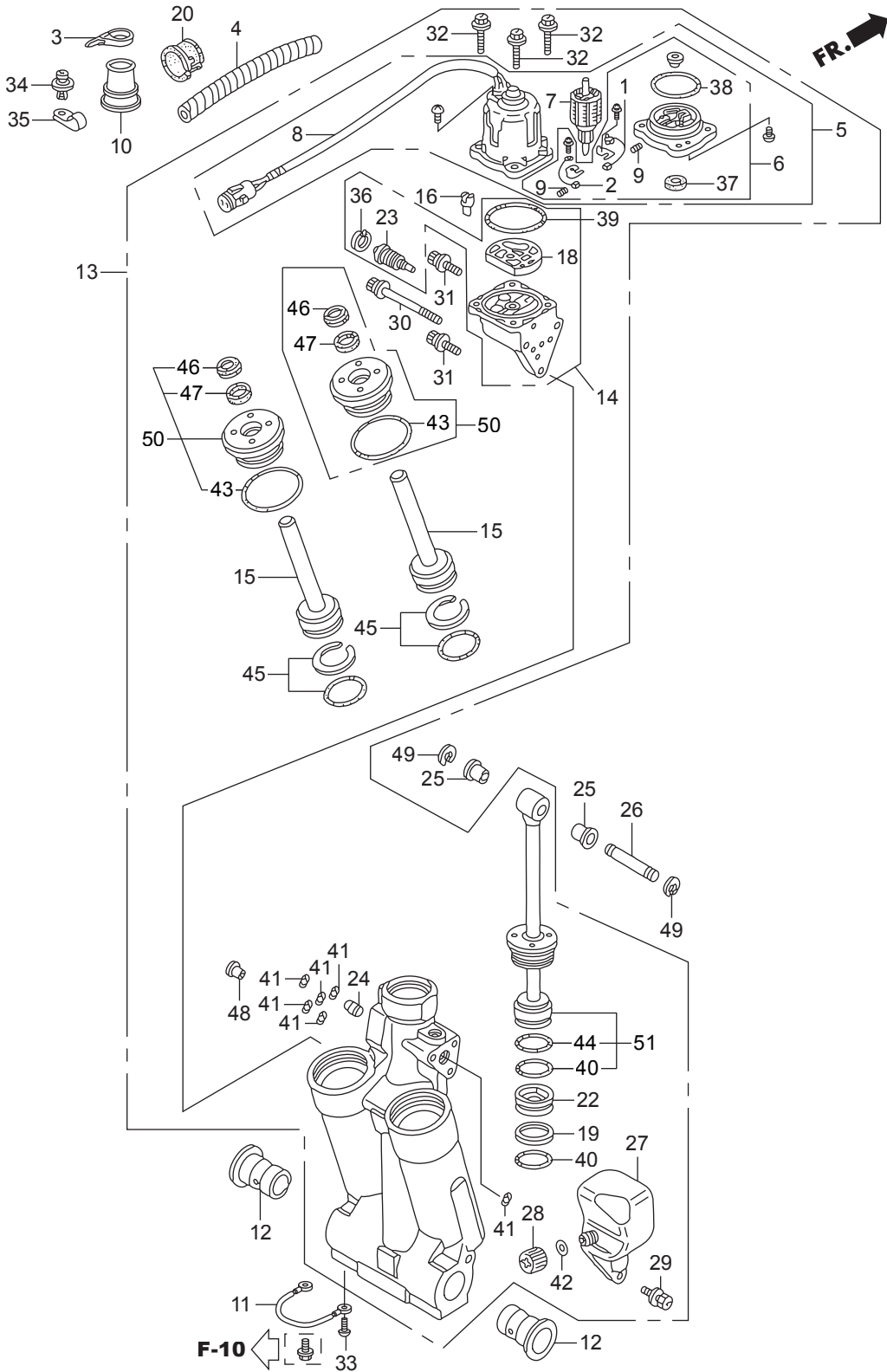
Ref.No.	Part No.	Description	Q' ty		Remarks	
			BFT200A	BFT225A		
F-10	1	HZW1-06411-020	METAL KIT, ANODE	1	1	
F-10	2	HZY3-06412-000	TUBE KIT, SPEED SENSOR	1	1	
F-10	3	HZY3-06532-U00	ROD KIT, STEERING	1	1	
F-10	4	HZV1-24210-010	SPRING COMP., CLICK	1	1	
F-10	5	HZV4-24221-010	SPRING, CLICK ASSIST	1	1	
F-10	6	HKM3-32161-003	BAND, WIRE	2	2	
F-10	7	HZY3-35660-003	SENSOR ASSY., TRIM ANGLE	1	1	
F-10	8	H663-38562-920	JOINT B, WASHER TUBE(MITSUBA)	1	1	
F-10	9	HZY3-40219-013	WIRE, LEAD(1.5X116MM)	1	1	
F-10	10	HZV5-41171-000	END, NIPPLE	1	1	
F-10	11	HZV5-41172-000	NIPPLE, SENSOR	1	1	
F-10	12	HZY3-41179-A00	CLAMPER, SENSOR TUBE	2	2	
F-10	13	HZY3-50100-A01	FRAME COMP., MOUNTING(L)	1	1	LA
F-10	13	HZY3-50100-A11	FRAME COMP., MOUNTING(XL)	1	1	XA,XCA
F-10	14	HZY3-50109-000	HOUSING, UPPER MOUNTING	1	1	
F-10	15	HZY3-50151-000	MOUNT COMP., UPPER RUBBER	2	2	
F-10	16	HZY3-50153-000	RUBBER, UPPER MOUNT STOPPER	2	2	
F-10	17	HZY3-50161-000ZD	HOUSING, LOWER CENTER MOUNTING	1	1	*T107* BAY BLUE LA
F-10	17	HZY3-50161-610	HOUSING, LOWER CENTER MOUNTING	1	1	(XL)XA,XCA
F-10	18	HZY3-50166-000	COVER, UPPER MOUNT	1	1	
F-10	19	HZY3-50168-000	SEAL, UPPER MOUNT COVER	1	1	
F-10	20	HZY3-50201-C01ZD	CASE, SWIVEL	1	1	*T107* BAY BLUE LA
F-10	20	HZY3-50201-C11ZC	CASE, SWIVEL	1	1	*T107* BAY BLUE XA,XCA
F-10	21	HZY3-50209-A00	CLAMP, TUBE	2	2	
F-10	22	HZY3-50211-000	LINER, SWIVEL CASE	2	2	
F-10	23	HZY3-50214-000	BUSH, SWIVEL CASE	2	2	
F-10	24	HZY3-50301-030ZC	BRACKET, R. STERN	1	1	*T107* BAY BLUE
F-10	25	HZY3-50311-020ZC	BRACKET, L. STERN	1	1	*T107* BAY BLUE
F-10	26	HZY3-50381-000	SHAFT, TILTING	1	1	



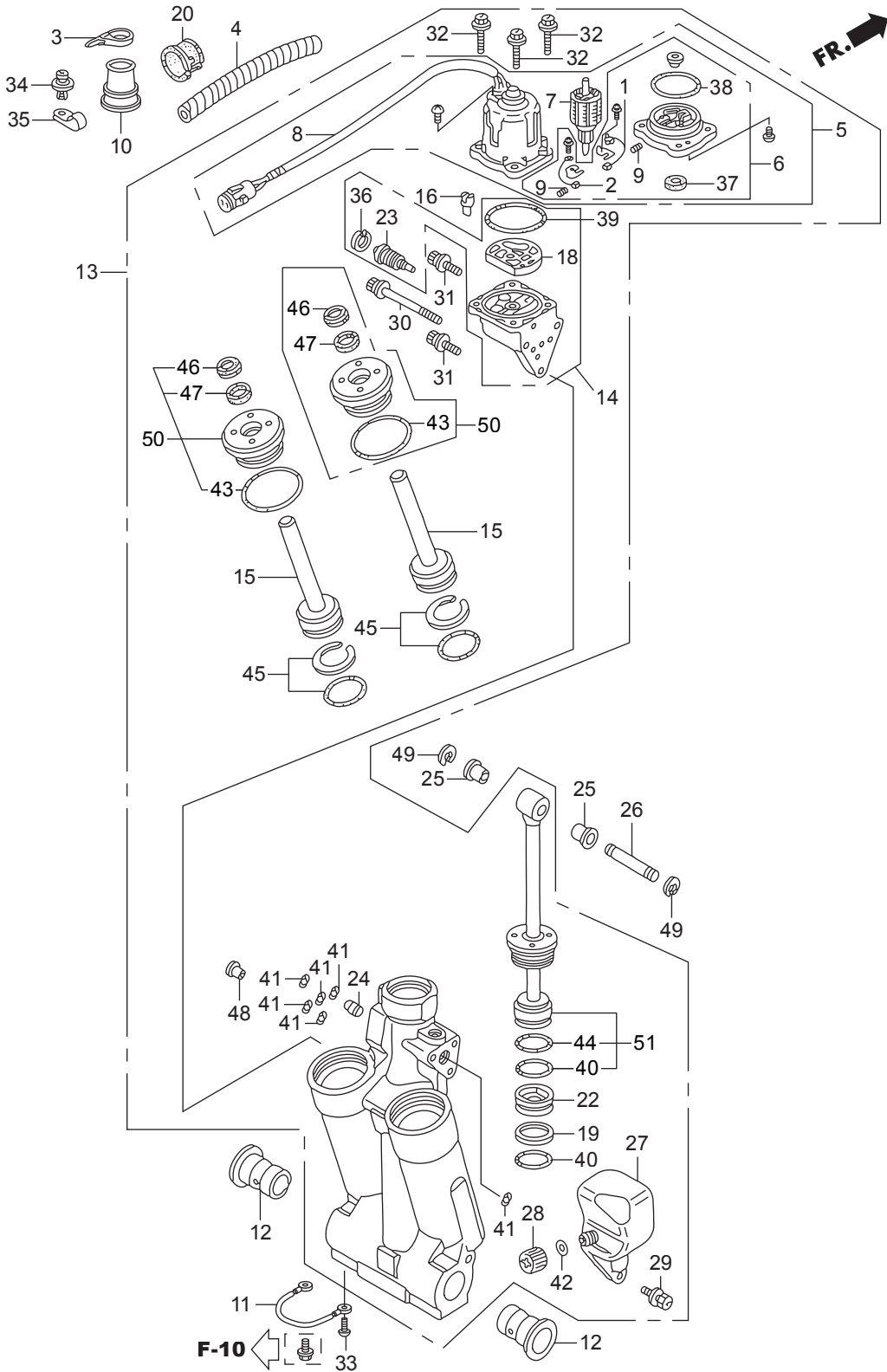
Ref.No.	Part No.	Description	Q' ty		Remarks	
			BFT200A	BFT225A		
F-10	27	HZY3-50522-000	BUSH, TILT ARM	2	2	
F-10	28	HZY3-50527-000	BRACKET, TILTING	1	1	
F-10	29	HZY3-50529-000	STOPPER, TILT	2	2	
F-10	30	HZY3-56516-A00	RECEIVER, THRUST	2	2	
F-10	31	HZY3-56518-A00	BUSH A, THRUST RECEIVE	2	2	
F-10	32	HZY3-56519-A00	BUSH B, THRUST RECEIVE	2	2	
F-10	33	HZW1-56539-000	COLLAR, LOWER CYLINDER	1	1	
F-10	34	HZW9-90005-000	BOLT, FLANGE, 6X20	7	7	
F-10	35	HZW9-90009-000	BOLT, FLANGE, 6X23	2	2	
F-10	36	HZW1-90102-000	BOLT, 1/4-28UNF	2	2	
F-10	37	HZW9-90103-010	BOLT, FLANGE, 6X12	1	1	
F-10	38	HZY6-90103-000	BOLT-WASHER, 10X32	3	3	
F-10	39	HZY3-90104-010	BOLT, HEX., 12X200	2	2	
F-10	40	HZW9-90105-000	BOLT, FLANGE, 6X20	2	2	
F-10	41	HZW1-90108-000	BOLT, HEX., 10X235	1	1	
F-10	42	H881-90110-000	BOLT, HEX., 6X14	1	1	
F-10	43	HZY3-90117-000	BOLT, 3/8-24UNF	1	1	
F-10	44	HZV5-90119-000	SCREW, PAN, 6X8	1	1	
F-10	45	HZV5-90127-003	SCREW, RIVET, 5X10	2	2	
F-10	46	HZX2-90129-000	BOLT, HEX., 12X130	6	6	
F-10	47	HZY1-90205-000	NUT, SELF-LOCK, 6MM	2	2	
F-10	48	HZW5-90302-003	NUT, FLANGE, 12MM	2	2	
F-10	49	HZV5-90304-013	NUT, SELF-LOCK(7/8-14UNF)	1	1	
F-10	50	HZW1-90304-013	NUT, SELF-LOCK(25X2.0)	1	1	
F-10	51	HZW4-90306-003	NUT, FLANGE, 10MM	1	1	
F-10	52	HZV5-90307-003	NUT, SELF-LOCK(3/8-24UNF)	2	2	
F-10	53	HZV5-90501-000	WASHER, WAVE, 40MM	1	1	
F-10	54	HZY3-90501-A00	WASHER, WAVE, 12MM	2	2	
F-10	55	HZV5-90502-000	WASHER, WAVE, 26MM	2	2	



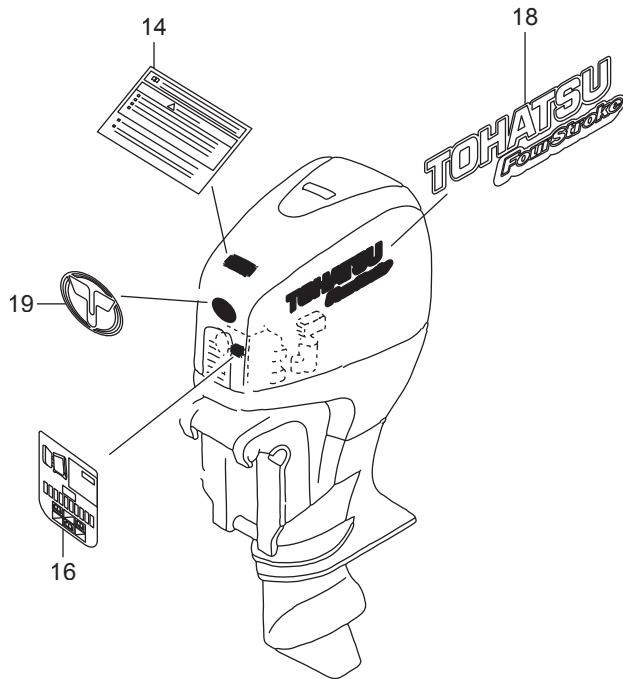
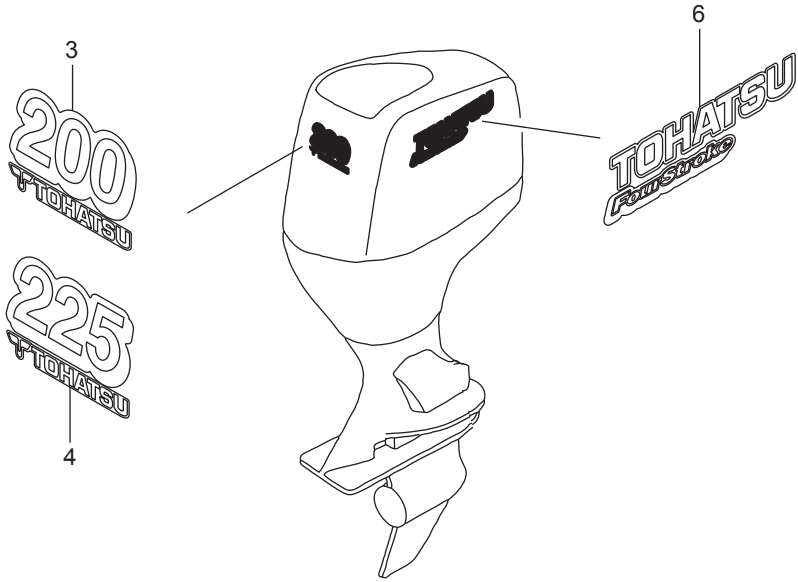
Ref.No.	Part No.	Description	Q' ty		Remarks	
			BFT200A	BFT225A		
F-10	56	HZV5-90504-000	WASHER, THRUST, 34MM	1	1	
F-10	57	HZY3-90504-A00	WASHER, UPPER MOUNTING STOPPER	2	2	
F-10	58	HZY3-90509-000	WASHER, 7/8INCH	1	1	
F-10	59	HZY3-90510-000	WASHER, 25MM	1	1	
F-10	60	HZV4-90512-000	WASHER, PLAIN, 6MM	2	2	
F-10	61	HZV4-90514-000	WASHER, 10MM	3	3	
F-10	62	H921-90511-000	WASHER, PLAIN, 10MM	1	1	
F-10	63	HZV5-90552-000	WASHER, PLAIN, 12MM	6	6	
F-10	64	HZV5-90559-000	WASHER, PLAIN, 12MM	14	14	
F-10	65	H921-90602-000	CLIP, TUBE(B8)	1	1	
F-10	66	HZV5-90651-000	CIRCLIP, EXTERNAL, 39MM	1	1	
F-10	67	H763-90681-A01	CLIP, WIRE HARNESS	1	1	
F-10	68	HZV7-90951-010	NIPPLE, GREASE	6	6	
F-10	69	HZV5-91256-003	OIL SEAL, 39.5X52X6(ARAI)	1	1	
F-10	70	HZV5-91352-000	O-RING, 15.54X2.26	1	1	
F-10	71	HZY3-91560-000	COLLAR, STEERING ROD	1	1	
F-10	72	HCO-94001-12490-0S	NUT, HEX., 12MM	12	12	
F-10	73	HCO-94305-30203	PIN, SPRING, 3X20	2	2	
F-10	74	HCO-95005-5020030	TUBE, 5X200	1	1	(HC-95005-50001-30M)
F-10	75	HCO-95005-5095030	TUBE, 5X950	1	1	(HC-95005-50001-30M)
F-10	76	HKM3-32161-003	BAND, WIRE	1	1	
F-10	77	HZV5-90119-000	SCREW, PAN, 6X8	2	2	

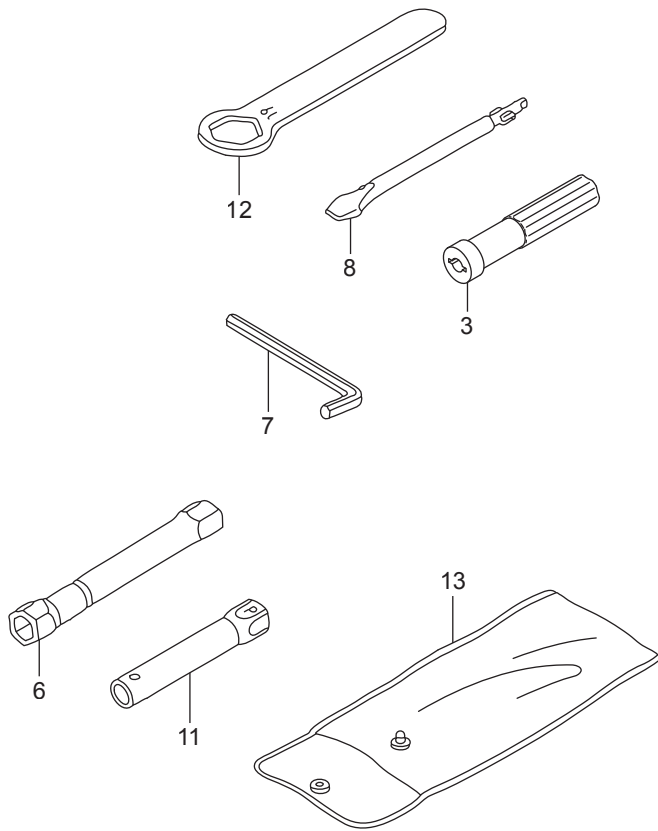


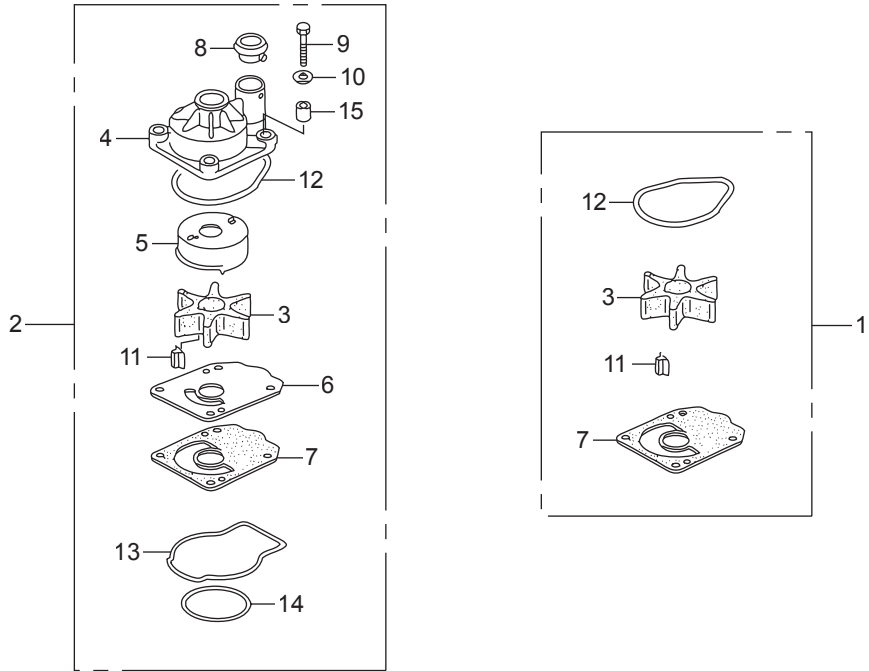
Ref.No.	Part No.	Description	Q' ty		Remarks	
			BFT200A	BFT225A		
F-11	1	HZX2-30280-003	BREAKER ASSY.	1	1	
F-11	2	HZX2-31106-003	BRUSH ASSY.	1	1	
F-11	3	HMG9-35701-950	BAND(BLACK 3.5X140)	1	1	
F-11	4	HZW1-36104-003	TUBE, SPIRAL(12X14.6)	1	1	
F-11	5	HZX2-36120-013	MOTOR ASSY., POWER TILT	1	1	
F-11	6	HZX2-36122-003	BRACKET ASSY.	1	1	
F-11	7	HZY3-36123-013	ARMATURE COMP.	1	1	
F-11	8	HZX2-36129-003	YOKE ASSY.	1	1	
F-11	9	HZV5-36136-821	SPRING, MOTOR	2	2	
F-11	10	HZW1-40107-700	GROMMET, UNDER CASE(C)	3	3	
F-11	11	HZY3-40219-013	WIRE, LEAD(1.5X116MM)	1	1	
F-11	12	HZV5-50214-003	BUSH, SWIVEL CASE	2	2	
F-11	13	HZX2-56000-023	TRIM-TILT ASSY., POWER	1	1	
F-11	14	HZY3-56100-013	PUMP ASSY.	1	1	
F-11	15	HZW1-56110-701	ROD COMP., PISTON(B)	2	2	
F-11	16	HZW1-56113-701	JOINT, DRIVE	1	1	
F-11						
F-11	18	HZW1-56116-701	FILTER B	1	1	
F-11	19	HZV5-56117-821	RING, BACK UP	1	1	
F-11	20	HZV5-56118-820	BUSH, MOTOR CODE	1	1	
F-11						
F-11	22	HZW1-56130-702	PISTON COMP., FREE	1	1	
F-11	23	HZY3-56170-013	VALVE COMP., MANUAL	1	1	
F-11	24	HZW1-56180-701	VALVE COMP., RESERVOIR	1	1	
F-11	25	HZV5-56513-000	BUSH, LOWER CYLINDER	2	2	
F-11	26	HZY3-56532-000	PIN, UPPER CYLINDER	1	1	
F-11	27	HZW1-56851-703	TANK, OIL	1	1	
F-11	28	HZW1-56860-701	CAP COMP., OIL TANK	1	1	
F-11	29	HZW1-90113-702	BOLT, RECESSED	3	3	



Ref.No.	Part No.	Description	Q' ty		Remarks	
			BFT200A	BFT225A		
F-11	30	HZW1-90114-702	BOLT, SOCKET(A)	1	1	
F-11	31	HZW1-90115-702	BOLT, SOCKET(B)	2	2	
F-11	32	HZW1-90116-702	BOLT, HEX.	4	4	
F-11	33	HZV5-90119-000	SCREW, PAN, 6X8	1	1	
F-11	34	HZV5-90127-003	SCREW, RIVET, 5X10	1	1	
F-11	35	HSB0-90602-003	CLIP, 10.7MM	1	1	
F-11	36	HZW1-90652-702	CIRCLIP, INTERNAL	1	1	
F-11	37	HZV5-91203-821	OIL SEAL	1	1	
F-11	38	HZW1-91207-013	O-RING, 2.0X70.5	1	1	
F-11	39	HZV5-91302-821	O-RING, 1.8X69.6	1	1	
F-11	40	HZV5-91316-821	O-RING, 3.5X38.7	2	2	
F-11	41	HZW1-91352-702	O-RING, 1.8X7.7	6	6	
F-11	42	HZW1-91353-703	O-RING, 1.9X11	1	1	
F-11	43	HZW1-91354-701	O-RING, 3.5X35.7	2	2	
F-11	44	HZW1-91355-701	O-RING, 3.5X41.7	1	1	
F-11	45	HZW1-91357-701	O-RING SET, 3.5X31.7	2	2	
F-11	46	HZW1-91358-701	SEAL, WATER	2	2	
F-11	47	HZW1-91361-701	PACKING	2	2	
F-11	48	HZW1-91557-701	COLLAR, ORIFICE	1	1	
F-11	49	HCO-94540-15029	E-RING, 15MM	2	2	
F-11	50	HZY9-56115-003	GUIDE COMP., ROD	2	2	
F-11	51	HZY3-56120-013	ROD COMP., PISTON	1	1	

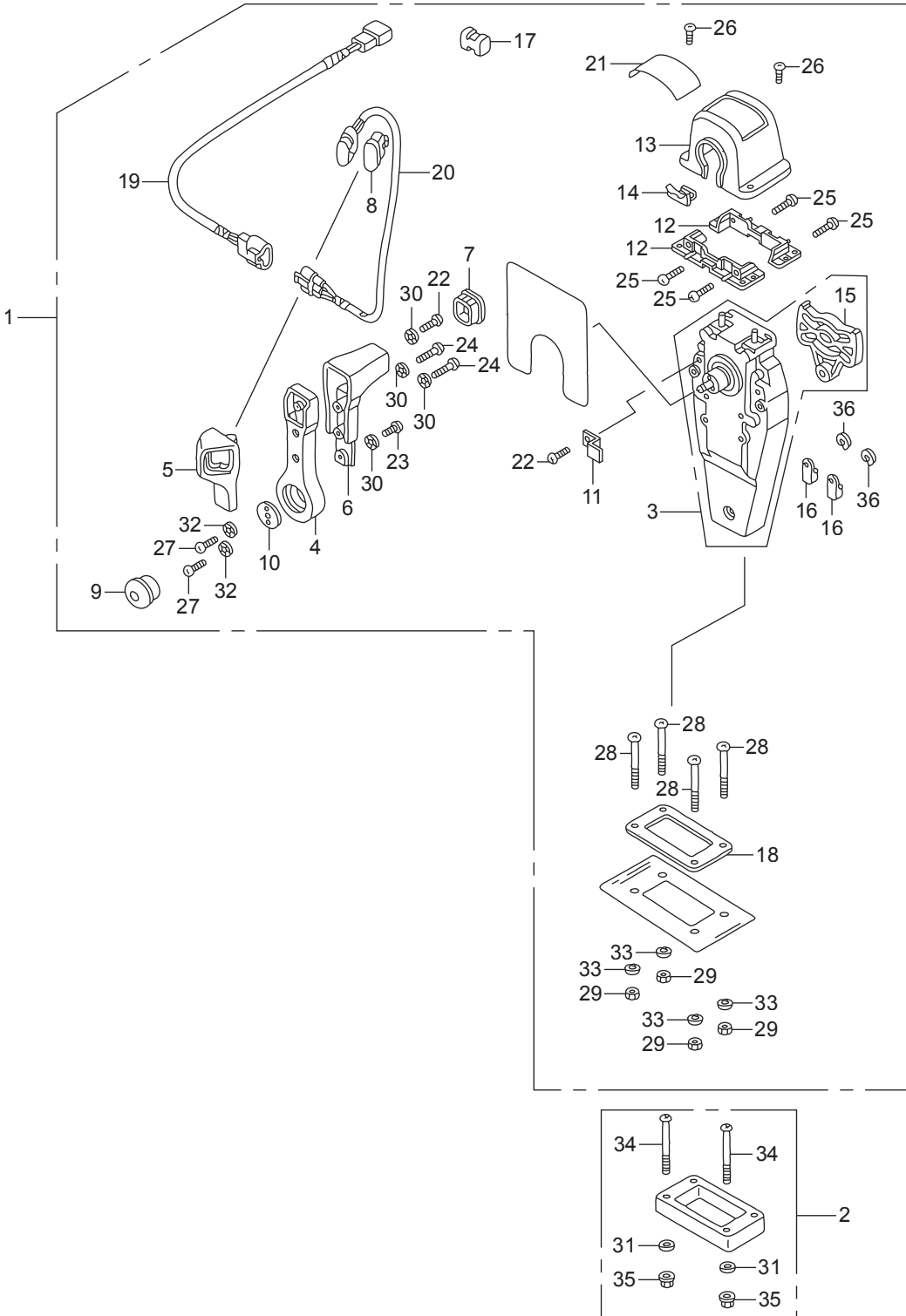




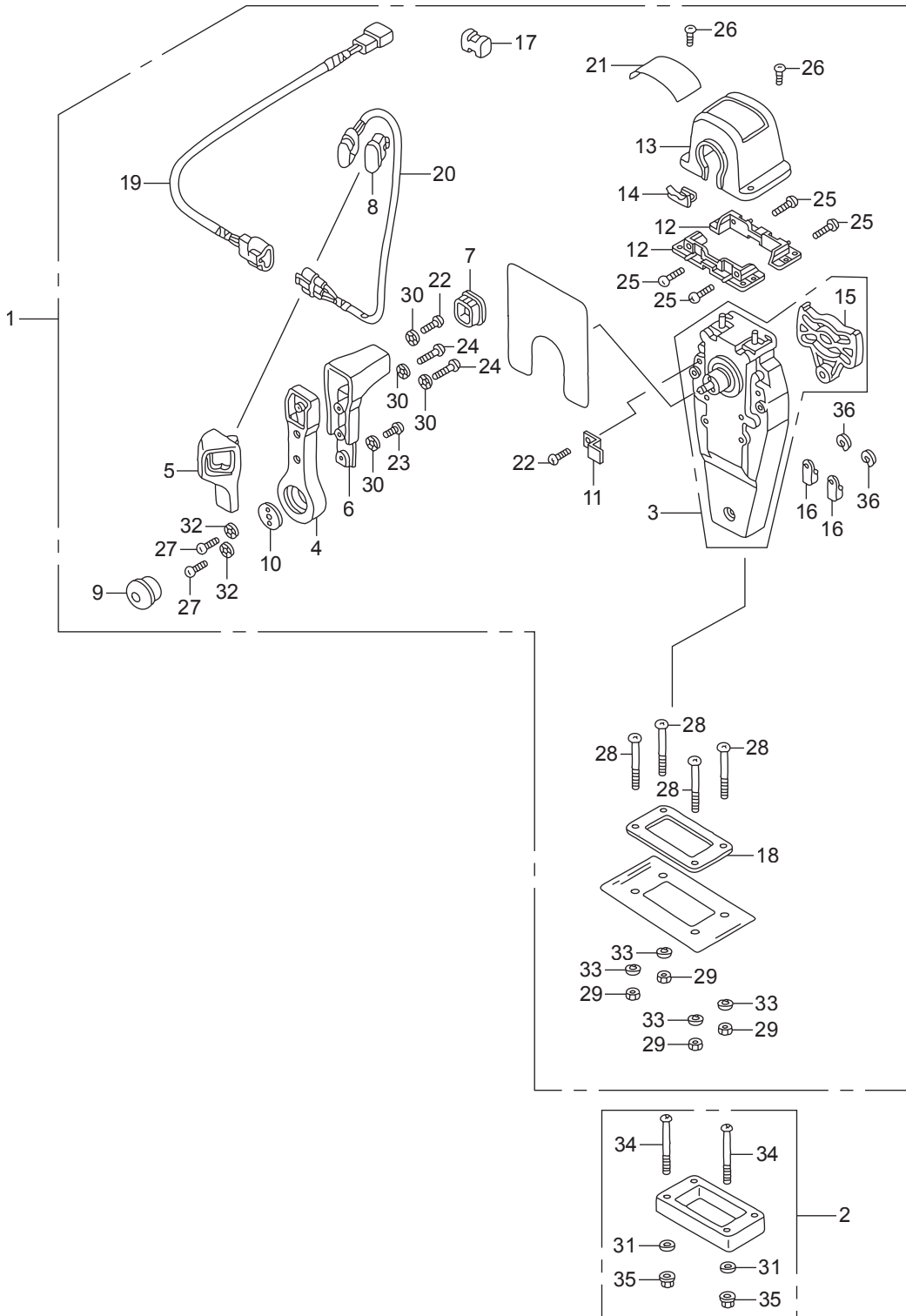


←FR.

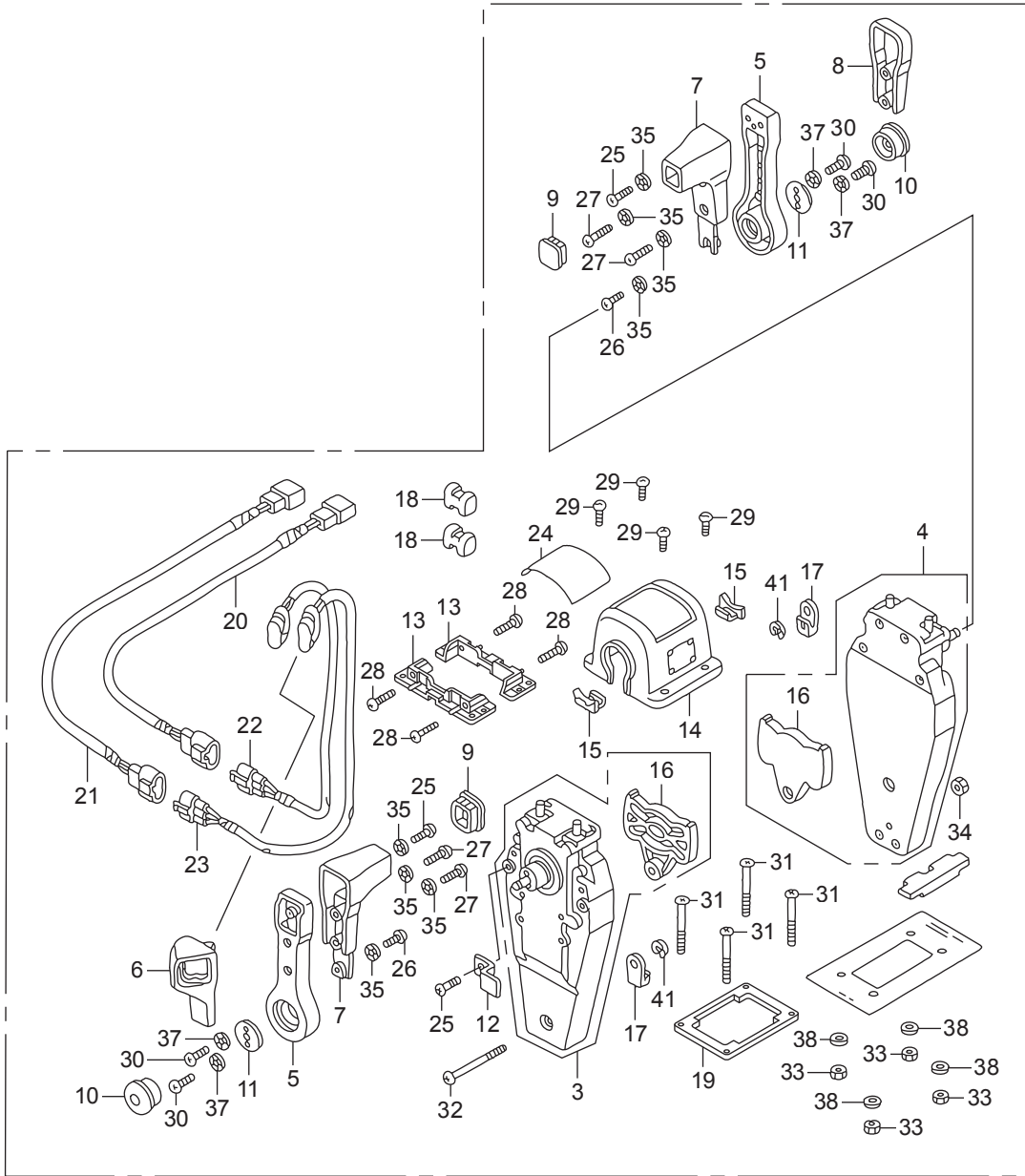
Ref.No.	Part No.	Description	Q' ty		Remarks	
			BFT200A	BFT225A		
FOP-2	1	HZY3-06192-000	PUMP KIT, IMPELLER	1	1	
FOP-2	2	HZY3-06193-010	PUMP KIT, IMPELLER	1	1	
FOP-2	3	HZY3-19210-003	IMPELLER, PUMP	1	1	
FOP-2	4	HZY3-19221-010	HOUSING, IMPELLER	1	1	
FOP-2	5	HZY3-19223-000	LINER, PUMP	1	1	
FOP-2	6	HZY3-19231-000	COVER, IMPELLER	1	1	
FOP-2	7	HZY3-19234-000	GASKET B, IMPELLER	1	1	
FOP-2	8	HZY3-19253-000	RING, WATER TUBE SEAL	1	1	
FOP-2	9	HZY3-90116-000	BOLT, HEX., 8X60	4	4	
FOP-2	10	H921-90514-000	WASHER, 8MM	4	4	
FOP-2	11	HZY3-90752-003	KEY, WOODRUFF	1	1	
FOP-2	12	HZY3-91356-003	O-RING, WATER PUMP	1	1	
FOP-2	13	HZY3-91358-003	O-RING, WATER PUMP HOUSING	1	1	
FOP-2	14	HZY3-91359-003	O-RING, 69.1X2.4	1	1	
FOP-2	15	HZY3-91551-000	COLLAR, DISTANCE	4	4	



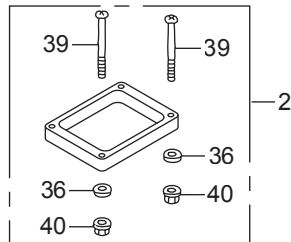
Ref.No.	Part No.	Description	Q'ty		Remarks	
			BFT200A	BFT225A		
FOP-3	1	HZZ3-06240-R30	BOX KIT, REMOTE CONTROL	1	1	(TOP MOUNT SINGLE)(R.)
FOP-3	2	HZW5-06241-U00	SPACER KIT, REMOTE CONTROL BOX	1	1	(TOP MOUNT SINGLE)
FOP-3	3	HZW5-24810-U01	HOUSING ASSY., L. INNER	1	1	(TOP MOUNT)
FOP-3	4	HZW5-24811-U01	HANDLE, REMOTE CONTROL	1	1	
FOP-3	5	HZW5-24812-U01	COVER, L. GRIP	1	1	
FOP-3	6	HZW5-24813-U01	GRIP, REMOTE CONTROL HANDLE	1	1	
FOP-3	7	HZW5-24814-U01	CAP, GRIP	1	1	
FOP-3	8	HZW5-24815-U01	CAP, SWITCH	1	1	
FOP-3	9	HZW5-24816-U01	BUTTON, THROTTLE	1	1	
FOP-3	10	HZW5-24817-U01	PLATE, HANDLE	1	1	
FOP-3	11	HZW5-24818-U01	PLATE, CABLE CLAMP	1	1	
FOP-3	12	HZW5-24819-U01	BRACKET, REMOTE CONTROL	2	2	HOUSING
FOP-3	13	HZZ3-24820-R11	HOUSING COMP., REMOTE CONTROL	1	1	BOX
FOP-3	14	HZW5-24825-U01	HOUSING, LEAD	1	1	
FOP-3	15	HZW5-24826-U01	PLATE, DWELL	1	1	
FOP-3	16	HZW5-24831-U01	TERMINAL, CABLE	2	2	
FOP-3	17	HZW5-24832-U01	SPACER, CABLE CLAMP	1	1	
FOP-3	18	HZW5-24834-U01	PACKING, SINGLE	1	1	
FOP-3	19	HZW7-32530-U00	SUB HARNESS ASSY., POWER	1	1	TRIM-TILT(A)
FOP-3	20	HZW5-35370-U02	SWITCH ASSY., POWER TRIM-TILT	1	1	(A)
FOP-3	21	HZZ3-87703-R81	MARK, REMOTE CONTROL(SINGLE)	1	1	
FOP-3	22	HZW5-90101-U00	SCREW, PAN, 5X16	2	2	
FOP-3	23	HZW5-90102-U00	SCREW, PAN, 5X10	1	1	
FOP-3	24	HZW5-90103-U01	SCREW, PAN, 5X20	2	2	
FOP-3	25	HZW5-90104-U00	SCREW, PAN, 5X18	4	4	
FOP-3	26	HZW5-90105-U01	SCREW, PAN, 4X10	2	2	
FOP-3	27	HZW5-90106-U00	SCREW, PAN, 6X18	2	2	
FOP-3	28	HZW5-90107-U00	SCREW, PAN, 5X40	4	4	
FOP-3	29	HZW5-90301-U00	NUT, HEX., 5MM	4	4	



Ref.No.	Part No.	Description	Q' ty		Remarks
			BFT200A	BFT225A	
FOP-3	30	HZW5-90501-U00	WASHER, LOCK, 5MM	4	4
FOP-3	31	HZV4-90502-000	WASHER, PLAIN, 5MM	4	4
FOP-3	32	HZW5-90502-U00	WASHER, LOCK, 6MM	2	2
FOP-3	33	HZW5-90503-U00	WASHER, PLAIN, 5MM	4	4
FOP-3	34	HCO-93500-05065-4J	SCREW, PAN, 5X65	4	4
FOP-3	35	HCO-94001-05490-0S	NUT, HEX., 5MM	4	4
FOP-3	36	HCO-94540-06029	E-RING, 6MM	2	2



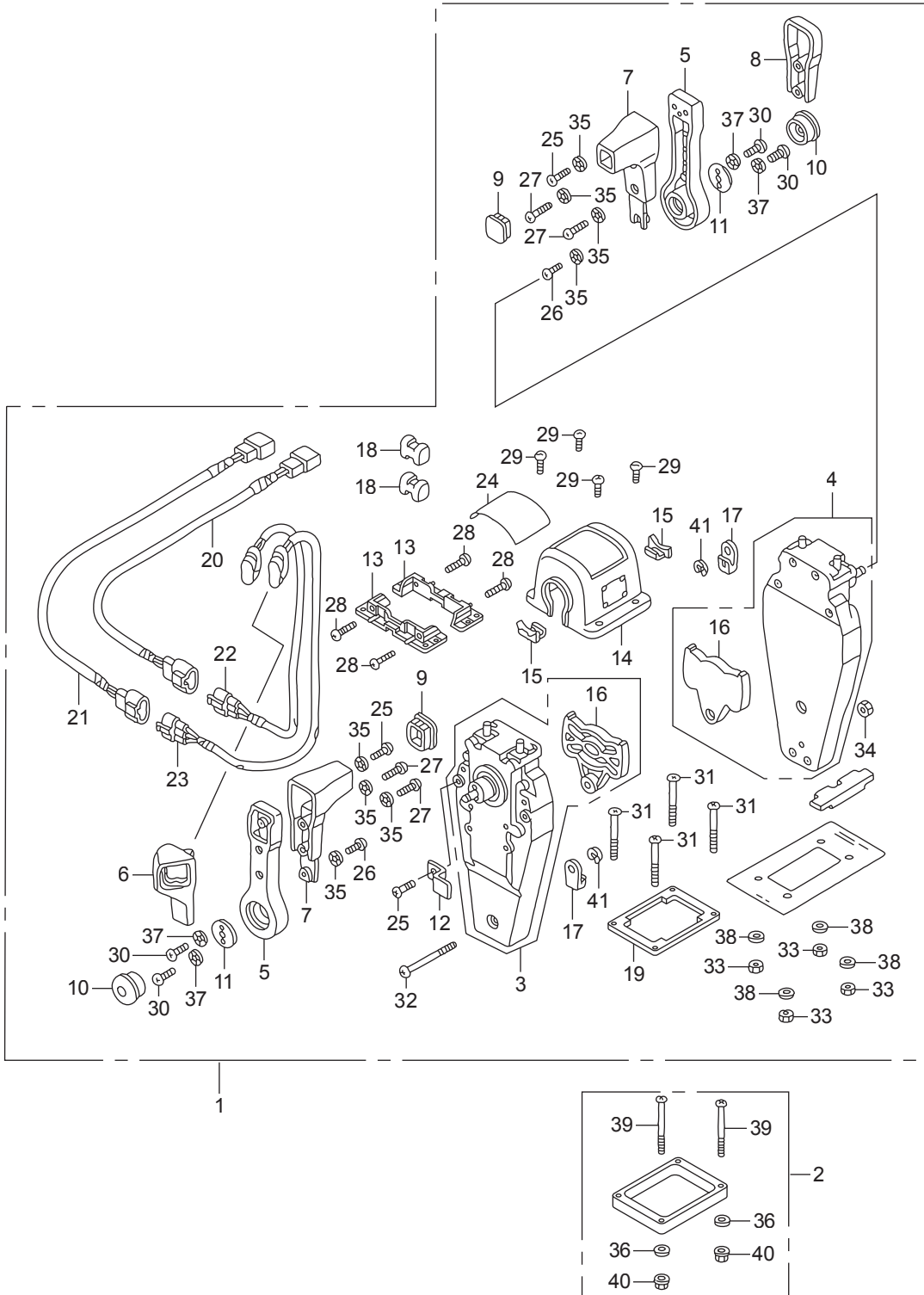
1



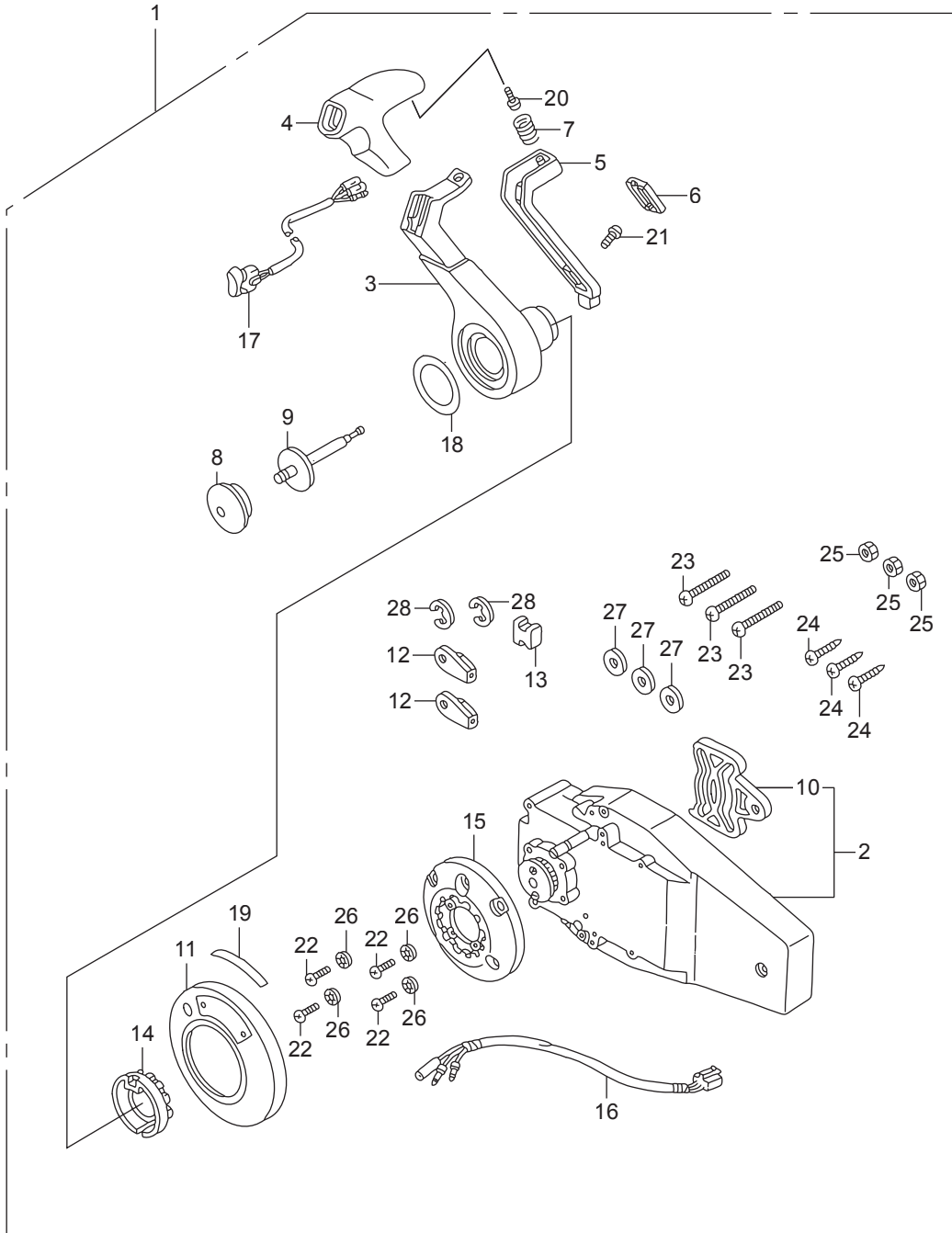
2

Ref.No.	Part No.	Description	Q' ty		Remarks	
			BFT200A	BFT225A		
FOP-3-2	1	HZZ3-06240-R60	BOX KIT, REMOTE CONTROL	1	1	(TOP MOUNT DUAL)(R.)
FOP-3-2	2	HZW5-06241-U10	SPACER KIT, REMOTE CONTROL BOX	1	1	(TOP MOUNT DUAL)
FOP-3-2	3	HZW5-24810-U01	HOUSING ASSY., L. INNER	1	1	(TOP MOUNT)
FOP-3-2	4	HZW5-24810-U11	HOUSING ASSY., R. INNER	1	1	(TOP MOUNT)
FOP-3-2	5	HZW5-24811-U01	HANDLE, REMOTE CONTROL	2	2	
FOP-3-2	6	HZW5-24812-U01	COVER, L. GRIP	1	1	
FOP-3-2	7	HZW5-24813-U01	GRIP, REMOTE CONTROL HANDLE	2	2	
FOP-3-2	8	HZW5-24813-U21	COVER, DUAL GRIP	1	1	
FOP-3-2	9	HZW5-24814-U01	CAP, GRIP	2	2	
FOP-3-2	10	HZW5-24816-U01	BUTTON, THROTTLE	2	2	
FOP-3-2	11	HZW5-24817-U01	PLATE, HANDLE	2	2	
FOP-3-2	12	HZW5-24818-U01	PLATE, CABLE CLAMP	1	1	
FOP-3-2	13	HZW5-24819-U01	BRACKET, REMOTE CONTROL	2	2	HOUSING
FOP-3-2	14	HZZ3-24820-R21	HOUSING COMP., REMOTE CONTROL	1	1	BOX(DUAL)
FOP-3-2	15	HZW5-24825-U01	HOUSING, LEAD	2	2	
FOP-3-2	16	HZW5-24826-U01	PLATE, DWELL	2	2	
FOP-3-2	17	HZW5-24831-U01	TERMINAL, CABLE	4	4	
FOP-3-2	18	HZW5-24832-U01	SPACER, CABLE CLAMP	2	2	
FOP-3-2	19	HZW5-24834-U21	PACKING, DUAL	1	1	
FOP-3-2	20	HZW7-32530-U00	SUB HARNESS ASSY., POWER	1	1	TRIM-TILT(A)
FOP-3-2	21	HZW7-32530-U10	SUB HARNESS ASSY., POWER	1	1	TRIM-TILT(B)
FOP-3-2	22	HZW5-35370-U02	SWITCH ASSY., POWER TRIM-TILT	1	1	(A)
FOP-3-2	23	HZW5-35370-U12	SWITCH ASSY., POWER TRIM-TILT	1	1	(B)
FOP-3-2	24	HZZ3-87703-R01	MARK, REMOTE CONTROL(DUAL)	1	1	
FOP-3-2	25	HZW5-90101-U00	SCREW, PAN, 5X16	3	3	
FOP-3-2	26	HZW5-90102-U00	SCREW, PAN, 5X10	2	2	
FOP-3-2	27	HZW5-90103-U01	SCREW, PAN, 5X20	4	4	
FOP-3-2	28	HZW5-90104-U00	SCREW, PAN, 5X18	4	4	
FOP-3-2	29	HZW5-90105-U01	SCREW, PAN, 4X10	4	4	

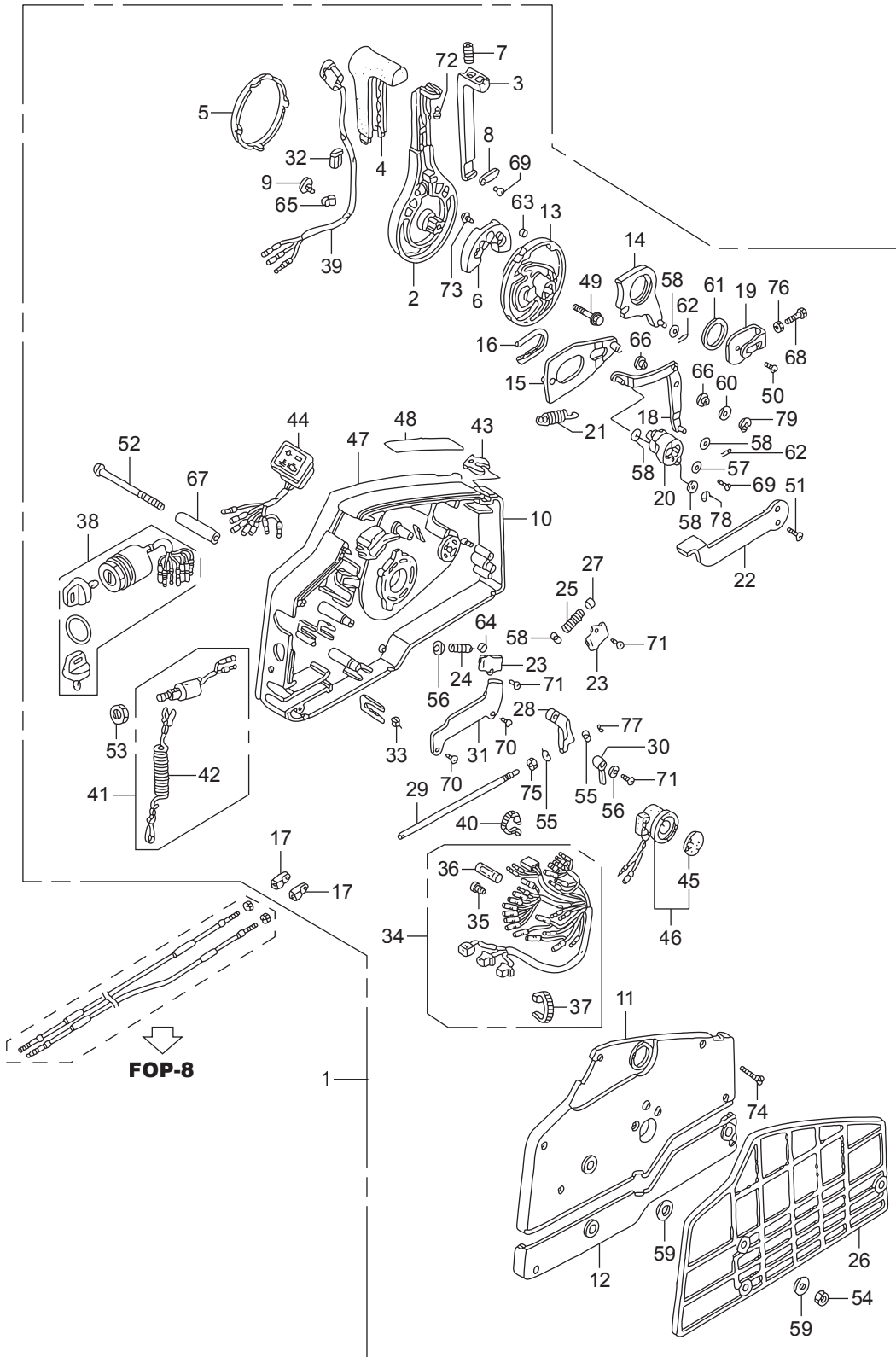
REMOTE CONTROL
(TOP MOUNT DUAL TYPE) (RIGHT)



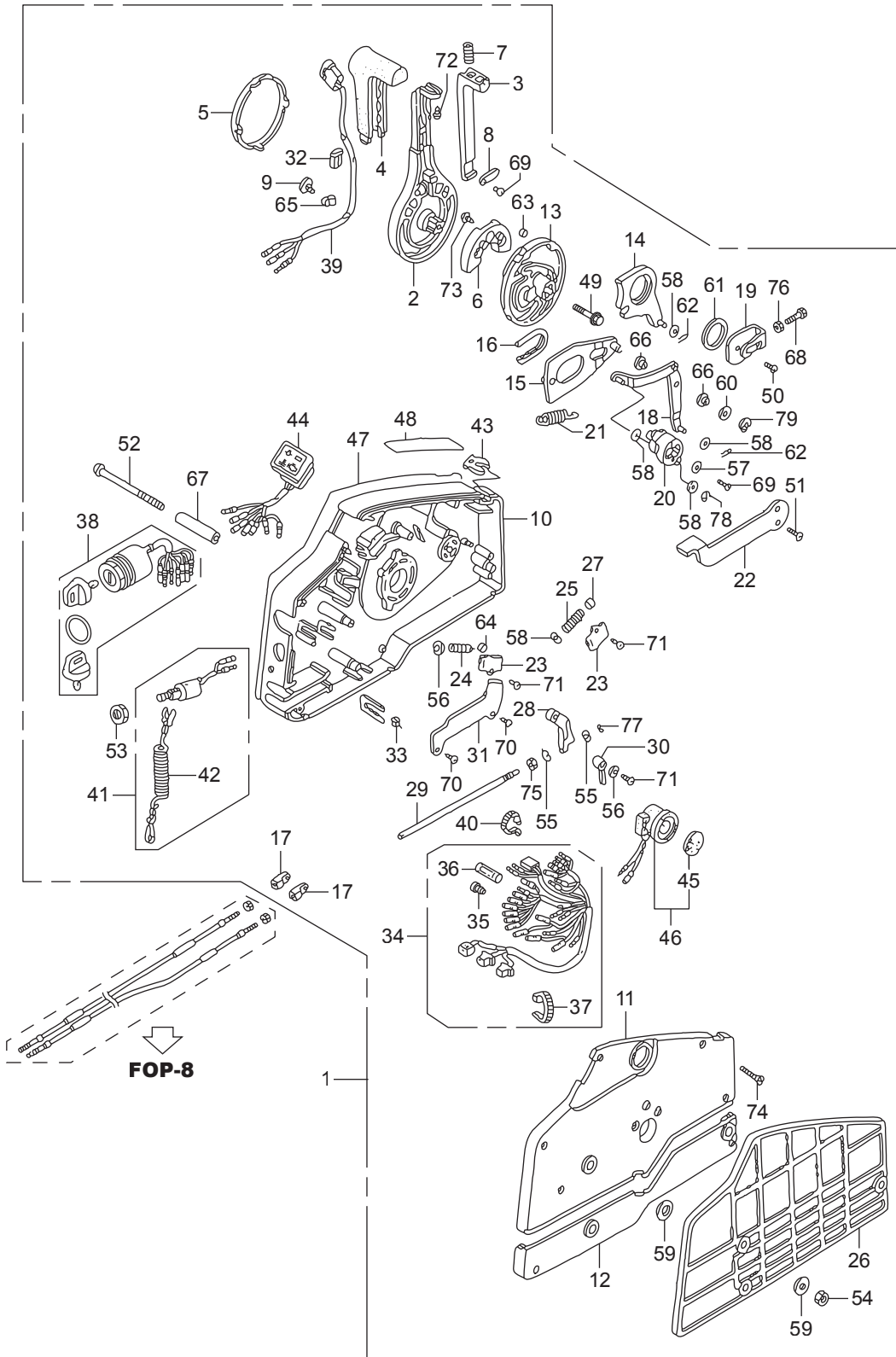
Ref.No.	Part No.	Description	Q'ty		Remarks	
			BFT200A	BFT225A		
FOP-3-2	30	HZW5-90106-U00	SCREW, PAN, 6X18	4	4	
FOP-3-2	31	HZW5-90107-U00	SCREW, PAN, 5X40	4	4	
FOP-3-2	32	HZW5-90108-U00	SCREW, PAN, 5X55	1	1	
FOP-3-2	33	HZW5-90301-U00	NUT, HEX., 5MM	4	4	
FOP-3-2	34	HZW5-90302-U21	NUT, HEX., 5MM	1	1	
FOP-3-2	35	HZW5-90501-U00	WASHER, LOCK, 5MM	8	8	
FOP-3-2	36	HZV4-90502-000	WASHER, PLAIN, 5MM	4	4	
FOP-3-2	37	HZW5-90502-U00	WASHER, LOCK, 6MM	4	4	
FOP-3-2	38	HZW5-90503-U00	WASHER, PLAIN, 5MM	4	4	
FOP-3-2	39	HCO-93500-05065-4J	SCREW, PAN, 5X65	4	4	
FOP-3-2	40	HCO-94001-05490-0S	NUT, HEX., 5MM	4	4	
FOP-3-2	41	HCO-94540-06029	E-RING, 6MM	4	4	



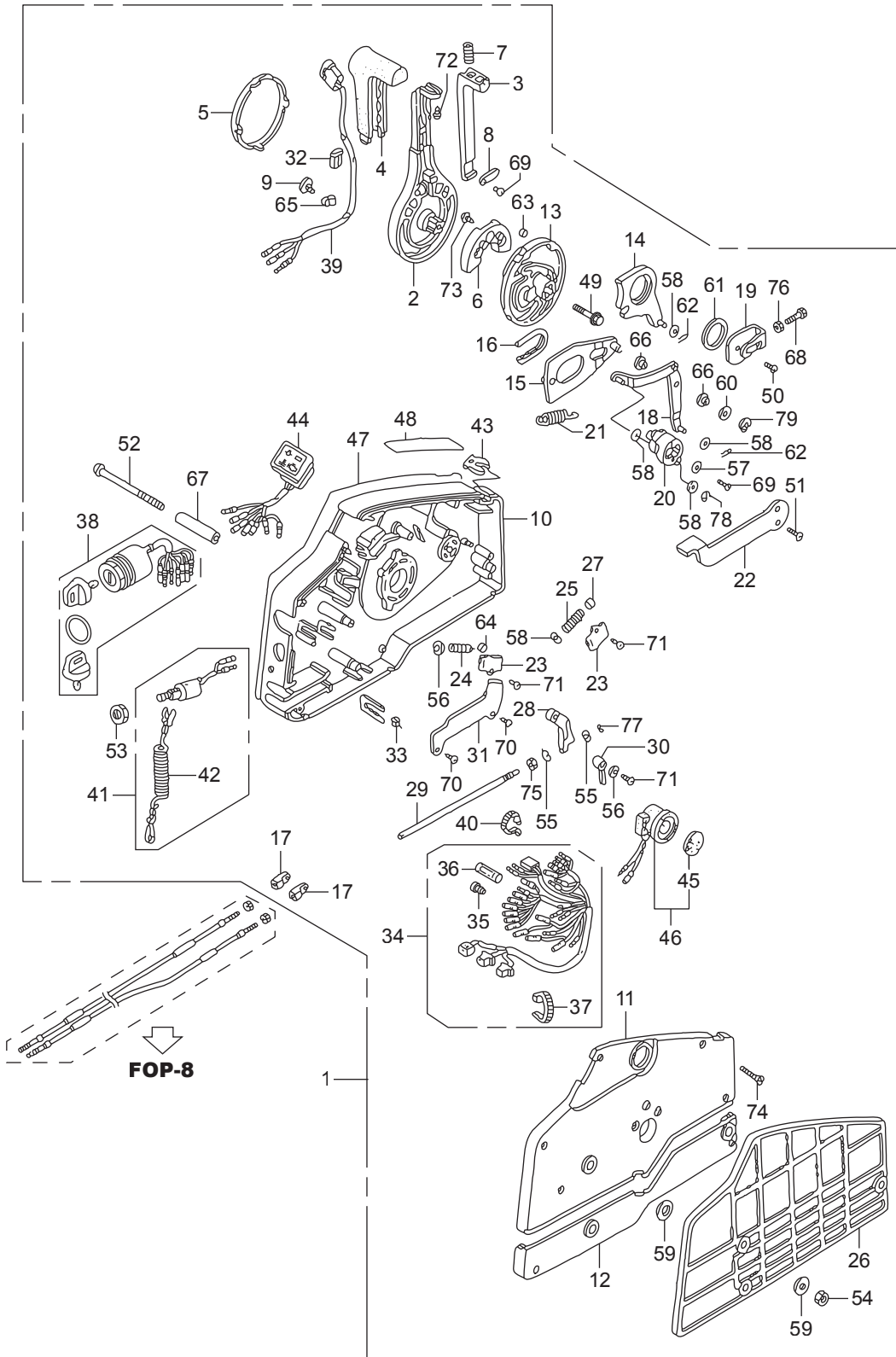
Ref.No.	Part No.	Description	Q'ty		Remarks	
			BFT200A	BFT225A		
FOP-3-4	1	HZZ3-06240-R40	BOX KIT, REMOTE CONTROL	1	1	(FLUSH MOUNT)(R.)
FOP-3-4	2	HZW7-24810-U01	HOUSING ASSY., R. INNER	1	1	(FLUSH MOUNT)
FOP-3-4	3	HZW7-24811-U01	HANDLE, REMOTE CONTROL	1	1	
FOP-3-4	4	HZW7-24812-U01	COVER, GRIP	1	1	
FOP-3-4	5	HZW7-24813-U01	ARM, NEUTRAL LOCK	1	1	
FOP-3-4	6	HZW7-24814-U01	COVER, LOCK ARM	1	1	
FOP-3-4	7	HZW7-24815-U01	SPRING, NEUTRAL LOCK ARM	1	1	
FOP-3-4	8	HZW5-24816-U01	BUTTON, THROTTLE	1	1	
FOP-3-4	9	HZW7-24817-U01	SHAFT, THROTTLE BUTTON	1	1	
FOP-3-4	10	HZW5-24826-U01	PLATE, DWELL	1	1	
FOP-3-4	11	HZZ3-24830-R41	COVER ASSY.	1	1	
FOP-3-4	12	HZW5-24831-U01	TERMINAL, CABLE	2	2	
FOP-3-4	13	HZW5-24832-U01	SPACER, CABLE CLAMP	1	1	
FOP-3-4	14	HZW7-24832-U01	HOLDER, NEUTRAL LOCK	1	1	
FOP-3-4	15	HZW7-24833-U01	BASE	1	1	
FOP-3-4	16	HZW7-32530-U20	SUB HARNESS ASSY., POWER	1	1	TRIM-TILT(C)
FOP-3-4	17	HZW7-35370-U02	SWITCH ASSY., POWER TRIM-TILT	1	1	(C)
FOP-3-4	18	HZZ3-87701-R40	MARK, HANDLE FLUSH MOUNT	1	1	
FOP-3-4	19	HZW7-87703-U00	MARK, FLUSH MOUNT	1	1	
FOP-3-4	20	HZW5-90101-U00	SCREW, PAN, 5X16	1	1	
FOP-3-4	21	HZW7-90101-U01	SCREW, TRUSS, 4X12	1	1	
FOP-3-4	22	HZW7-90102-U01	SCREW, PAN, 5X30	4	4	
FOP-3-4	23	HZW7-90103-U01	SCREW, PAN, 6X35	3	3	
FOP-3-4	24	HZW7-90104-U01	SCREW, TAPPING, 6X30	3	3	
FOP-3-4	25	HZW7-90301-U01	NUT, HEX., 6MM	3	3	
FOP-3-4	26	HZW5-90501-U00	WASHER, LOCK, 5MM	4	4	
FOP-3-4	27	HZW7-90502-U00	WASHER, PLAIN, 6MM	3	3	
FOP-3-4	28	HCO-94540-06029	E-RING, 6MM	2	2	



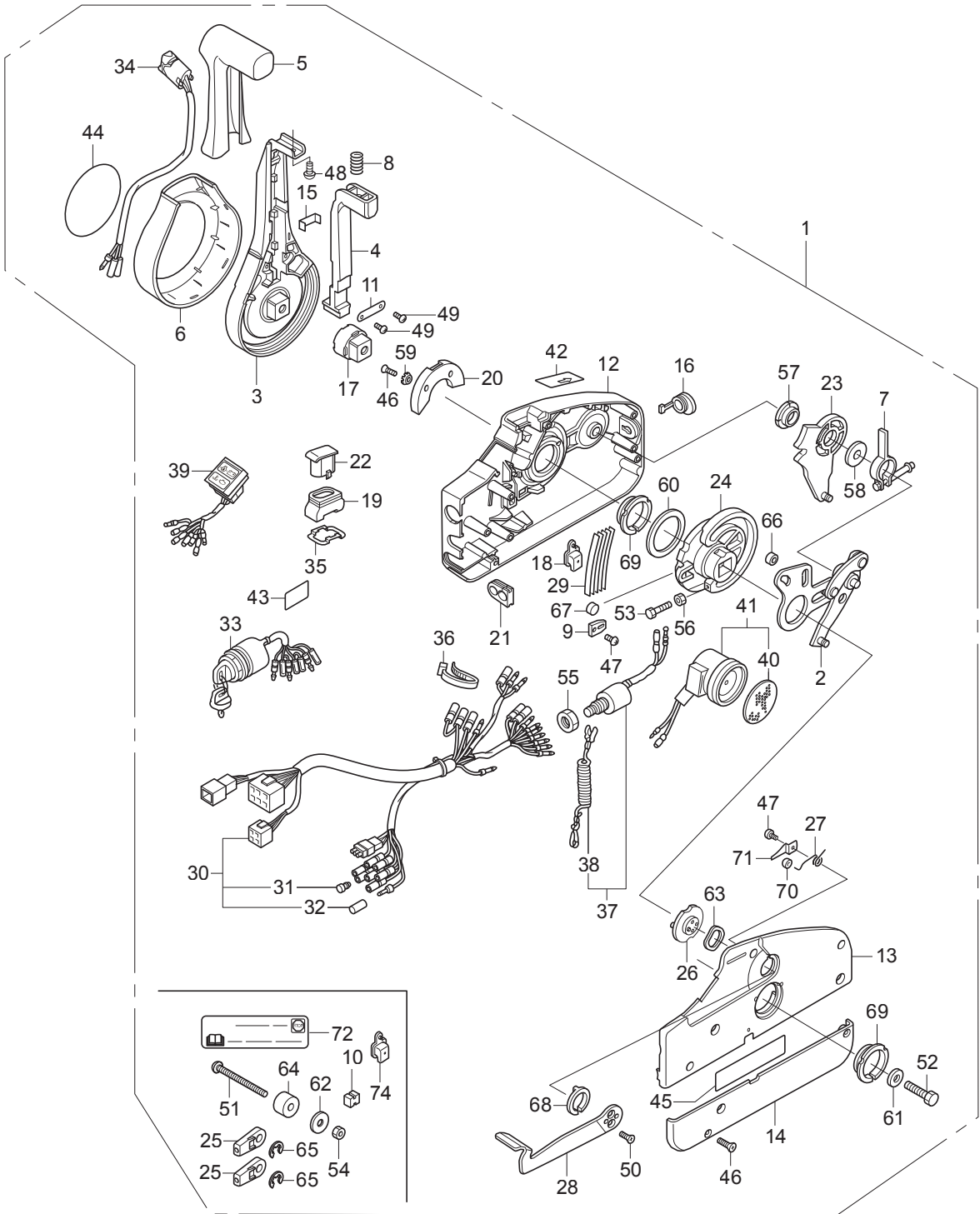
Ref.No.	Part No.	Description	Q' ty		Remarks	
			BFT200A	BFT225A		
FOP-3-6	1	HZZ3-24800-R00	BOX ASSY., REMOTE CONTROL(EU)	1	1	
FOP-3-6	2	HZV5-24811-010	HANDLE, REMOTE CONTROL	1	1	
FOP-3-6	3	HZV5-24812-000	LEVER, HANDLE LOCK	1	1	
FOP-3-6	4	HZV5-24813-000	GRIP, REMOTE CONTROL HANDLE	1	1	
FOP-3-6	5	HZV5-24814-010	CAP, HANDLE	1	1	
FOP-3-6	6	HZV5-24815-010	BLOCK, NEUTRAL LOCK	1	1	
FOP-3-6	7	HZV5-24816-000	SPRING, REMOTE CONTROL HANDLE	1	1	
FOP-3-6	8	HZV5-24817-000	PLATE, LEVER SETTING	1	1	
FOP-3-6	9	HZV5-24818-003	CLAMP, HARNESS	1	1	
FOP-3-6	10	HZV5-24820-010	HOUSING COMP., REMOTE CONTROL	1	1	BOX(A)
FOP-3-6	11	HZV5-24830-010	HOUSING COMP., REMOTE CONTROL	1	1	BOX(B)
FOP-3-6	12	HZV5-24836-000	HOUSING, REMOTE CONTROL BOX(C)	1	1	
FOP-3-6	13	HZV5-24841-000	WHEEL, CONTROL	1	1	
FOP-3-6	14	HZV5-24845-000	ARM COMP., SHIFT LINK	1	1	
FOP-3-6	15	HZV5-24850-000	PLATE COMP., SLIDING	1	1	
FOP-3-6	16	HZV5-24854-000	COLLAR, SLIDING PLATE	1	1	
FOP-3-6	17	HZV5-24855-000	PIVOT, SHIFT	2	2	
FOP-3-6	18	HZV5-24860-000	ARM COMP., LINK JOINT	1	1	
FOP-3-6	19	HZV5-24865-000	BRACKET, LINK JOINT	1	1	
FOP-3-6	20	HZV5-24875-000	WHEEL, ACCELERATOR	1	1	
FOP-3-6	21	HZV5-24876-000	SPRING, ACCELERATOR WHEEL	1	1	
FOP-3-6	22	HZV5-24878-000	LEVER, IDLE	1	1	
FOP-3-6	23	HZV5-24881-000	PLATE, SPRING SETTING	2	2	
FOP-3-6	24	HZV5-24883-000	SPRING, SHIFT CLICK	1	1	
FOP-3-6	25	HZV5-24884-000	SPRING, CHOKE RETURN	1	1	
FOP-3-6	26	HZV5-24885-000	SPACER, REMOTE CONTROL BOX	1	1	
FOP-3-6	27	HZV5-24887-000	SPACER, CLICK SPRING	1	1	
FOP-3-6	28	HZV5-24891-000	BLOCK, THROTTLE FRICTION	1	1	
FOP-3-6	29	HZV5-24892-000	BOLT, FRICTION	1	1	



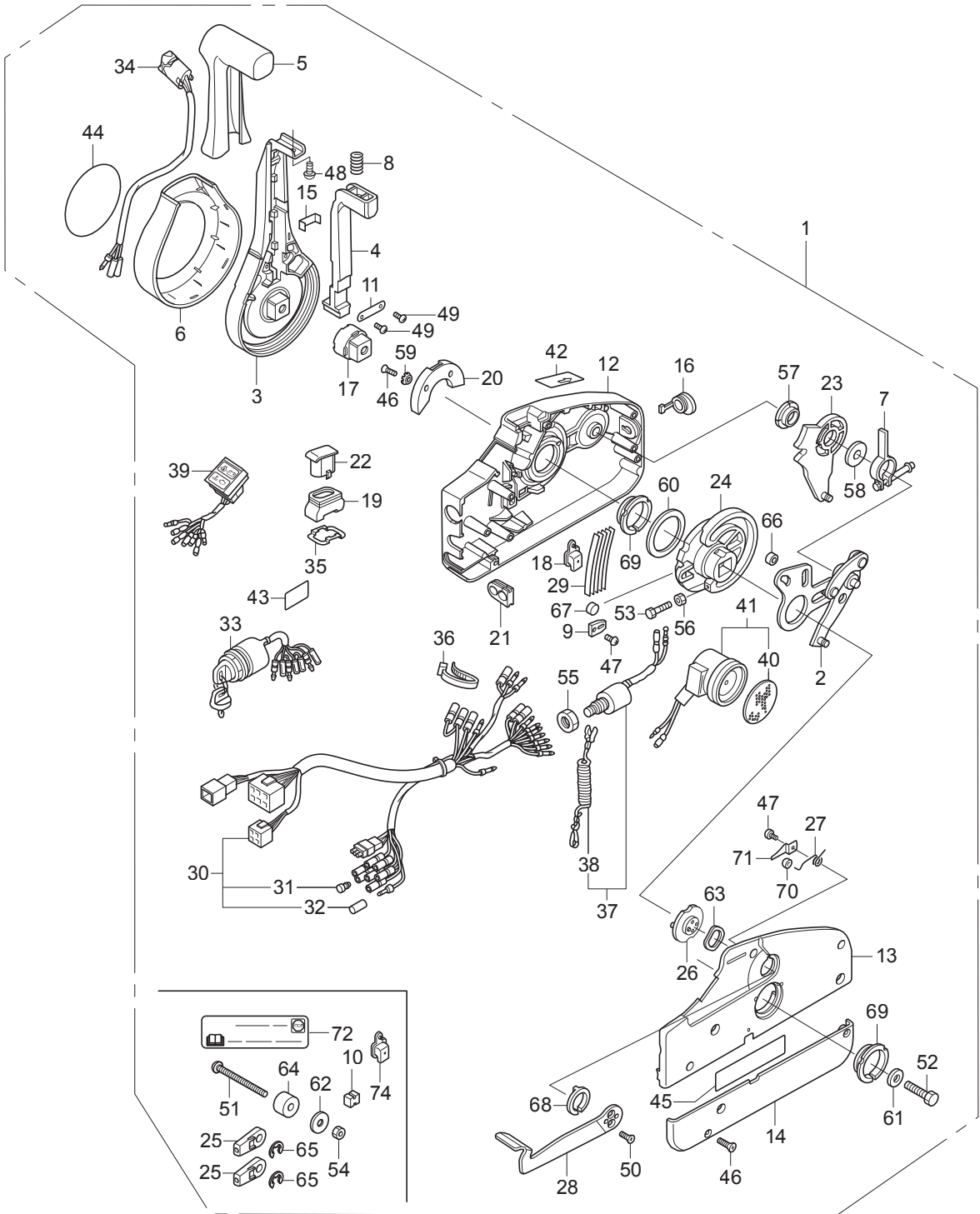
Ref.No.	Part No.	Description	Q' ty		Remarks	
			BFT200A	BFT225A		
FOP-3-6	30	HZV5-24894-000	SPACER, NEUTRAL SWITCH	1	1	
FOP-3-6	31	HZV5-24895-000	CLAMP, POWER TILT CORD	1	1	
FOP-3-6	32	HZV5-24897-000	PIPE, HARNESS GUIDE	1	1	
FOP-3-6	33	HZV5-24898-000	SPACER, CABLE CLAMP	1	1	
FOP-3-6	34	HZZ5-32530-000	CABLE ASSY., REMOTE CONTROL(B)	1	1	
FOP-3-6	35	HZV5-32823-003	PLUG, INNER CONNECTOR	7	7	
FOP-3-6	36	HZV5-32824-003	PLUG, OUTER CONNECTOR	1	1	
FOP-3-6	37	H952-32901-770	TIE, CABLE(NATURAL)(2.4X92)	1	1	
FOP-3-6	38	HZZ3-35100-R11	SWITCH ASSY., COMBINATION	1	1	
FOP-3-6	39	HZV5-35370-823	SWITCH ASSY., POWER TRIM-TILT	1	1	
FOP-3-6	40	HMG9-35701-950	BAND(BLACK 3.5X140)	1	1	
FOP-3-6	41	HZV5-36180-033	SWITCH ASSY., EMERGENCY STOP	1	1	
FOP-3-6	42	HZV4-36182-651	CORD COMP., EMERGENCY	1	1	
FOP-3-6	43	HZV4-36187-652	CLIP, EMERGENCY LOCK	1	1	
FOP-3-6	44	HZZ5-37210-013	LAMP ASSY., INDICATION	1	1	
FOP-3-6	45	H341-38403-672	PLATE, WINKER BUZZER	1	1	
FOP-3-6	46	HZV5-38410-003	BUZZER COMP., WARNING	1	1	
FOP-3-6	47	HZZ3-87701-R00	PLATE, REMOTE CONTROL	1	1	
FOP-3-6	48	HZW9-87702-800	MARK, FAST IDLE	1	1	
FOP-3-6	49	HZW9-90008-000	BOLT, FLANGE, 8X35	1	1	
FOP-3-6	50	HMM4-90105-000	SCREW, PAN, 6X10	1	1	
FOP-3-6	51	HZW4-90108-000	SCREW, FLAT, 5X12	2	2	
FOP-3-6	52	HZV5-90125-000	SCREW, 6X95	3	3	
FOP-3-6	53	H921-90302-000	NUT, HEX., 16MM	1	1	
FOP-3-6	54	HZV4-90304-000	NUT, HEX., 6MM	3	3	
FOP-3-6	55	HZW4-90401-000	WASHER, PLAIN, 4MM	2	2	
FOP-3-6	56	HZW4-90402-000	WASHER, PLAIN, 5MM	2	2	
FOP-3-6	57	HZV4-90502-000	WASHER, PLAIN, 5MM	1	1	
FOP-3-6	58	H921-90504-010	WASHER, PLAIN, 6MM	5	5	



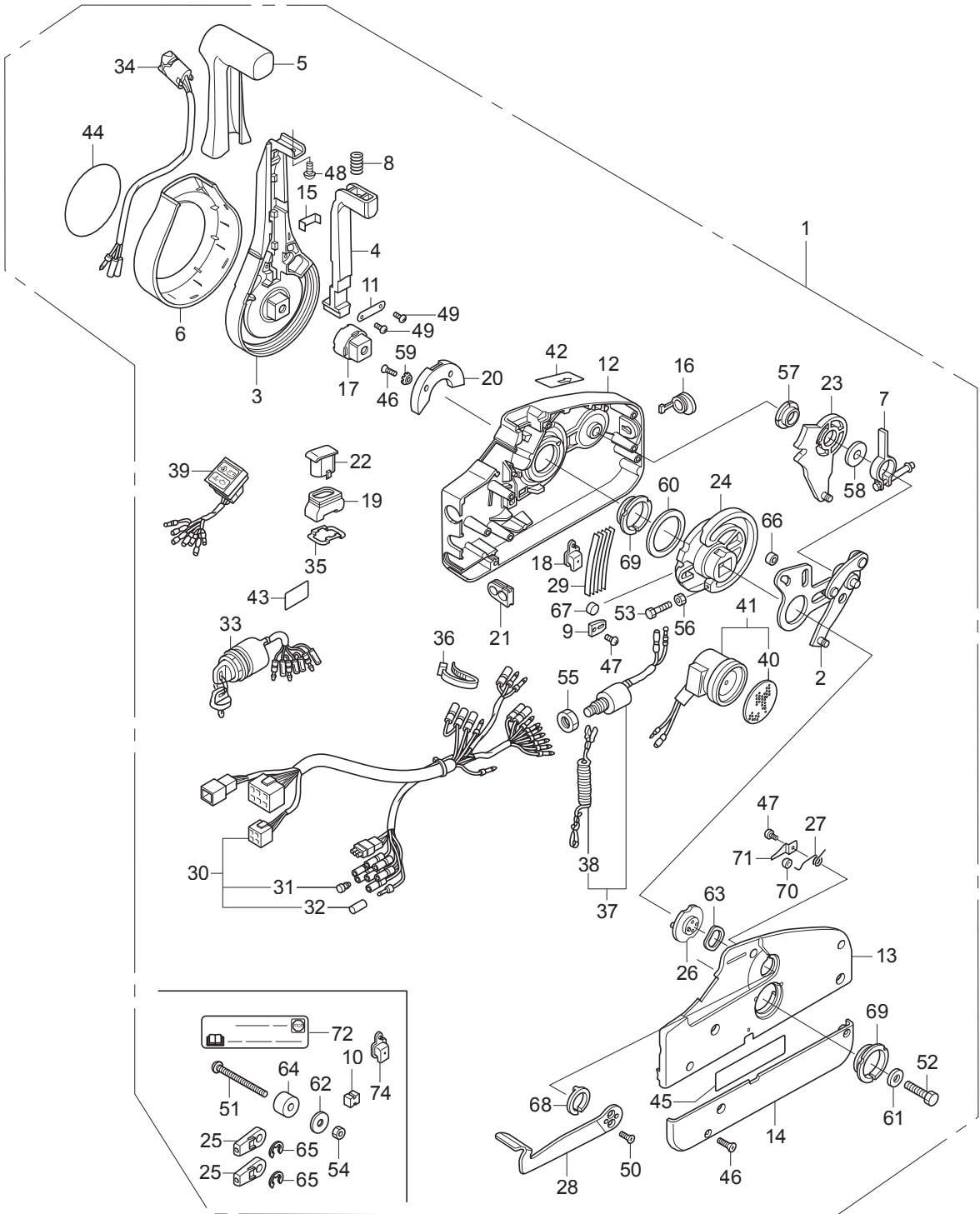
Ref.No.	Part No.	Description	Q' ty		Remarks
			BFT200A	BFT225A	
FOP-3-6	59	H921-90512-010	WASHER, 6MM	6	6
FOP-3-6	60	H921-90518-000	WASHER, PLAIN, 8MM	1	1
FOP-3-6	61	HZV5-90557-000	WASHER, 28MM	1	1
FOP-3-6	62	HZV5-90751-000	PIN, LOCK, 6MM	2	2
FOP-3-6	63	HZV5-90772-000	PIN, 6X6	1	1
FOP-3-6	64	HZV5-91151-000	ROLLER, CLICK	1	1
FOP-3-6	65	HSB6-91475-000	CLIP, WIRE HARNESS(6.3MM)	1	1
FOP-3-6	66	HZV5-91567-000	COLLAR, LINK JOINT	2	2
FOP-3-6	67	HZV5-91570-000	COLLAR, DISTANCE, 6X10X43.5	3	3
FOP-3-6	68	HCO-92101-05016-4J	BOLT, HEX., 5X16	1	1
FOP-3-6	69	HCO-93500-05010-4J	SCREW, PAN, 5X10	2	2
FOP-3-6	70	HCO-93901-250J0	SCREW, TAPPING, 5X8	2	2
FOP-3-6	71	HCO-93901-251J0	SCREW, TAPPING, 5X10	3	3
FOP-3-6	72	HCO-93901-252J0	SCREW, TAPPING, 5X12	1	1
FOP-3-6	73	HCO-93903-262J0	SCREW, TAPPING, 6X16	2	2
FOP-3-6	74	HCO-93905-255J0	SCREW, TAPPING, 5X25	7	7
FOP-3-6	75	HCO-94001-06490-0S	NUT, HEX., 6MM	1	1
FOP-3-6	76	HCO-94002-05490-0S	NUT, HEX., 5MM	1	1
FOP-3-6	77	HCO-94540-03029	E-RING, 3MM	1	1
FOP-3-6	78	HCO-94540-04029	E-RING, 4MM	1	1
FOP-3-6	79	HCO-94540-07029	E-RING, 7MM	1	1



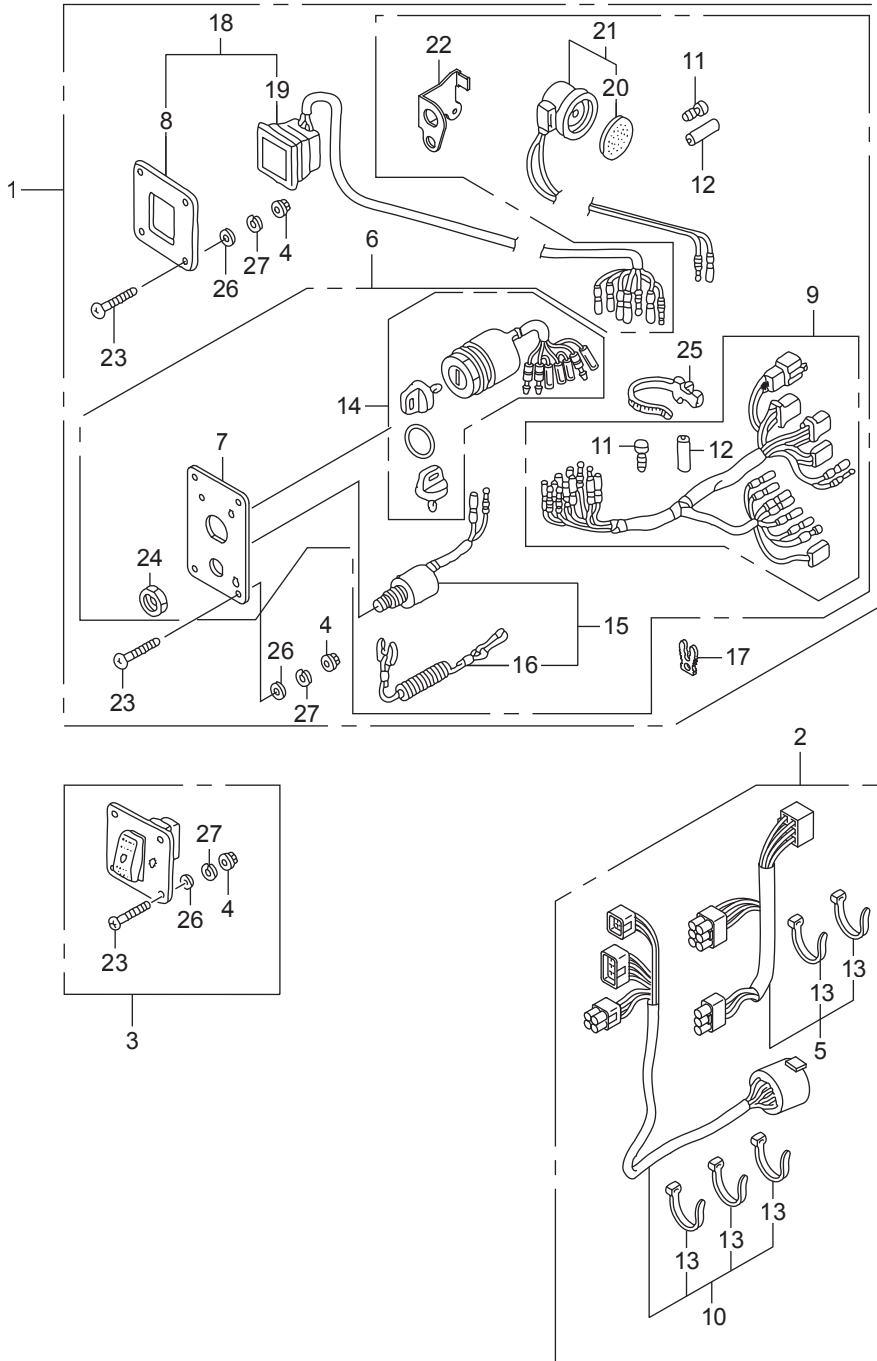
Ref.No.	Part No.	Description	Q' ty		Remarks	
			BFT200A	BFT225A		
FOP-3-7	1	HZZ3-24800-P12	BOX ASSY., REMOTE CONTROL (NHK MEC)	1	1	
FOP-3-7	2	HZZ5-24810-D01	PLATE ASSY.	1	1	
FOP-3-7	3	HZZ5-24811-D01	LEVER, HAND	1	1	
FOP-3-7	4	HZZ5-24812-D01	ARM, NEUTRAL LOCK	1	1	
FOP-3-7	5	HZZ5-24813-D01	GRIP	1	1	
FOP-3-7	6	HZZ5-24814-D01	COVER, LEVER	1	1	
FOP-3-7	7	HZZ5-24815-D01	ARM ASSY., BRAKE	1	1	
FOP-3-7	8	HZZ5-24816-D01	SPRING(2)	1	1	
FOP-3-7	9	HZZ5-24817-D01	CLIP, DETENT	1	1	
FOP-3-7	10	HZZ5-24818-D01	SPACER(1)(LOOSE PARTS)	1	1	
FOP-3-7	11	HZZ5-24819-D01	BRACKET	1	1	
FOP-3-7	12	HZZ5-24821-D01	HOUSING, FR.	1	1	
FOP-3-7	13	HZZ5-24822-D01	HOUSING, RR.	1	1	
FOP-3-7	14	HZZ5-24823-D01	PANEL, BACK	1	1	
FOP-3-7	15	HZZ5-24824-D01	BRACKET, WIRE CLAMP	1	1	
FOP-3-7	16	HZZ5-24826-D01	CAP, RUBBER	1	1	
FOP-3-7	17	HZZ5-24827-D01	ADJUSTER	1	1	
FOP-3-7	18	HZZ5-24828-D01	COVER, POWER TRIM-TILT WIRE	1	1	
FOP-3-7	19	HZZ5-24829-D01	SEAL, RUBBER	1	1	
FOP-3-7	20	HZZ5-24831-D01	HOLDER, NEUTRAL LOCK	1	1	
FOP-3-7	21	HZZ5-24832-D01	GROMMET, WIRE(14)	1	1	
FOP-3-7	22	HZZ5-24833-D01	CAP, TROLLING CONTROL SWITCH BLANK	1	1	
FOP-3-7	23	HZZ5-24845-D01	GEAR ASSY., SHIFT	1	1	
FOP-3-7	24	HZZ5-24850-D01	GEAR, DRIVE	1	1	
FOP-3-7	25	HZZ5-24855-D01	TERMINAL, CABLE(LOOSE PARTS)	2	2	
FOP-3-7	26	HZZ5-24875-D01	DRUM ASSY., FREE THROTTLE	1	1	
FOP-3-7	27	HZZ5-24876-D01	SPRING(1)	1	1	
FOP-3-7	28	HZZ5-24878-D01	LEVER, FREE THROTTLE	1	1	
FOP-3-7	29	HZZ5-24883-D01	SPRING, DETENT	5	5	



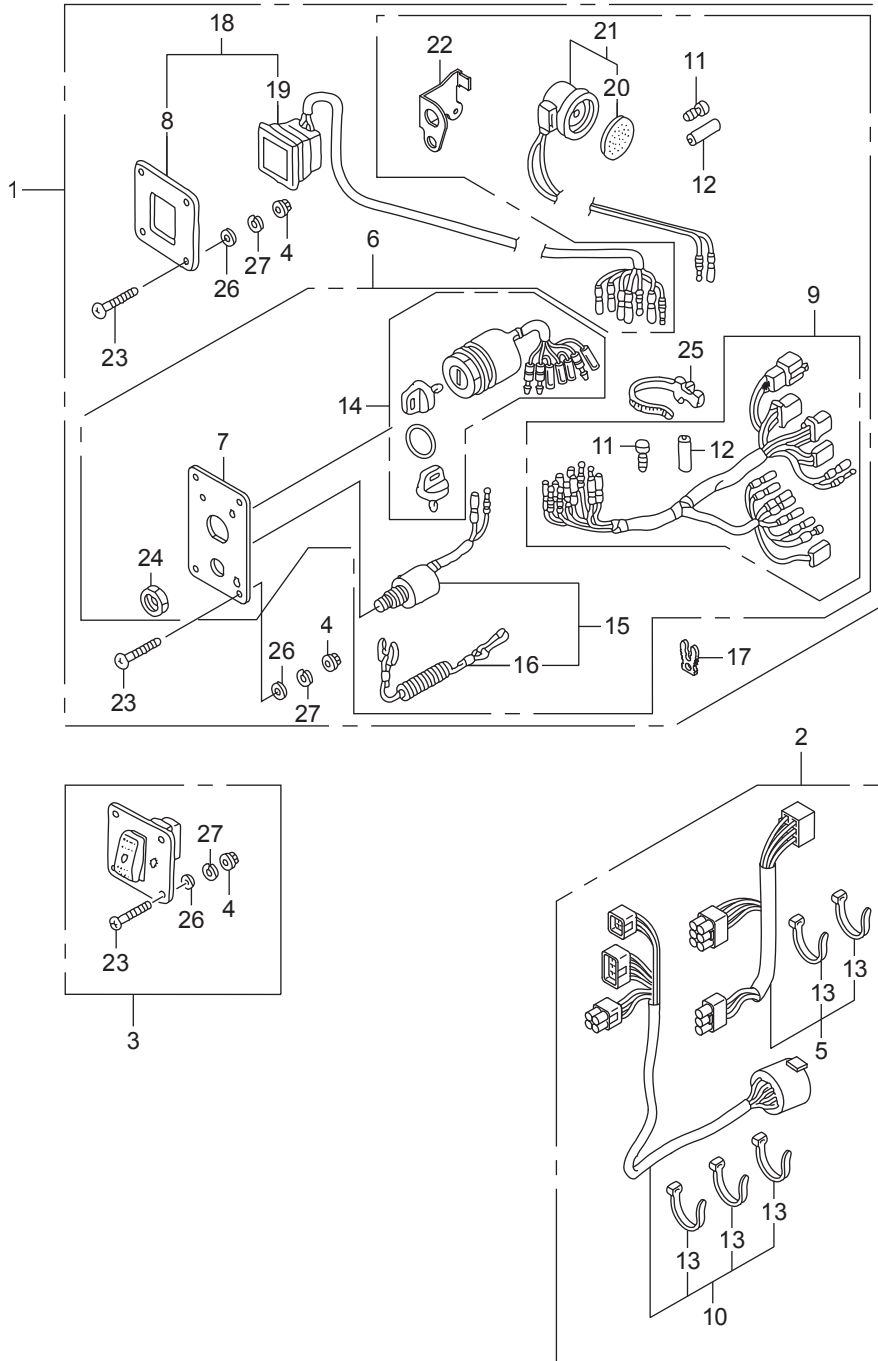
Ref.No.	Part No.	Description	Q' ty		Remarks	
			BFT200A	BFT225A		
FOP-3-7	30	HZZ5-32530-D01	CABLE ASSY., REMOTE CONTROL(B)	1	1	
FOP-3-7	31	HZV5-32823-003	PLUG, INNER CONNECTOR	7	7	
FOP-3-7	32	HZV5-32824-003	PLUG, OUTER CONNECTOR	1	1	
FOP-3-7	33	HZZ3-35100-R11	SWITCH ASSY., COMBINATION	1	1	
FOP-3-7	34	HZZ5-35370-D02	SWITCH ASSY., POWER TRIM-TILT	1	1	
FOP-3-7	35	HZZ3-35645-A41	PLATE, SWITCH	1	1	
FOP-3-7	36	HZZ5-35701-D01	BAND, WIRE	1	1	
FOP-3-7	37	HZV5-36180-033	SWITCH ASSY., EMERGENCY STOP	1	1	
FOP-3-7	38	HZV4-36182-651	CORD COMP., EMERGENCY	1	1	
FOP-3-7	39	HZZ5-37210-D01	LAMP ASSY., INDICATION	1	1	
FOP-3-7	40	H341-38403-672	PLATE, WINKER BUZZER	1	1	
FOP-3-7	41	HZV5-38410-003	BUZZER COMP., WARNING	1	1	
FOP-3-7	42	HZZ5-87701-D00	MARK, FAST IDLE	1	1	
FOP-3-7	43	HZZ5-87702-A00	MARK, EMERGENCY STOP(US)	1	1	
FOP-3-7	44	HZZ5-87703-P00	MARK, EMBLEM	1	1	
FOP-3-7	45	HZZ5-87704-D01	LABEL, SIGP	1	1	
FOP-3-7	46	HZZ5-90101-D01	SCREW, 5X18	7	7	
FOP-3-7	47	HZZ5-90102-D01	SCREW, 4X6	2	2	
FOP-3-7	48	HZZ5-90103-D01	SCREW, 5X10	1	1	
FOP-3-7	49	HZZ5-90104-D01	SCREW, 4X10	2	2	
FOP-3-7	50	HZZ5-90106-D01	SCREW, 5X12	2	2	
FOP-3-7	51	HZZ5-90107-D01	SCREW, 6X90(LOOSE PARTS)	3	3	
FOP-3-7	52	HZZ5-90108-D01	BOLT, 8X50	1	1	
FOP-3-7	53	HZZ5-90109-D01	BOLT, 5X25	1	1	
FOP-3-7	54	HZZ5-90301-D01	NUT, 6MM(LOOSE PARTS)	3	3	
FOP-3-7	55	H921-90302-000	NUT, HEX., 16MM	1	1	
FOP-3-7	56	HZZ5-90302-D01	NUT, 5MM	1	1	
FOP-3-7	57	HZZ5-90501-D01	BEARING(1)	1	1	
FOP-3-7	58	HZZ5-90502-D01	WASHER(3)	1	1	



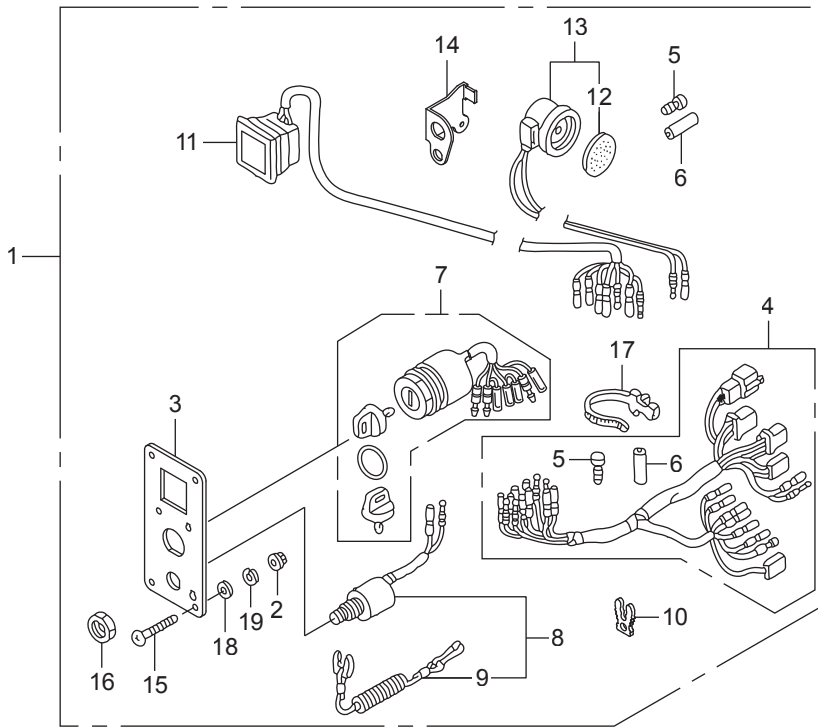
Ref.No.	Part No.	Description	Q' ty		Remarks	
			BFT200A	BFT225A		
FOP-3-7	59	HZZ5-90503-D01	WASHER(4)	2	2	
FOP-3-7	60	HZZ5-90504-D01	WASHER(5)	1	1	
FOP-3-7	61	HZZ5-90506-D01	WASHER, 8MM	1	1	
FOP-3-7	62	HZZ5-90507-D01	WASHER(7)(LOOSE PARTS)	3	3	
FOP-3-7	63	HZZ5-90508-D01	WASHER, WAVE	1	1	
FOP-3-7	64	HZZ5-90509-D01	SPACER(2)(LOOSE PARTS)	3	3	
FOP-3-7	65	HZZ5-90651-D01	E-RING, 6MM(LOOSE PARTS)	2	2	
FOP-3-7	66	HZZ5-91151-D01	ROLLER, DRIVE GEAR CAM	1	1	
FOP-3-7	67	HZZ5-91152-D01	ROLLER	1	1	
FOP-3-7	68	HZZ5-91153-D01	BEARING(2)	1	1	
FOP-3-7	69	HZZ5-91154-D01	BEARING(3)	2	2	
FOP-3-7	70	HZZ5-91156-D01	ROLLER, FREE THROTTLE	1	1	
FOP-3-7	71	HZZ5-91157-D01	CLIP, ROLLER	1	1	
FOP-3-7	72	HZZ5-87702-A00	MARK, EMERGENCY STOP(US)(LOOSE PARTS)	1	1	
FOP-3-7	74	HZZ5-24828-D01	COVER, POWER TRIM-TILT WIRE(LOOSE PARTS)	1	1	



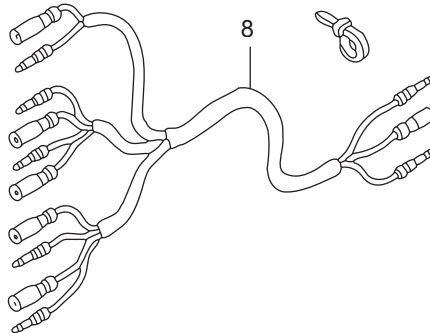
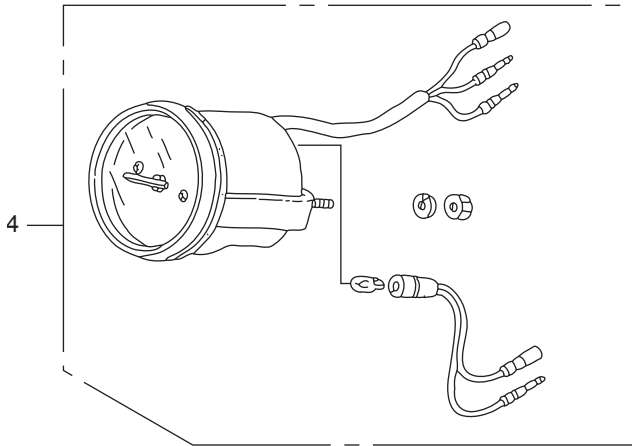
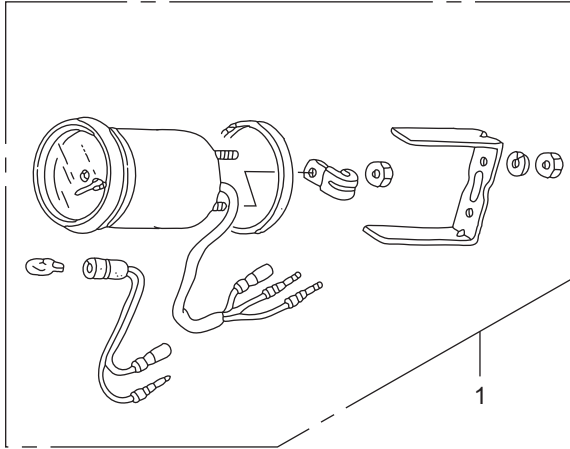
Ref.No.	Part No.	Description	Q' ty		Remarks	
			BFT200A	BFT225A		
FOP-4	1	HZZ3-06323-R20	PANEL KIT, SWITCH(B)(4-LED)	1	1	
FOP-4	2	HZZ5-06325-600	CABLE SET, PANEL INDICATOR	1	1	(20FT)
FOP-4	2	HZZ5-06325-700	CABLE SET, PANEL INDICATOR	1	1	(25FT)
FOP-4	2	HZZ5-06325-800	CABLE SET, PANEL INDICATOR	1	1	(30FT)
FOP-4	3	HZW5-06352-U01	SWITCH KIT, LIGHT	1	1	
FOP-4	4	HMT8-18334-770	NUT, FLANGE, 5MM	12	12	
FOP-4	5	HZZ5-32185-600	CORD ASSY., INDICATOR(20FT)	1	1	
FOP-4	5	HZZ5-32185-700	CORD ASSY., INDICATOR(25FT)	1	1	
FOP-4	5	HZZ5-32185-800	CORD ASSY., INDICATOR(30FT)	1	1	
FOP-4	6	HZZ3-32341-R31	PANEL ASSY., SWITCH	1	1	
FOP-4	7	HZZ3-32346-R21	PANEL, CONTROL	1	1	
FOP-4	8	HZZ3-32347-R01	PANEL, CONTROL	1	1	
FOP-4	9	HZZ5-32545-000	HARNESS ASSY., SWITCH PANEL	1	1	
FOP-4	10	HZZ5-32580-600	CABLE ASSY., SWITCH PANEL	1	1	(20FT)
FOP-4	10	HZZ5-32580-700	CABLE ASSY., SWITCH PANEL	1	1	(25FT)
FOP-4	10	HZZ5-32580-800	CABLE ASSY., SWITCH PANEL	1	1	(30FT)
FOP-4	10	HZZ5-32580-D01	CABLE ASSY., SWITCH PANEL (20FT)(NHK MEC)	1	1	
FOP-4	10	HZZ5-32580-D11	CABLE ASSY., SWITCH PANEL (25FT)(NHK MEC)	1	1	
FOP-4	10	HZZ5-32580-D21	CABLE ASSY., SWITCH PANEL (30FT)(NHK MEC)	1	1	
FOP-4	11	HZV5-32823-003	PLUG, INNER CONNECTOR	8	8	
FOP-4	12	HZV5-32824-003	PLUG, OUTER CONNECTOR	3	3	
FOP-4	13	H952-32901-770	TIE, CABLE(NATURAL)(2.4X92)	5	5	
FOP-4	14	HZZ3-35100-R11	SWITCH ASSY., COMBINATION	1	1	
FOP-4	15	HZV5-36180-033	SWITCH ASSY., EMERGENCY STOP	1	1	
FOP-4	16	HZV4-36182-651	CORD COMP., EMERGENCY	1	1	
FOP-4	17	HZV4-36187-652	CLIP, EMERGENCY LOCK	1	1	
FOP-4	18	HZZ3-37205-R01	PANEL ASSY., INDICATOR(4-LED)	1	1	
FOP-4	19	HZZ5-37210-762	LAMP ASSY., INDICATION(4-LED)	1	1	
FOP-4	20	H341-38403-672	PLATE, WINKER BUZZER	1	1	

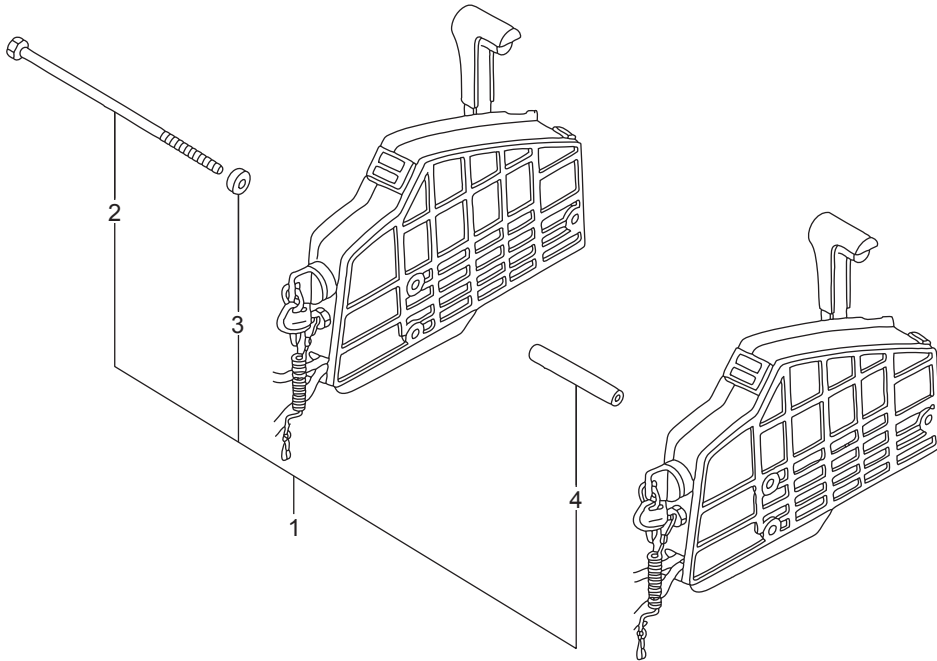


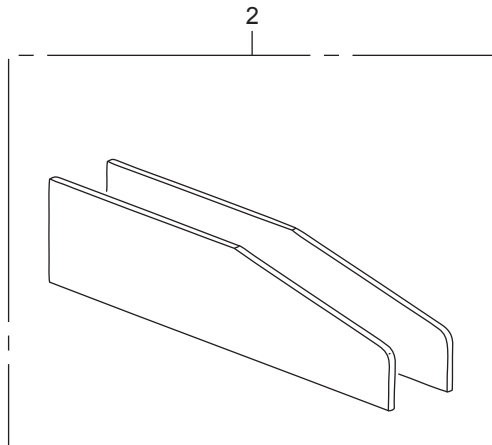
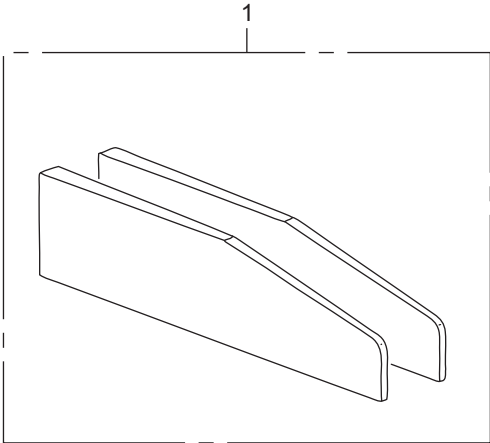
Ref.No.	Part No.	Description	Q'ty		Remarks	
			BFT200A	BFT225A		
FOP-4	21	HZV5-38410-003	BUZZER COMP., WARNING	1	1	
FOP-4	22	HZZ5-38414-003	BRACKET, BUZZER	1	1	
FOP-4	23	HZW5-90109-000	SCREW, PAN, 5X40	12	12	
FOP-4	24	H921-90302-000	NUT, HEX., 16MM	1	1	
FOP-4	25	HSC2-90649-003	BAND, WIRE HARNESS(NATURAL)	1	1	(150MM)
FOP-4	26	HCO-94103-05400	WASHER, PLAIN, 5MM	12	12	
FOP-4	27	HCO-94111-05400	WASHER, SPRING, 5MM	12	12	

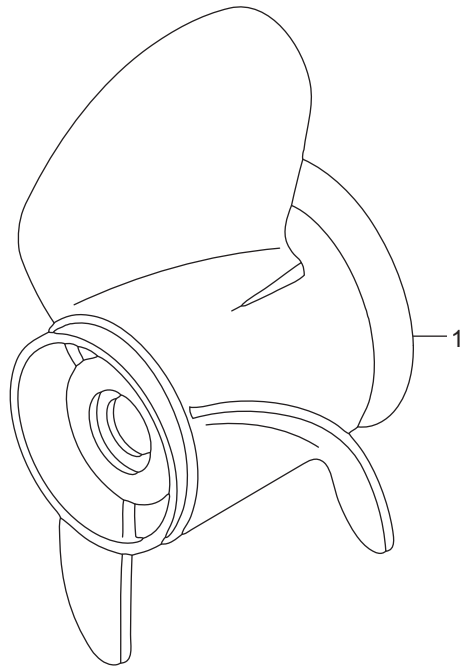


Ref.No.	Part No.	Description	Q' ty		Remarks	
			BFT200A	BFT225A		
FOP-4-1	1	HZZ3-06323-R30	PANEL KIT, SWITCH(4-LED)	1	1	
FOP-4-1	2	HMT8-18334-770	NUT, FLANGE, 5MM	4	4	
FOP-4-1	3	HZZ3-32346-R31	PANEL, CONTROL	1	1	
FOP-4-1	4	HZZ5-32545-000	HARNESS ASSY., SWITCH PANEL	1	1	
FOP-4-1	5	HZV5-32823-003	PLUG, INNER CONNECTOR	8	8	
FOP-4-1	6	HZV5-32824-003	PLUG, OUTER CONNECTOR	3	3	
FOP-4-1	7	HZZ3-35100-R11	SWITCH ASSY., COMBINATION	1	1	
FOP-4-1	8	HZV5-36180-033	SWITCH ASSY., EMERGENCY STOP	1	1	
FOP-4-1	9	HZV4-36182-651	CORD COMP., EMERGENCY	1	1	
FOP-4-1	10	HZV4-36187-652	CLIP, EMERGENCY LOCK	1	1	
FOP-4-1	11	HZZ5-37210-712	LAMP ASSY., INDICATION(4-LED)	1	1	
FOP-4-1	12	H341-38403-672	PLATE, WINKER BUZZER	1	1	
FOP-4-1	13	HZV5-38410-003	BUZZER COMP., WARNING	1	1	
FOP-4-1	14	HZZ5-38414-003	BRACKET, BUZZER	1	1	
FOP-4-1	15	HZW5-90109-000	SCREW, PAN, 5X40	4	4	
FOP-4-1	16	H921-90302-000	NUT, HEX., 16MM	1	1	
FOP-4-1	17	HSC2-90649-003	BAND, WIRE HARNESS(NATURAL)	1	1	(150MM)
FOP-4-1	18	HCO-94103-05400	WASHER, PLAIN, 5MM	4	4	
FOP-4-1	19	HCO-94111-05400	WASHER, SPRING, 5MM	4	4	

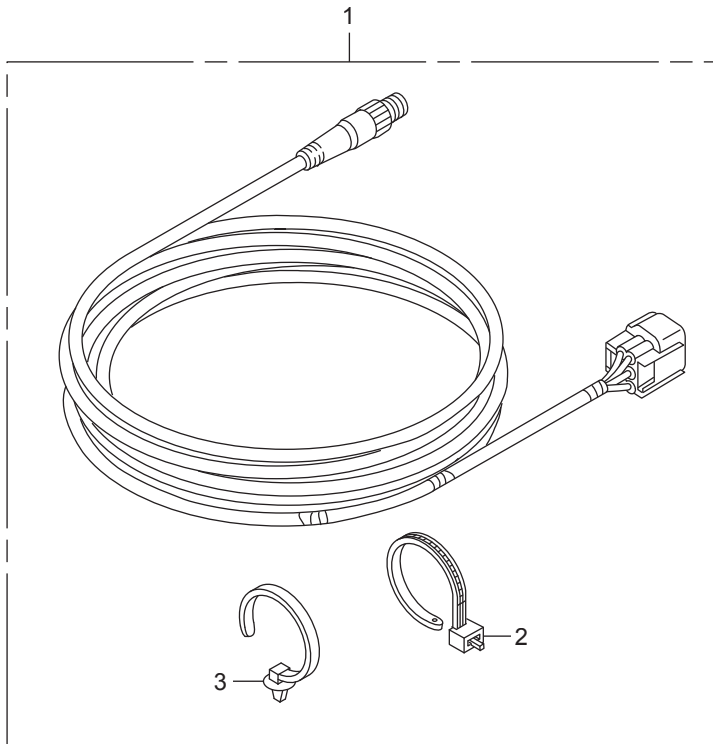








Ref.No.	Part No.	Description	Q' ty		Remarks	
			BFT200A	BFT225A		
FOP-10	1	HZY3-58130-T00	PROPELLER COMP., THREE BLADES	1	1	(14-1/2X15)(SUS) LA,XA
FOP-10	1	HZY3-58130-T10	PROPELLER COMP., THREE BLADES	1	1	(14-1/4X17)(SUS) LA,XA
FOP-10	1	HZY3-58130-T20	PROPELLER COMP., THREE BLADES	1	1	(14X19)(SUS) LA,XA
FOP-10	1	HZY3-58130-T30	PROPELLER COMP., THREE BLADES	1	1	(14X21)(SUS) LA,XA
FOP-10	1	HZY3-58130-T40	PROPELLER COMP., THREE BLADES	1	1	(14-1/2X23)(SUS) LA,XA
FOP-10	1	HZY3-58130-T50	PROPELLER COMP., THREE BLADES	1	1	(14X25)(SUS) LA,XA
FOP-10	1	HZY3-58130-V01ZA	PROPELLER COMP., THREE BLADES	1	1	(15-1/2X13)(AL) *NH283* STIN GRAY LA,XA
FOP-10	1	HZY3-58130-V11ZA	PROPELLER COMP., THREE BLADES	1	1	(15-1/4X15)(AL) *NH283* STIN GRAY LA,XA
FOP-10	1	HZY3-58130-V21ZA	PROPELLER COMP., THREE BLADES	1	1	(15X17)(AL) *NH283* STIN GRAY LA,XA
FOP-10	1	HZY3-58130-V31ZA	PROPELLER COMP., THREE BLADES	1	1	(14-3/4X19)(AL) *NH283* STIN GRAY LA,XA
FOP-10	1	HZY3-58130-V41ZA	PROPELLER COMP., THREE BLADES	1	1	(14-1/2X21)(AL) *NH283* STIN GRAY LA,XA
FOP-10	1	HZY3-58130-V51ZA	PROPELLER COMP., THREE BLADES	1	1	(14-1/4X23)(AL) *NH283* STIN GRAY LA,XA
FOP-10	1	HZY3-58180-T00	PROPELLER COMP., THREE BLADES	1	1	(14-1/2X15)(C/R) XCA
FOP-10	1	HZY3-58180-T10	PROPELLER COMP., THREE BLADES	1	1	(14-1/4X17)(C/R) XCA
FOP-10	1	HZY3-58180-T20	PROPELLER COMP., THREE BLADES	1	1	(14X19)(C/R) XCA
FOP-10	1	HZY3-58180-T30	PROPELLER COMP., THREE BLADES	1	1	(14X21)(C/R) XCA
FOP-10	1	HZY3-58180-T40	PROPELLER COMP., THREE BLADES	1	1	(14-1/2X23)(C/R) XCA



INDEX

<A>		
ADJUSTER.....	FOP-3-7-17	
ARM ASSY, BRAKE.....	FOP-3-7-7	
ARM ASSY., FR. INTAKE ROCKER.....	E-9-10-4	
ARM ASSY., INTAKE ROCKER.....	E-9-10-5	
ARM COMP. A, EX. ROCKER.....	E-9-10-6	
ARM COMP. B, EX. ROCKER.....	E-9-10-7	
ARM COMP., LINK JOINT.....	FOP-3-6-18	
ARM COMP., SHIFT LINK.....	FOP-3-6-14	
ARM, FUEL PUMP ROCKER.....	E-9-10-3	
ARM, NEUTRAL LOCK.....	FOP-3-4-5	
ARM, NEUTRAL LOCK.....	FOP-3-7-4	
ARM, SHIFT.....	F-2-9	
ARM, THROTTLE.....	F-2-3	
ARMATURE COMP.....	F-11-7	
		
BAG, TOOL, 200MM.....	F-13-13	
BALL, STEEL.....	E-21-6	
BALL, STEEL, #12(3/8).....	F-5-31	
BALL, STEEL, #12(3/8).....	F-5-1-32	
BALL, STEEL, #7(7/32).....	F-5-30	
BALL, STEEL, #7(7/32).....	F-5-1-31	
BAND.....	E-18-56	
BAND(BLACK 3.5X140).....	F-11-3	
BAND(BLACK 3.5X140).....	FOP-3-6-40	
BAND, AIR FLOW.....	E-15-9	
BAND, TUBE CLIP, 12.5MM.....	F-8-20-5	
BAND, UNDER CASE GROMMET.....	F-8-10-4	
BAND, WIRE.....	F-10-6	
BAND, WIRE.....	F-10-76	
BAND, WIRE.....	FOP-3-7-36	
BAND, WIRE HARNESS.....	F-7-11-20	
BAND, WIRE HARNESS(NATURAL).....	FOP-4-25	
BAND, WIRE HARNESS(NATURAL).....	FOP-4-1-17	
BASE.....	FOP-3-4-15	
BASE COMP., TIMING BELT.....	E-13-10	
BASE, L. INJECTOR.....	E-14-13	
BASE, R. INJECTOR.....	E-14-11	
BEARING A, CONNECTING ROD.....	E-7-7	
BEARING A, MAIN LOWER(BLACK).....	E-7-11	
BEARING A, MAIN UPPER(BLACK).....	E-7-9	
BEARING B, CONNECTING ROD.....	E-7-7	
BEARING B, MAIN LOWER(BROWN).....	E-7-11	
BEARING B, MAIN UPPER(BROWN).....	E-7-9	
BEARING C, CONNECTING ROD.....	E-7-7	
BEARING C, MAIN LOWER(GREEN).....	E-7-11	
BEARING C, MAIN UPPER(GREEN).....	E-7-9	
BEARING D, CONNECTING ROD.....	E-7-7	
BEARING D, MAIN LOWER(YELLOW).....	E-7-11	
BEARING D, MAIN UPPER(YELLOW).....	E-7-9	
BEARING E, CONNECTING ROD.....	E-7-7	
BEARING E, MAIN LOWER(PINK).....	E-7-11	
BEARING E, MAIN UPPER(PINK).....	E-7-9	
BEARING F, MAIN LOWER(RED).....	E-7-11	
BEARING F, MAIN UPPER(RED).....	E-7-9	
BEARING(1).....	FOP-3-7-57	
BEARING(2).....	FOP-3-7-68	
BEARING(3).....	FOP-3-7-69	
BEARING, ANGULAR, 50X90X30.2.....	F-5-24	
BEARING, ANGULAR, 50X90X30.2.....	F-5-1-24	
BEARING, FR. GENERATOR.....	E-19-3	
BEARING, NEEDLE, 20X28X13.....	E-6-10-43	
BEARING, NEEDLE, 28X39X30.....	F-5-1-25	
BEARING, NEEDLE, 32X42X30.....	F-5-25	
BEARING, NEEDLE, 32X42X30.....	F-5-1-26	
BEARING, NEEDLE, 32X46X37.....	F-4-24	
BEARING, RR. GENERATOR.....	E-19-2	
BEARING, TAPER ROLLER.....	F-4-25	
BEARING, TAPER, 50X90X21.5.....	F-5-23	
BEARING, TAPER, 50X90X21.5.....	F-5-1-23	
BEARING, THRUST(F).....	F-5-22	
BEARING, THRUST(F).....	F-5-1-22	
BELT, A.C. GENERATOR.....	E-13-16	
BELT, TIMING(197YU26 B-333).....	E-13-6	
BLOCK ASSY., CYLINDER.....	E-3-3	
BLOCK, NEUTRAL LOCK.....	FOP-3-6-6	
BLOCK, THROTTLE FRICTION.....	FOP-3-6-28	
BODY.....	E-18-3	
BOLT A, THROUGH.....	E-21-14	
BOLT KIT, SIDE REMOTE CONTROL.....	FOP-7-1	
BOLT, 1/4-28UNF.....	F-10-36	
BOLT, 3/8-24UNF.....	F-10-43	
BOLT, 5X25.....	FOP-3-7-53	
BOLT, 8X50.....	FOP-3-7-52	
BOLT, CONNECTING ROD.....	E-7-5	
BOLT, COVER LOCK.....	F-8-11	
BOLT, DRAIN PLUG.....	E-6-11	
BOLT, DRAIN PLUG.....	F-3-14	
BOLT, FLANGE, 10X110.....	E-21-20	
BOLT, FLANGE, 10X120(SATO).....	E-6-10-25	
BOLT, FLANGE, 10X40.....	E-13-24	
BOLT, FLANGE, 10X43.....	E-13-25	
BOLT, FLANGE, 10X55.....	E-3-10-10	
BOLT, FLANGE, 10X70.....	E-6-10-52	
BOLT, FLANGE, 10X90.....	E-19-21	
BOLT, FLANGE, 10X90.....	E-21-19	
BOLT, FLANGE, 12MM.....	E-5-14	
BOLT, FLANGE, 12X120.....	E-6-10-53	
BOLT, FLANGE, 12X95.....	E-3-26	
BOLT, FLANGE, 5X10.....	E-14-10-17	
BOLT, FLANGE, 5X14.....	E-13-10-9	
BOLT, FLANGE, 6X10.....	E-14-22	
BOLT, FLANGE, 6X10.....	E-18-2-26	
BOLT, FLANGE, 6X10.....	E-20-11-8	
BOLT, FLANGE, 6X10.....	F-7-11-15	
BOLT, FLANGE, 6X11.....	F-2-24	
BOLT, FLANGE, 6X12.....	E-18-50	
BOLT, FLANGE, 6X12.....	E-18-2-27	
BOLT, FLANGE, 6X12.....	F-2-25	
BOLT, FLANGE, 6X12.....	F-7-3	
BOLT, FLANGE, 6X12.....	F-7-11-14	
BOLT, FLANGE, 6X12.....	F-8-10-29	
BOLT, FLANGE, 6X12.....	F-10-37	
BOLT, FLANGE, 6X14.....	E-3-33	
BOLT, FLANGE, 6X14.....	E-5-22	
BOLT, FLANGE, 6X14.....	E-14-21	
BOLT, FLANGE, 6X14.....	E-18-49	
BOLT, FLANGE, 6X14.....	F-8-10-27	
BOLT, FLANGE, 6X14(CT200).....	E-1-20	
BOLT, FLANGE, 6X14(CT200).....	E-13-19	
BOLT, FLANGE, 6X14(CT200).....	F-2-22	
BOLT, FLANGE, 6X16.....	E-3-31	
BOLT, FLANGE, 6X16.....	E-18-48	
BOLT, FLANGE, 6X16.....	E-19-23	
BOLT, FLANGE, 6X16.....	F-2-23	
BOLT, FLANGE, 6X16.....	F-4-17	
BOLT, FLANGE, 6X18.....	E-3-34	
BOLT, FLANGE, 6X18.....	E-5-23	
BOLT, FLANGE, 6X20.....	E-20-11-9	
BOLT, FLANGE, 6X20.....	F-7-30-7	
BOLT, FLANGE, 6X20.....	F-8-10	
BOLT, FLANGE, 6X20.....	F-8-10-30	
BOLT, FLANGE, 6X20.....	F-10-34	
BOLT, FLANGE, 6X20.....	F-10-40	
BOLT, FLANGE, 6X22.....	E-3-35	
BOLT, FLANGE, 6X22.....	E-3-10-8	
BOLT, FLANGE, 6X22.....	E-6-10-30	
BOLT, FLANGE, 6X22.....	E-13-22	
BOLT, FLANGE, 6X22.....	E-14-10-14	
BOLT, FLANGE, 6X22.....	E-15-19	
BOLT, FLANGE, 6X23.....	F-10-35	
BOLT, FLANGE, 6X25.....	E-14-19	
BOLT, FLANGE, 6X25.....	E-18-47	
BOLT, FLANGE, 6X32.....	E-3-10-9	
BOLT, FLANGE, 6X32.....	E-6-10-31	
BOLT, FLANGE, 6X32.....	E-14-10-16	
BOLT, FLANGE, 6X35.....	E-1-21	
BOLT, FLANGE, 6X35.....	E-3-32	
BOLT, FLANGE, 6X35.....	E-4-16	
BOLT, FLANGE, 6X35.....	E-14-20	
BOLT, FLANGE, 6X37.....	E-3-10-11	
BOLT, FLANGE, 6X40.....	E-6-10-37	
BOLT, FLANGE, 6X50.....	E-4-19	
BOLT, FLANGE, 6X55.....	E-3-10-14	
BOLT, FLANGE, 6X60.....	E-4-18	
BOLT, FLANGE, 6X60.....	E-15-20	
BOLT, FLANGE, 8X100.....	E-6-10-33	
BOLT, FLANGE, 8X18.....	F-7-11-16	
BOLT, FLANGE, 8X20.....	E-3-10-7	
BOLT, FLANGE, 8X20.....	E-9-14	
BOLT, FLANGE, 8X22.....	F-8-10-31	
BOLT, FLANGE, 8X28.....	E-9-15	
BOLT, FLANGE, 8X30.....	E-5-24	
BOLT, FLANGE, 8X30.....	E-6-10-35	
BOLT, FLANGE, 8X30.....	E-9-10-21	
BOLT, FLANGE, 8X32.....	E-1-22	
BOLT, FLANGE, 8X35.....	E-18-57	
BOLT, FLANGE, 8X35.....	FOP-3-6-49	
BOLT, FLANGE, 8X40.....	E-4-20	
BOLT, FLANGE, 8X40.....	E-9-10-22	
BOLT, FLANGE, 8X45.....	E-1-35	
BOLT, FLANGE, 8X50.....	E-3-38	
BOLT, FLANGE, 8X50.....	E-14-10-18	
BOLT, FLANGE, 8X60.....	E-4-17	
BOLT, FLANGE, 8X65.....	E-15-21	
BOLT, FLANGE, 8X75.....	E-3-36	
BOLT, FRICTION.....	FOP-3-6-29	
BOLT, HEX.....	F-11-32	
BOLT, HEX, 10X235.....	F-10-41	
BOLT, HEX, 10X35.....	F-3-20-31	
BOLT, HEX, 10X60.....	E-6-10-29	
BOLT, HEX, 10X85.....	E-6-10-28	
BOLT, HEX, 12X120.....	E-6-10-26	
BOLT, HEX, 12X130.....	F-10-46	
BOLT, HEX, 12X200.....	F-10-39	
BOLT, HEX, 12X45.....	F-5-13	
BOLT, HEX, 12X45.....	F-5-1-13	
BOLT, HEX, 12X50.....	F-3-20-37	
BOLT, HEX, 12X65.....	E-6-10-27	
BOLT, HEX, 14X180.....	F-3-20-32	
BOLT, HEX, 5X16.....	FOP-3-6-68	
BOLT, HEX, 6X14.....	F-10-42	
BOLT, HEX, 6X16.....	E-6-10	
BOLT, HEX, 6X16.....	F-2-26	
BOLT, HEX, 6X55.....	F-3-34	
BOLT, HEX, 8X28.....	E-6-9	
BOLT, HEX, 8X35.....	E-6-8	
BOLT, HEX, 8X35.....	F-8-10-26	
BOLT, HEX, 8X60.....	FOP-2-9	
BOLT, IDLER.....	E-13-13	
BOLT, OIL CHECK.....	F-3-11	
BOLT, RECESSED.....	F-11-29	
BOLT, SEALING, 18MM.....	E-5-10	
BOLT, SEALING, 22MM.....	E-3-6	
BOLT, SEALING, 22MM.....	E-3-37	
BOLT, SEALING, 22MM.....	E-5-15	
BOLT, SEALING, 6MM.....	E-18-45	
BOLT, SOCKET(A).....	F-11-30	
BOLT, SOCKET(B).....	F-11-31	
BOLT, SOCKET, 6X16.....	F-8-12	
BOLT, SPECIAL ADJUSTER.....	E-19-22	
BOLT, SPECIAL, 6X12.....	F-3-20-38	
BOLT, SPECIAL, 6X17.....	F-3-20-34	
BOLT, SPECIAL, 6X22.....	F-3-20-36	
BOLT, SPECIAL, 6X220.....	FOP-7-2	
BOLT, SPECIAL, 6X37.....	F-3-20-39	
BOLT, SPECIAL, 8MM.....	E-5-13	
BOLT, SPECIAL, 8X29.....	E-13-10-8	
BOLT, STUD, 10X45.....	E-6-10-32	
BOLT, STUD, 12X40.....	F-3-15	
BOLT, STUD, 6X68.....	E-19-8	
BOLT, STUD, 8X28.....	E-14-23	
BOLT, STUD, 8X45.....	E-14-24	
BOLT, TENSIONER.....	E-19-24	
BOLT, TIMING BELT ADJUSTING.....	E-13-20	
BOLT, TIMING BELT COVER.....	E-13-10-7	
BOLT, TIMING BELT IDLER A.....	E-13-14	
BOLT, WASHER, 6X121.....	E-6-10-34	
BOLT, WASHER, 8X60.....	F-4-16	
BOLT, WASHER, 10X109.....	E-3-27	
BOLT, WASHER, 10X32.....	F-3-13	
BOLT, WASHER, 10X32.....	F-10-38	
BOLT, WASHER, 10X47.....	F-3-35	
BOLT, WASHER, 10X60.....	E-3-28	
BOLT, WASHER, 10X80.....	E-3-29	
BOLT, WASHER, 11X105.....	E-3-30	
BOLT, WASHER, 12X163.....	E-9-13	
BOLT, WASHER, 12X35.....	E-13-23	
BOLT, WASHER, 16X49.....	E-13-21	
BOLT, WASHER, 5X18.....	E-14-10-15	
BOLT, WASHER, 5X30.....	E-15-18	
BOLT, WASHER, 6X16.....	F-2-42	
BOLT, WASHER, 6X25.....	E-15-17	

BOLT-WASHER, 6X25	F-3-20-57	CABLE SET, PANEL INDICATOR	FOP-4-2	CLIP, TUBE	E-18-10-10
BOLT-WASHER, 6X25	F-7-11-13	CABLE SET, PANEL INDICATOR	FOP-4-2	CLIP, TUBE(B10)	E-6-10-40
BOLT-WASHER, 6X27	E-20-3	CABLE SET, PANEL INDICATOR	FOP-4-2	CLIP, TUBE(B12)	E-1-27
BOLT-WASHER, 6X27(CT200)	E-20-11-7	CAMSHAFT, L.	E-9-10-2	CLIP, TUBE(B12)	E-18-2-29
BOLT-WASHER, 6X27(CT200)	F-7-11-12	CAMSHAFT, L.	E-9-10-2	CLIP, TUBE(B12.5)	E-6-10-41
BOLT-WASHER, 6X29	E-6-10-36	CAMSHAFT, R.	E-9-10-1	CLIP, TUBE(B12.5)	E-18-2-30
BOLT-WASHER, 8X35	E-18-46	CAMSHAFT, R.	E-9-10-1	CLIP, TUBE(B12.5)	F-3-20-48
BOSS, FLYWHEEL	E-5-12	CAP COMP, OIL TANK	F-11-28	CLIP, TUBE(B8)	E-18-2-28
BOX ASSY., JUNCTION	F-7-30-1	CAP, BOLT, 10MM.	E-3-10-12	CLIP, TUBE(B8)	F-10-65
BOX ASSY., REMOTE CONTROL (NHK MEC)	FOP-3-7-1	CAP, GRIP	FOP-3-7	CLIP, WIRE	E-18-10-20
BOX ASSY., REMOTE CONTROL(EU)	FOP-3-6-1	CAP, GRIP	FOP-3-2-9	CLIP, WIRE HARNESS	E-18-2-33
BOX KIT, REMOTE CONTROL	FOP-3-1	CAP, HANDLE	FOP-3-6-5	CLIP, WIRE HARNESS	F-7-4
BOX KIT, REMOTE CONTROL	FOP-3-2-1	CAP, L. SIDE COVER	F-8-10-24	CLIP, WIRE HARNESS	F-7-11-21
BOX KIT, REMOTE CONTROL	FOP-3-4-1	CAP, OIL(YELLOW)	E-3-10-4	CLIP, WIRE HARNESS	F-7-11-22
BRACKET	FOP-3-7-11	CAP, RUBBER	FOP-3-7-16	CLIP, WIRE HARNESS	F-10-67
BRACKET A, RR. COVER	F-8-10-8	CAP, SWITCH	FOP-3-8	CLIP, WIRE HARNESS(6.3MM)	FOP-3-6-65
BRACKET ASSY.	F-11-6	CAP, TIMING BELT TENSIONER	E-13-8	CLIP, WIRE HARNESS, 10MM.	E-14-26
BRACKET B, HARNESS CLIP	E-3-20	CAP, TROLLING CONTROL SWITCH BLANK	FOP-3-7-22	CLIP, WIRE HARNESS, 25MM.	E-18-2-32
BRACKET B, RR. COVER	F-8-10-9	CAP, UNDER COVER	F-3-20-24	CLIP, WIRE HARNESS, 25MM.	E-20-11-10
BRACKET C, COUPLER	F-7-11-2	CAP, WATER JOINT	F-3-20-4	CLIP, WIRE HARNESS, 25MM.	F-3-20-50
BRACKET C, HARNESS CLIP	E-1-16	CARTRIDGE, OIL FILTER	E-3-10-3	CLUTCH COMP., OVERRUNNING	E-21-3
BRACKET, A.C. GENERATOR FUSE	E-20-11-3	CASE A, SILENCER	E-15-10	COCK ASSY., FUEL DRAIN	E-18-2-25
BRACKET, BUZZER	FOP-4-22	CASE ASSY., GEAR(L)	F-3-10-1	COIL COMP., PLUG HOLE	E-20-1
BRACKET, BUZZER	FOP-4-1-14	CASE ASSY., GEAR(XL)	F-3-10-1	COLLAR	E-18-23
BRACKET, CABLE	F-8-10-1	CASE ASSY., GEAR(XL)(C/R)	F-3-10-1	COLLAR	E-18-26
BRACKET, CLIP B	E-1-15	CASE ASSY., OIL SEAL	E-3-2	COLLAR, 6.2X10X25.5	F-3-20-53
BRACKET, CLIP B	E-3-19	CASE B, SILENCER	E-15-11	COLLAR, 8.5X14.5	E-18-55
BRACKET, COUPLER D	E-13-17	CASE COMP., MOUNT	E-6-10-22	COLLAR, 8.5X14.5	F-8-10-37
BRACKET, ECU	E-20-11-5	CASE COMP., PUMP	E-18-27	COLLAR, C.D.I. UNIT CASE	E-15-24
BRACKET, FR.	E-21-10	CASE KIT, GEAR	F-3-1	COLLAR, C.D.I. UNIT CASE	E-20-5
BRACKET, FR. COVER	F-8-10-5	CASE, ELECTRONIC PARTS	E-20-11-1	COLLAR, C.D.I. UNIT CASE	E-20-11-11
BRACKET, HARNESS CLIP A	E-14-17	CASE, EXTENSION	F-3-20-10	COLLAR, C.D.I. UNIT CASE	F-7-11-25
BRACKET, HOOK	F-8-5	CASE, EXTENSION	F-3-20-10	COLLAR, DISTANCE	F-4-32
BRACKET, L. SIDE COVER	F-8-10-7	CASE, FLUSH VALVE	E-6-10-7	COLLAR, DISTANCE	FOP-2-15
BRACKET, L. STERN	F-10-25	CASE, GEAR	F-3-4	COLLAR, DISTANCE(A)	FOP-7-3
BRACKET, LINK JOINT	FOP-3-6-19	CASE, POWER TILT RELAY	F-7-11-11	COLLAR, DISTANCE(B)	FOP-7-4
BRACKET, NEUTRAL SWITCH	F-2-19	CASE, SWIVEL	F-10-20	COLLAR, DISTANCE, 6.5X9X3	F-8-15
BRACKET, R. SIDE COVER	F-8-10-6	CASE, SWIVEL	F-10-20	COLLAR, DISTANCE, 6.5X9X5	F-3-20-53
BRACKET, R. STERN	F-10-24	CIRCLIP, EXTERNAL, 15MM	F-5-29	COLLAR, DISTANCE, 6X10.5X25	F-3-20-54
BRACKET, REMOTE CONTROL	FOP-3-12	CIRCLIP, EXTERNAL, 15MM	F-5-1-30	COLLAR, DISTANCE, 6X10X43.5	FOP-3-6-67
BRACKET, REMOTE CONTROL	FOP-3-2-13	CIRCLIP, EXTERNAL, 39MM	F-10-66	COLLAR, LINK JOINT	FOP-3-6-66
BRACKET, RR.	E-21-11	CIRCLIP, INTERNAL	F-11-36	COLLAR, LOWER CYLINDER	F-10-33
BRACKET, SENSOR CORD	E-14-10-8	CIRCLIP, INTERNAL, 43	F-3-20-49	COLLAR, MOUNTING(6MM)	F-7-11-23
BRACKET, SHIFT LINK	F-2-16	CLAMP	F-6-5	COLLAR, ORIFICE	F-7-11-48
BRACKET, SOLENOID VALVE	E-1-7	CLAMP	F-6-8	COLLAR, SHIFT SLIDER	F-2-11
BRACKET, TILTING	F-10-28	CLAMP, CHECK VALVE	E-18-10-1	COLLAR, SLIDING PLATE	FOP-3-6-16
BRACKET, WIRE CLAMP	FOP-3-7-15	CLAMP, FUEL TUBE	E-18-10-21	COLLAR, STEERING ROD	F-10-71
BREAKER ASSY.	F-11-1	CLAMP, HARNESS	FOP-3-6-9	COLLAR, TIMING BELT COVER	E-13-10-10
BRUSH ASSY.	F-11-2	CLAMP, HOSE	E-18-10-9	CONTROL UNIT, ELECTRONIC	E-20-11-4
BRUSH SET	E-21-7	CLAMP, POWER TILT CORD	FOP-3-6-31	CONTROL UNIT, ELECTRONIC	E-20-11-4
BUFFER, PLATE	E-18-2-8	CLAMP, TUBE	F-10-21	CORD ASSY., INDICATOR(20FT)	FOP-4-5
BUSH A, COVER LOCK	F-8-10-15	CLAMP, TUBE(D10.5)	E-4-21	CORD ASSY., INDICATOR(25FT)	FOP-4-5
BUSH A, THRUST RECEIVE	F-10-31	CLAMP, TUBE(D10.5)	E-18-10-19	CORD ASSY., INDICATOR(30FT)	FOP-4-5
BUSH B, COVER LOCK	F-8-10-16	CLAMP, TUBE(D10.7)	E-18-10-18	CORD COMP., EMERGENCY	FOP-3-6-42
BUSH B, THRUST RECEIVE	F-10-32	CLAMP, TUBE(D21)	E-4-23	CORD COMP., EMERGENCY	FOP-3-7-38
BUSH COMP., VERTICAL SHAFT	F-3-20-12	CLAMP, TUBE(D29)	E-4-22	CORD COMP., EMERGENCY	FOP-4-16
BUSH, INSULATION	E-19-4	CLAMP, TUBE(D32.5)	E-1-25	CORD COMP., EMERGENCY	FOP-4-1-9
BUSH, INSULATION	E-19-18	CLAMP, WIRE, 8MM	E-18-2-31	CORD, A.C. GENERATOR	F-7-11-8
BUSH, LOWER CYLINDER	F-11-25	CLAMPER, SENSOR TUBE	F-10-12	CORD, SWITCH	E-3-21
BUSH, MOTOR CODE	F-11-20	CLIP A, WIRE	E-1-17	COTTER, VALVE(FUJI VALVE)	E-9-10-20
BUSH, SHIFT ARM	F-2-15	CLIP D, SPEEDOMETER CABLE	E-14-18	COVER ASSY.	FOP-3-4-11
BUSH, SWIVEL CASE	F-10-23	CLIP D, WASHER TUBE	E-1-33	COVER ASSY., CRANKCASE UPPER	E-3-1
BUSH, SWIVEL CASE	F-11-12	CLIP, 10.7MM.	F-11-35	COVER ASSY., ENGINE	F-8-3
BUSH, TILT ARM	F-10-27	CLIP, BRAKE PIPE	F-2-21	COVER ASSY., ENGINE	F-8-3
BUTTON, THROTTLE	FOP-3-9	CLIP, DETENT	FOP-3-7-9	COVER ASSY., ENGINE	F-8-3
BUTTON, THROTTLE	FOP-3-2-10	CLIP, EMERGENCY LOCK	FOP-3-6-43	COVER ASSY., ENGINE	F-8-3
BUTTON, THROTTLE	FOP-3-4-8	CLIP, EMERGENCY LOCK	FOP-4-17	COVER ASSY., ENGINE	F-8-3
BUZZER COMP., WARNING	FOP-3-6-46	CLIP, EMERGENCY LOCK	FOP-4-1-10	COVER ASSY., ENGINE	F-8-3
BUZZER COMP., WARNING	FOP-3-7-41	CLIP, HARNESS	E-1-28	COVER ASSY., L. TIMING BELT	E-13-10-3
BUZZER COMP., WARNING	FOP-4-21	CLIP, HARNESS	E-18-53	COVER ASSY., R. TIMING BELT	E-13-10-2
BUZZER COMP., WARNING	FOP-4-1-13	CLIP, HARNESS	F-8-10-35	COVER B, TERMINAL	F-7-11-6
<C>		CLIP, HARNESS BAND(BLACK)	E-3-48	COVER B, TERMINAL(L)	F-7-11-5
CABLE ASSY., POWER TILT RELAY	F-7-11-7	CLIP, HARNESS BAND(BLACK)	E-13-10-11	COVER COMP.	E-18-4
CABLE ASSY., REMOTE CONTROL(B)	FOP-3-6-34	CLIP, HARNESS BAND(BLACK)	F-2-44	COVER COMP., FUSE	F-7-30-2
CABLE ASSY., REMOTE CONTROL(B)	FOP-3-7-30	CLIP, HARNESS BAND(BLACK)	F-7-6	COVER COMP., INTAKE MANIFOLD	E-14-10-5
CABLE ASSY., STARTER	F-7-11-3	CLIP, HARNESS BAND(BLACK)	F-7-11-24	COVER COMP., L. UNDER ENGINE	F-3-20-21
CABLE ASSY., SWITCH PANEL	FOP-4-10	CLIP, HARNESS BAND(BLACK)	F-8-10-36	COVER COMP., L. UNDER ENGINE	F-3-20-21
CABLE ASSY., SWITCH PANEL	FOP-4-10	CLIP, HARNESS BAND(BLACK)	FOP-12-3	COVER COMP., L. UNDER ENGINE	F-3-20-21
CABLE ASSY., SWITCH PANEL	FOP-4-10	CLIP, INJECTOR	E-14-2	COVER COMP., L. UNDER ENGINE	F-3-20-21
CABLE ASSY., SWITCH PANEL (20FT)(NHK MEC)	FOP-4-10	CLIP, PISTON PIN	E-7-4	COVER COMP., R. UNDER ENGINE	F-3-20-20
CABLE ASSY., SWITCH PANEL (25FT)(NHK MEC)	FOP-4-10	CLIP, ROLLER	FOP-3-7-71	COVER COMP., R. UNDER ENGINE	F-3-20-20
CABLE ASSY., SWITCH PANEL (30FT)(NHK MEC)	FOP-4-10	CLIP, SENSOR HOSE	E-1-18	COVER COMP., R. UNDER ENGINE	F-3-20-20
CABLE COMP. A, COVER LOCK	F-8-10-12	CLIP, SHIFT WIRE	E-1-19	COVER COMP., R. UNDER ENGINE	F-3-20-20
CABLE COMP. B, COVER LOCK	F-8-10-13	CLIP, TUBE	E-6-10-1	COVER, BEARING	E-19-5
CABLE COMP., THROTTLE	E-15-13	CLIP, TUBE	E-18-2-2	COVER, DRAIN PLUG(L)	F-3-20-13

COVER, DRAIN PLUG(XL)	F-3-20-13	FRAME COMP., MOUNTING(L)	F-10-13	HOLDER, BEARING	F-5-12
COVER, DUAL GRIP	FOP-3-2-8	FRAME COMP., MOUNTING(XL)	F-10-13	HOLDER, BEARING(C/R)	F-5-1-12
COVER, FLUSH VALVE	E-6-10-6	FUSE, BLOCK(150A)	F-7-30-3	HOLDER, NEUTRAL LOCK	FOP-3-4-14
COVER, FR.	F-8-7	FUSE, MINI(10A)	F-7-30-9	HOLDER, NEUTRAL LOCK	FOP-3-7-20
COVER, FR. SEPARATE	F-3-20-9	FUSE, MINI(15A)	F-7-30-10	HOLDER, OIL FILTER	E-3-10-6
COVER, GEAR CASE	F-3-6	FUSE, MINI(30A)	F-7-30-11	HOLDER, PROPELLER SHAFT	F-5-11
COVER, GRIP	FOP-3-4-4	<G>		HOLDER, PROPELLER SHAFT	F-5-1-11
COVER, IMPELLER	F-4-4	GASKET B, IMPELLER	F-4-5	HOLDER, ROD(A)	F-8-20-3
COVER, IMPELLER	FOP-2-6	GASKET B, IMPELLER	FOP-2-7	HOLDER, SEAL	F-2-17
COVER, L. CAMSHAFT THRUST	E-9-8	GASKET COMP., CYLINDER HEAD	E-9-9	HOLDER, SHIFT ROD	F-4-12
COVER, L. CYLINDER HEAD	E-1-3	GASKET, EAC VALVE	E-15-5	HOLDER, STRIKER	F-8-10-21
COVER, L. GRIP	FOP-3-5	GASKET, EX. PIPE	E-6-4	HOSE A, PRESSURE REGULATOR	E-18-10-12
COVER, L. GRIP	FOP-3-2-6	GASKET, FR. INJECTOR BASE	E-14-12	HOSE B, PRESSURE REGULATOR	E-18-10-13
COVER, L. LOWER MOUNTING	F-3-20-27	GASKET, INTAKE MANIFOLD	E-14-15	HOSE COMP., FUEL	E-14-9
COVER, L. LOWER MOUNTING	F-3-20-27	GASKET, INTAKE MANIFOLD	E-14-10-1	HOSE COMP., FUEL JOINT	E-14-10
COVER, L. RELIEF VALVE	E-6-10-17	GASKET, L. EX. MANIFOLD	E-4-5	HOUSING ASSY., L. INNER	FOP-3-3
COVER, L. WATER JACKET	E-6-10-21	GASKET, MOUNT CASE	E-6-10-23	HOUSING ASSY., L. INNER	FOP-3-2-3
COVER, LEVER	FOP-3-7-6	GASKET, R. EX. MANIFOLD	E-4-3	HOUSING ASSY., R. INNER	FOP-3-2-4
COVER, LOCK ARM	FOP-3-4-6	GASKET, RR. INJECTOR BASE	E-14-14	HOUSING ASSY., R. INNER	FOP-3-4-2
COVER, NEUTRAL SWITCH	F-2-20	GASKET, THROTTLE BODY	E-15-2	HOUSING COMP., REMOTE CONTROL	FOP-3-13
COVER, OIL LEVEL GAUGE	E-3-14	GAUGE COMP., OIL LEVEL	E-3-53	HOUSING COMP., REMOTE CONTROL	FOP-3-2-14
COVER, OIL PUMP	E-5-4	GEAR ASSY., INTERNAL	E-21-16	HOUSING COMP., REMOTE CONTROL	FOP-3-6-10
COVER, PLUG MAINTENANCE	F-3-20-19	GEAR ASSY., PLANETARY	E-21-4	HOUSING COMP., REMOTE CONTROL	FOP-3-6-11
COVER, POWER TRIM-TILT WIRE	FOP-3-7-18	GEAR ASSY., SHIFT	FOP-3-7-23	HOUSING, FR.	FOP-3-7-12
COVER, POWER TRIM-TILT WIRE(LOOSE PARTS)	FOP-3-7-74	GEAR COMP., BEVEL(RVS. 28T)	F-5-1-9	HOUSING, IMPELLER	F-4-2
COVER, PUMP	E-18-28	GEAR SET	F-5-8	HOUSING, IMPELLER	FOP-2-4
COVER, PUMP(A)	E-18-29	GEAR SET(COUNTER ROTATION)	F-5-1-8	HOUSING, LEAD	FOP-3-14
COVER, R. CAMSHAFT THRUST	E-9-7	GEAR, BEVEL(RVS. 28T)	F-5-9	HOUSING, LEAD	FOP-3-2-15
COVER, R. CYLINDER HEAD	E-1-1	GEAR, DRIVE	FOP-3-7-24	HOUSING, LOWER CENTER MOUNTING	F-10-17
COVER, R. LOWER MOUNTING	F-3-20-26	GENERATOR ASSY., A.C.	E-19-14	HOUSING, LOWER CENTER MOUNTING	F-10-17
COVER, R. LOWER MOUNTING	F-3-20-26	GENERATOR ASSY., A.C.	E-19-14	HOUSING, LOWER MOUNTING	F-3-20-16
COVER, R. RELIEF VALVE	E-6-10-13	GRIP	FOP-3-7-5	HOUSING, REMOTE CONTROL BOX(C)	FOP-3-6-12
COVER, R. WATER JACKET	E-6-10-19	GRIP, REMOTE CONTROL HANDLE	FOP-3-6	HOUSING, RR.	FOP-3-7-13
COVER, STARTER TERMINAL	F-7-11-4	GRIP, REMOTE CONTROL HANDLE	FOP-3-2-7	HOUSING, UPPER MOUNTING	F-10-14
COVER, THERMOSTAT	E-4-11	GRIP, REMOTE CONTROL HANDLE	FOP-3-6-4	HOUSING, WATER PUMP	F-4-6
COVER, UPPER MOUNT	F-10-18	GRIP, SCREW DRIVER	F-13-3	<I>	
COVER, WATER JACKET	E-18-12	GROMMET A, UNDER CASE	F-8-10-3	IDLER B, TIMING BELT	E-13-15
CRANKCASE COMP.	E-3-10-1	GROMMET, AIR CLEANER CASE	F-8-1	IDLER, TIMING BELT(KOYO SEIKO)	E-13-12
CRANKSHAFT COMP.	E-7-8	GROMMET, ELECTRONIC PARTS CASE	E-20-4	IMPELLER, PUMP	F-4-1
CUP	E-18-2-17	GROMMET, ELECTRONIC PARTS CASE	E-20-11-2	IMPELLER, PUMP	FOP-2-3
CUP SET, WATER SEPARATOR	E-18-2-7	GROMMET, ELECTRONIC PARTS CASE	F-7-11-1	INJECTOR ASSY., FUEL	E-14-1
<D>		GROMMET, EXTENSION CASE	F-4-13	INSULATOR	E-18-31
DAMPER, HOOK	F-8-6	GROMMET, GEAR CASE	F-3-5	INSULATOR COMP.	E-18-30
DOWEL PIN, 10X12	E-14-30	GROMMET, L. IDLE PORT	F-3-20-29	<J>	
DOWEL PIN, 13X37	E-3-39	GROMMET, L. IDLE PORT	F-3-20-29	JOINT A, VACUUM TUBE	E-14-10-7
DOWEL PIN, 14X15	E-5-16	GROMMET, L. IDLE PORT	F-3-20-60	JOINT ASSY (INLET)	F-6-2
DOWEL PIN, 14X15	E-6-10-42	GROMMET, L. IDLE PORT	F-3-20-60	JOINT ASSY (OUTLET)	F-6-3
DOWEL PIN, 16X22	E-9-18	GROMMET, POWER TILT SWITCH	F-3-20-8	JOINT ASSY., OIL PIPE	E-3-12
DOWEL PIN, 5X8	E-3-52	GROMMET, R. IDLE PORT	F-3-20-28	JOINT B, WASHER TUBE(MITSUBA)	F-10-8
DOWEL PIN, 6X10	E-3-51	GROMMET, R. IDLE PORT	F-3-20-28	JOINT SET	E-18-6
DOWEL PIN, 6X10	E-9-17	GROMMET, R. IDLE PORT	F-3-20-59	JOINT, DRIVE	F-11-16
DOWEL PIN, 6X10	E-9-21	GROMMET, R. IDLE PORT	F-3-20-59	JOINT, FUEL PIPE	E-14-8
DOWEL PIN, 6X10	E-13-28	GROMMET, RELAY	F-7-11-10	JOINT, FUEL PIPE	E-18-38
DOWEL PIN, 6X10	E-15-26	GROMMET, RELAY BRACKET	E-20-11-6	JOINT, FUEL RETURN	E-18-10-11
DOWEL PIN, 6X10	F-3-25	GROMMET, SILENCER	E-15-12	JOINT, FUEL TUBE	F-8-20-6
DOWEL PIN, 6X10	F-3-20-51	GROMMET, TIMING BELT COVER	E-13-10-1	JOINT, WATER HOSE	F-3-20-2
DOWEL PIN, 6X10	F-4-23	GROMMET, UNDER CASE	E-15-16	<K>	
DOWEL PIN, 8X14	E-3-10-17	GROMMET, UNDER CASE(C)	F-3-20-7	KEY, 4.5X24	E-13-26
DRIVER 3, MINUS SCREW(NO.2)	F-13-8	GROMMET, UNDER CASE(C)	F-11-10	KEY, SPECIAL	E-13-27
DRUM ASSY., FREE THROTTLE	FOP-3-7-26	GROMMET, VAPOR SEPARATOR	E-18-34	KEY, WOODRUFF	F-4-22
DRUM ASSY., ENGINE COVER	F-8-9	GROMMET, VAPOR SEPARATOR	E-18-35	KEY, WOODRUFF	FOP-2-11
<E>		GROMMET, WATER CHECK	F-3-20-30	KIT, CABLE(NMEA)(6FT)	FOP-12-1
END COVER, RR.	E-19-17	GROMMET, WATER TUBE	E-6-6	<L>	
END, NIPPLE	F-10-10	GROMMET, WIRE(14)	FOP-3-7-21	LABEL, FUSE & OIL CAUTION	F-12-16
E-RING, 10MM	F-4-33	GUIDE COMP., ROD	F-11-50	LABEL, SIGP	FOP-3-7-45
E-RING, 12MM	F-2-41	GUIDE, EX. VALVE(OS)	E-9-3	LABEL, WARNING OPERATOR	F-12-14
E-RING, 15MM	F-11-49	GUIDE, IN. VALVE(OS)	E-9-2	LAMP ASSY., INDICATION	FOP-3-6-44
E-RING, 3MM	FOP-3-6-77	GUIDE, L. EX.	E-6-10-5	LAMP ASSY., INDICATION	FOP-3-7-39
E-RING, 4MM	F-2-40	GUIDE, R. EX.	E-6-10-2	LAMP ASSY., INDICATION(4-LED)	FOP-4-19
E-RING, 4MM	FOP-3-6-78	<H>		LAMP ASSY., INDICATION(4-LED)	FOP-4-1-11
E-RING, 6MM	F-8-10-38	HANDLE, REMOTE CONTROL	FOP-3-4	LEVER SET	E-21-18
E-RING, 6MM	FOP-3-36	HANDLE, REMOTE CONTROL	FOP-3-2-5	LEVER, COVER LOCK	F-8-10-14
E-RING, 6MM	FOP-3-2-41	HANDLE, REMOTE CONTROL	FOP-3-4-3	LEVER, FREE THROTTLE	FOP-3-7-28
E-RING, 6MM	FOP-3-4-28	HANDLE, REMOTE CONTROL	FOP-3-6-2	LEVER, HAND	FOP-3-7-3
E-RING, 6MM(LOOSE PARTS)	FOP-3-7-65	HANGER, ENGINE	E-3-10-2	LEVER, HANDLE LOCK	FOP-3-6-3
E-RING, 7MM	FOP-3-6-79	HANGER, ENGINE	E-9-1	LEVER, IDLE	FOP-3-6-22
EXTENSION, OIL FILLER	E-3-10-5	HARNESS ASSY., MAIN WIRE	F-7-1	LINER, PUMP	F-4-3
<F>		HARNESS ASSY., MAIN WIRE	F-7-1	LINER, PUMP	FOP-2-5
FILTER	E-18-2-14	HARNESS ASSY., SWITCH PANEL	FOP-4-9	LINER, SWIVEL CASE	F-10-22
FILTER ASSY., SPOOL VALVE	E-3-17	HARNESS ASSY., SWITCH PANEL	FOP-4-1-4	LOCK ASSY., FR.	F-8-10-22
FILTER ASSY., SPOOL VALVE	E-3-17	HARNESS COMP.	E-18-41	LOCK COMP., SIDE	F-8-10-23
FILTER B	F-11-18	HEAD COMP., CYLINDER	E-9-5	LOW PERMEATION HOSE L=1600	F-6-7
FLOAT	E-18-2-16	HOLDER	E-18-11	LOW PERMEATION HOSE L=700	F-6-6
FLOAT SET	E-18-2	HOLDER ASSY., BRUSH	E-19-1	<M>	
FLYWHEEL COMP.	E-5-11	HOLDER COMP., BRUSH	E-21-9	MANIFOLD COMP., INTAKE	E-14-10-3

MANIFOLD COMP., L. EX.....	E-4-4	OIL SEAL, 41X66X8	E-3-40	PANEL, BACK	FOP-3-7-14
MANIFOLD COMP., R. EX.....	E-4-2	OIL SEAL, 46X60X9	E-5-17	PANEL, CONTROL.....	FOP-4-7
MARK, EMBLEM.....	FOP-3-7-44	OIL SEAL, 80X98X10(ARAI)	E-3-41	PANEL, CONTROL.....	FOP-4-8
MARK, EMERGENCY STOP(US).....	FOP-3-7-43	ORIFICE ASSY., OIL CONTROL.....	E-3-10	PANEL, CONTROL.....	FOP-4-1-3
MARK, EMERGENCY STOP(US)(LOOSE PARTS).....	FOP-3-7-72	O-RING.....	E-14-10-13	PIN B, DOWEL, 10X16.....	E-5-21
MARK, FAST IDLE	FOP-3-6-48	O-RING.....	E-15-23	PIN B, DOWEL, 10X16.....	E-6-10-51
MARK, FAST IDLE	FOP-3-7-42	O-RING.....	E-18-13	PIN, 6X6.....	FOP-3-6-63
MARK, FLUSH MOUNT	FOP-3-4-19	O-RING.....	E-18-14	PIN, LINK.....	F-2-35
MARK, FR. EMBLEM(TOYOTA).....	F-12-19	O-RING.....	E-18-15	PIN, LOCK, 6MM.....	FOP-3-6-62
MARK, HANDLE FLUSH MOUNT	FOP-3-4-18	O-RING.....	E-18-16	PIN, PISTON	E-7-3
MARK, L. SIDE STRIPE	F-12-18	O-RING.....	E-18-17	PIN, SHIFTER, 8X50.....	F-5-2
MARK, R. SIDE STRIPE	F-12-6	O-RING.....	E-18-18	PIN, SHIFTER, 8X50.....	F-5-1-2
MARK, REMOTE CONTROL(DUAL)	FOP-3-2-24	O-RING.....	E-18-19	PIN, SNAP, 6MM.....	F-2-34
MARK, REMOTE CONTROL(SINGLE).....	FOP-3-21	O-RING.....	E-18-2-21	PIN, SPLIT, 4.0	F-3-26
MARK, RR.(BFT200)	F-12-3	O-RING.....	E-18-2-22	PIN, SPLIT, 4.0	F-5-21
MARK, RR.(BFT225)	F-12-4	O-RING.....	E-18-2-24	PIN, SPLIT, 4.0	F-5-1-21
MESH, FUEL FILTER	E-14-4	O-RING.....	F-3-32	PIN, SPRING, 3X20.....	F-10-73
METAL COMP., ANODE.....	F-3-10	O-RING.....	F-4-28	PIN, UPPER CYLINDER.....	F-11-26
METAL KIT, ANODE	F-10-1	O-RING SET, 3.5X31.7	F-11-45	PIN, VERTICAL SHAFT	E-13-18
METAL, ANODE.....	E-3-4	O-RING, 1.8X69.6	F-11-39	PIPE COMP., L. EX.....	E-6-5
METAL, ANODE.....	E-3-5	O-RING, 1.8X7.7.....	F-11-41	PIPE COMP., L. FUEL.....	E-14-5
METAL, ANODE.....	E-4-1	O-RING, 1.9X11.....	F-11-42	PIPE COMP., R. EX.....	E-6-3
METER LEAD WIRE	FOP-5-1-8	O-RING, 110X3.1.....	F-3-33	PIPE, FUEL.....	E-18-10-6
MOTION COMP., LOST	E-9-10	O-RING, 110X3.1.....	F-5-28	PIPE, HARNESS GUIDE.....	FOP-3-6-32
MOTION COMP., LOST	E-9-10	O-RING, 110X3.1.....	F-5-1-29	PIPE, R. FUEL.....	E-14-3
MOTOR ASSY., POWER TILT.....	F-11-5	O-RING, 13X1.5(ARAI)	E-3-46	PISTON.....	E-7-2
MOTOR ASSY., STARTER	E-21-1	O-RING, 15.54X2.26.....	F-10-70	PISTON COMP., FREE.....	F-11-22
MOUNT COMP., LOWER RUBBER.....	F-3-20-17	O-RING, 16.3X3.5	E-3-45	PISTON(0.25)	E-7-2
MOUNT COMP., UPPER RUBBER	F-10-15	O-RING, 16MM	E-6-10-45	PIVOT, SHIFT	F-2-12
<N>		O-RING, 18.3X3.5	E-3-43	PIVOT, SHIFT	FOP-3-6-17
NIPPLE, GREASE	F-10-68	O-RING, 2.0X70.5	F-11-38	PLATE.....	E-18-10
NIPPLE, SENSOR	F-10-11	O-RING, 20.6X2.6	E-5-19	PLATE.....	E-18-44
NUT, 5MM	FOP-3-7-56	O-RING, 23.5X2.....	E-6-10-48	PLATE.....	E-18-2-23
NUT, 6MM(LOOSE PARTS).....	FOP-3-7-54	O-RING, 25X2.4(NOK).....	E-3-47	PLATE ASSY.....	FOP-3-7-2
NUT, CASTLE, 18MM	F-5-14	O-RING, 26.2X2.4(NOK).....	E-3-44	PLATE COMP., SLIDING.....	FOP-3-6-15
NUT, CASTLE, 18MM	F-5-1-14	O-RING, 26.9X2.4(NOK).....	F-2-39	PLATE SET, TRANSOM(5.5MM FLAT)	FOP-9-2
NUT, FLANGE CAP, 10MM	E-3-10-15	O-RING, 26X2.7	E-3-10-16	PLATE SET, TRIM ADJUST.....	FOP-9-1
NUT, FLANGE, 10MM.....	F-10-51	O-RING, 3.5X35.7	F-11-43	PLATE, CABLE CLAMP	FOP-3-11
NUT, FLANGE, 12MM.....	F-10-48	O-RING, 3.5X38.7	F-11-40	PLATE, CABLE CLAMP	FOP-3-2-12
NUT, FLANGE, 5MM.....	FOP-4-4	O-RING, 3.5X41.7	F-11-44	PLATE, DWELL	FOP-3-15
NUT, FLANGE, 5MM.....	FOP-4-1-2	O-RING, 31.5X2.4(ARAI)	E-4-26	PLATE, DWELL.....	FOP-3-2-16
NUT, FLANGE, 8MM.....	E-14-25	O-RING, 33.5X2.....	E-6-10-47	PLATE, DWELL.....	FOP-3-4-10
NUT, FLANGE, 8MM	E-14-10-19	O-RING, 37X2.4(ARAI)	E-1-29	PLATE, HANDLE	FOP-3-10
NUT, FLANGE, 8MM	E-19-25	O-RING, 48.5X2.4	E-9-20	PLATE, HANDLE	FOP-3-2-11
NUT, HEX., 12MM	F-10-72	O-RING, 49.4X3.1	E-6-10-46	PLATE, INTAKE MANIFOLD CENTER	E-14-10-4
NUT, HEX., 16MM	F-3-20-41	O-RING, 59.4X3.1	E-21-23	PLATE, L. TIMING BELT COVER	E-13-10-4
NUT, HEX., 16MM	FOP-3-6-53	O-RING, 6.9X1.45	F-3-30	PLATE, LEVER SETTING	FOP-3-6-8
NUT, HEX., 16MM	FOP-3-7-55	O-RING, 6.9X1.45	F-3-31	PLATE, LOCK.....	F-2-13
NUT, HEX., 16MM	FOP-4-24	O-RING, 66.4X3.1	E-4-24	PLATE, R. TIMING BELT COVER	E-13-10-5
NUT, HEX., 16MM	FOP-4-1-16	O-RING, 69.1X2.4	F-4-31	PLATE, REMOTE CONTROL	FOP-3-6-47
NUT, HEX., 18MM	F-4-19	O-RING, 69.1X2.4	FOP-2-14	PLATE, REMOTE CONTROL CABLE	F-2-2
NUT, HEX., 20MM	F-2-27	O-RING, 7.45X3.61(NOK)	E-14-29	PLATE, RUBBER SETTING	F-3-2
NUT, HEX., 5MM	FOP-3-29	O-RING, 7.47X3.6	E-14-28	PLATE, SHIFT	F-5-7
NUT, HEX., 5MM	FOP-3-35	O-RING, 7.8X1.9(ARAI)	E-14-27	PLATE, SHIFT	F-5-1-7
NUT, HEX., 5MM	FOP-3-2-33	O-RING, 7.8X1.9(ARAI)	E-18-54	PLATE, SPRING SETTING.....	FOP-3-6-23
NUT, HEX., 5MM	FOP-3-2-34	O-RING, 8.8X2.4.....	E-3-11	PLATE, STARTER CABLE	F-8-10-2
NUT, HEX., 5MM	FOP-3-2-40	O-RING, 9.5X1.9.....	E-3-42	PLATE, SWITCH	FOP-3-7-35
NUT, HEX., 5MM	FOP-3-6-76	O-RING, 9.5X1.9.....	E-4-25	PLATE, TIMING BELT GUIDE.....	E-13-2
NUT, HEX., 6MM	E-19-27	O-RING, PRESSURE REGULATOR.....	E-14-7	PLATE, WATER TUBE	E-6-7
NUT, HEX., 6MM	F-8-18	O-RING, TIMING BELT TENSIONER	E-13-11	PLATE, WINKER BUZZER.....	FOP-3-6-45
NUT, HEX., 6MM	FOP-3-4-25	O-RING, WATER PUMP	F-4-29	PLATE, WINKER BUZZER.....	FOP-3-7-40
NUT, HEX., 6MM	FOP-3-6-54	O-RING, WATER PUMP	FOP-2-12	PLATE, WINKER BUZZER.....	FOP-4-20
NUT, HEX., 6MM	FOP-3-6-75	O-RING, WATER PUMP HOUSING	F-4-30	PLATE, WINKER BUZZER.....	FOP-4-1-12
NUT, LOCK, 64MM	F-4-18	O-RING, WATER PUMP HOUSING	FOP-2-13	PLUG, BLIND, 20MM	F-8-2
NUT, PULLEY LOCK	E-19-7	<P>		PLUG, FUEL TUBE	F-8-20-2
NUT, SELF-LOCK(25X2.0).....	F-10-50	PACKING	E-21-17	PLUG, HOLE, 5MM	F-3-20-55
NUT, SELF-LOCK(3/8-24UNF).....	F-10-52	PACKING	F-11-47	PLUG, INNER CONNECTOR	FOP-3-6-35
NUT, SELF-LOCK(7/8-14UNF).....	F-10-49	PACKING, DUAL	FOP-3-2-19	PLUG, INNER CONNECTOR	FOP-3-7-31
NUT, SELF-LOCK, 12MM.....	F-3-22	PACKING, FLASH VALVE.....	E-6-10-16	PLUG, INNER CONNECTOR	FOP-4-11
NUT, SELF-LOCK, 14MM.....	F-3-20-42	PACKING, HEAD COVER.....	E-1-2	PLUG, INNER CONNECTOR.....	FOP-4-1-5
NUT, SELF-LOCK, 5MM.....	F-3-20	PACKING, INTAKE MANIFOLD UP	E-14-10-6	PLUG, OUTER CONNECTOR.....	FOP-3-6-36
NUT, SELF-LOCK, 6MM.....	F-3-19	PACKING, OIL HOLE	E-3-9	PLUG, OUTER CONNECTOR.....	FOP-3-7-32
NUT, SELF-LOCK, 6MM.....	F-10-47	PACKING, OIL LEVEL GAUGE.....	E-3-15	PLUG, OUTER CONNECTOR.....	FOP-4-12
NUT, TAPPET ADJUSTING	E-9-10-23	PACKING, OIL PAN	E-6-2	PLUG, OUTER CONNECTOR.....	FOP-4-1-6
NUT, TAPPET ADJUSTING	E-9-10-24	PACKING, OIL PUMP BODY.....	E-5-2	PLUG, SPARK(IZFR6K-11E)(NGK).....	E-20-2
NUT, WATER MOUTH	F-3-20-1	PACKING, RELIEF VALVE.....	E-6-10-15	PRIMER BULB.....	F-6-4
NUT-WASHER, 5MM	E-19-26	PACKING, RELIEF VALVE COVER	E-6-10-14	PRIMER BULB ASSY.....	F-6-1
NUT-WASHER, 6MM	F-7-11-18	PACKING, SINGLE	FOP-3-18	PROPELLER COMP., THREE BLADES	FOP-10-1
NUT-WASHER, 8MM	F-7-11-17	PACKING, THROTTLE BODY	E-14-10-2	PROPELLER COMP., THREE BLADES	FOP-10-1
<O>		PACKING, WATER JACKET COVER.....	E-6-10-20	PROPELLER COMP., THREE BLADES	FOP-10-1
OIL SEAL	F-11-37	PAN, OIL	E-6-1	PROPELLER COMP., THREE BLADES	FOP-10-1
OIL SEAL, 14X26X6	F-2-37	PANEL ASSY., INDICATOR(4-LED)	FOP-4-18	PROPELLER COMP., THREE BLADES	FOP-10-1
OIL SEAL, 31X46X7(NOK).....	E-5-18	PANEL ASSY., SWITCH.....	FOP-4-6	PROPELLER COMP., THREE BLADES	FOP-10-1
OIL SEAL, 39.5X52X6(ARAI).....	F-10-69	PANEL KIT, SWITCH(4-LED).....	FOP-4-1-1	PROPELLER COMP., THREE BLADES	FOP-10-1
OIL SEAL, 39X53X8(NOK).....	E-9-19	PANEL KIT, SWITCH(B)(4-LED)	FOP-4-1	PROPELLER COMP., THREE BLADES	FOP-10-1

PROPELLER COMP., THREE BLADES	FOP-10-1	SCREW, 5X12	FOP-3-7-50	SEAL, WATER, 26X42X7	F-3-27
PROPELLER COMP., THREE BLADES	FOP-10-1	SCREW, 5X18	FOP-3-7-46	SEAL, WATER, 26X42X7	F-4-26
PROPELLER COMP., THREE BLADES	FOP-10-1	SCREW, 6X90(LOOSE PARTS)	FOP-3-7-51	SEAL, WATER, 30X45X7	F-3-28
PROPELLER COMP., THREE BLADES	FOP-10-1	SCREW, 6X95	FOP-3-6-52	SEAL, WATER, 30X45X7	F-5-27
PROPELLER COMP., THREE BLADES	FOP-10-1	SCREW, FLAT, 5X12	FOP-3-6-51	SEAL, WATER, 30X45X7	F-5-1-28
PROPELLER COMP., THREE BLADES	FOP-10-1	SCREW, FLAT, 5X55	F-3-12	SEAT, SPRING(225)	E-7-14
PROPELLER COMP., THREE BLADES	FOP-10-1	SCREW, FLAT, 6X16	E-5-20	SEAT, SPRING(225)	E-7-14
PROPELLER COMP., THREE BLADES	FOP-10-1	SCREW, PAN	E-18-21	SEAT, VALVE SPRING	E-9-10-19
PROPELLER COMP., THREE BLADES	FOP-10-1	SCREW, PAN, 4X10	FOP-3-26	SEAT, WATER MOUTH	F-3-20-3
PULLER, MINI FUSE	F-7-30-4	SCREW, PAN, 4X10	FOP-3-2-29	SENSOR ASSY., AIR TEMP	E-15-14
PULLEY	E-19-6	SCREW, PAN, 5X10	FOP-3-23	SENSOR ASSY., CRANK	E-3-25
PULLEY COMP., L. TIMING BELT	E-13-5	SCREW, PAN, 5X10	FOP-3-2-26	SENSOR ASSY., MAP	E-14-10-12
PULLEY COMP., R. TIMING BELT	E-13-4	SCREW, PAN, 5X10	FOP-3-6-69	SENSOR ASSY., TRIM ANGLE	F-10-7
PULLEY, CRANKSHAFT	E-13-3	SCREW, PAN, 5X12	E-18-2-15	SENSOR ASSY., WATER	E-3-24
PULLEY, TIMING BELT DRIVE	E-13-1	SCREW, PAN, 5X16	E-3-49	SENSOR ASSY., WATER	E-4-14
PUMP ASSY.	F-11-14	SCREW, PAN, 5X16	FOP-3-22	SENSOR COMP., KNOCK	E-3-18
PUMP ASSY., FUEL	E-1-9	SCREW, PAN, 5X16	FOP-3-2-25	SENSOR COMP., TDC1-TDC2	E-13-10-6
PUMP ASSY., OIL	E-5-1	SCREW, PAN, 5X16	FOP-3-4-20	SENSOR, OXYGEN	E-4-13
PUMP KIT, IMPELLER	FOP-2-1	SCREW, PAN, 5X18	FOP-3-25	SEPARATOR ASSY., VAPOR	E-18-33
PUMP KIT, IMPELLER	FOP-2-2	SCREW, PAN, 5X18	FOP-3-2-28	SEPARATOR ASSY., WATER	E-18-2-6
PUMP UNIT SET A, FUEL	E-18-7	SCREW, PAN, 5X20	E-3-50	SHAFT ASSY., CLUTCH	E-21-3
PUMP UNIT SET B, FUEL	E-18-9	SCREW, PAN, 5X20	FOP-3-24	SHAFT ASSY., GEAR	E-21-15
PUMP UNIT, FUEL	E-18-37	SCREW, PAN, 5X20	FOP-3-2-27	SHAFT COMP., EX. ROCKER ARM	E-9-10-9
<R>		SCREW, PAN, 5X30	FOP-3-4-22	SHAFT COMP., FR. INTAKE ROCKER	E-9-10-8
RECEIVER, THRUST	F-10-30	SCREW, PAN, 5X40	FOP-3-28	SHAFT COMP., INTAKE ROCKER ARM	E-9-10-8
RECTIFIER ASSY.	E-19-19	SCREW, PAN, 5X40	FOP-3-2-31	SHAFT COMP., SHIFT(A)	F-2-8
REGULATOR ASSY.	E-19-20	SCREW, PAN, 5X40	FOP-4-23	SHAFT COMP., SHIFT(B)	F-2-14
REGULATOR ASSY., PRESSURE	E-14-6	SCREW, PAN, 5X40	FOP-4-1-15	SHAFT, COVER OPEN	F-8-10-19
RELAY ASSY., FUEL PUMP(DENSO)	F-7-30-5	SCREW, PAN, 5X55	FOP-3-2-32	SHAFT, FR. LOCK	F-8-10-20
RELAY ASSY., POWER TILT	F-7-11-9	SCREW, PAN, 5X65	FOP-3-34	SHAFT, PROPELLER	F-5-10
RELAY ASSY., POWER(12V-20A)	F-7-30-6	SCREW, PAN, 5X65	FOP-3-2-39	SHAFT, PROPELLER	F-5-1-10
RETAINER, SPRING	E-7-13	SCREW, PAN, 5X8	E-21-22	SHAFT, THROTTLE BUTTON	FOP-3-4-9
RETAINER, SPRING	E-7-13	SCREW, PAN, 6X10	FOP-3-6-50	SHAFT, TILTING	F-10-26
RETAINER, VALVE SPRING	E-9-10-18	SCREW, PAN, 6X18	E-4-27	SHAFT, VERTICAL(L)	F-4-14
RING	E-18-32	SCREW, PAN, 6X18	FOP-3-27	SHAFT, VERTICAL(XL)	F-4-14
RING SET, PISTON(0.25)	E-7-1	SCREW, PAN, 6X18	FOP-3-2-30	SHIFTER, CLUTCH	F-5-1
RING SET, PISTON(STD.)	E-7-1	SCREW, PAN, 6X22(SPECIAL)	E-21-21	SHIFTER, CLUTCH	F-5-1-1
RING, BACK UP	F-11-19	SCREW, PAN, 6X25	F-3-20-40	SHIM A, BEVEL(0.10)	F-5-18
RING, CROSS PIN	F-5-3	SCREW, PAN, 6X35	FOP-3-4-23	SHIM A, BEVEL(0.10)	F-5-1-18
RING, CROSS PIN	F-5-1-3	SCREW, PAN, 6X8	F-10-44	SHIM A, GEAR(0.10)	F-4-21
RING, INNER(15X20X23)	F-2-36	SCREW, PAN, 6X8	F-10-77	SHIM A, THRUST(0.10)	F-5-1-19
RING, STOPPER	F-2-7	SCREW, PAN, 6X8	F-11-33	SHIM A, THRUST(2.75)	F-5-19
RING, WATER TUBE SEAL	F-4-8	SCREW, RIVET, 5X10	F-10-45	SHIM B, BEVEL(0.15)	F-5-18
RING, WATER TUBE SEAL	FOP-2-8	SCREW, RIVET, 5X10	F-11-34	SHIM B, BEVEL(0.15)	F-5-1-18
ROD COMP. A, SHIFT(L)	F-4-11	SCREW, SPECIAL, 6X35	F-3-20-33	SHIM B, GEAR(0.15)	F-4-21
ROD COMP. A, SHIFT(XL)	F-4-11	SCREW, TAPPET ADJUSTING	E-9-10-14	SHIM B, THRUST(0.15)	F-5-1-19
ROD COMP., CONNECTING	E-7-6	SCREW, TAPPET ADJUSTING	E-9-10-15	SHIM B, THRUST(2.80)	F-5-19
ROD COMP., PISTON	F-11-51	SCREW, TAPPING, 4X10	F-8-16	SHIM C, BEVEL(0.30)	F-5-18
ROD COMP., PISTON(B)	F-11-15	SCREW, TAPPING, 4X10	F-8-17	SHIM C, BEVEL(0.30)	F-5-1-18
ROD COMP., SHIFT	F-4-9	SCREW, TAPPING, 5X10	FOP-3-6-71	SHIM C, GEAR(0.30)	F-4-21
ROD COMP., SHIFT	F-4-9	SCREW, TAPPING, 5X12	FOP-3-6-72	SHIM C, THRUST(0.30)	F-5-1-19
ROD KIT, STEERING	F-10-3	SCREW, TAPPING, 5X20	E-15-25	SHIM C, THRUST(2.85)	F-5-19
ROD, LINK	F-2-10	SCREW, TAPPING, 5X25	FOP-3-6-74	SHIM D, BEVEL(0.50)	F-5-18
ROLLER	FOP-3-7-67	SCREW, TAPPING, 5X8	FOP-3-6-70	SHIM D, BEVEL(0.50)	F-5-1-18
ROLLER, 3X13.8	F-5-26	SCREW, TAPPING, 6X16	FOP-3-6-73	SHIM D, GEAR(0.50)	F-4-21
ROLLER, 3X13.8	F-5-1-27	SCREW, TAPPING, 6X30	FOP-3-4-24	SHIM D, THRUST(0.50)	F-5-1-19
ROLLER, 5X8	E-5-25	SCREW, TRUSS, 4X12	FOP-3-4-21	SHIM D, THRUST(2.90)	F-5-19
ROLLER, CLICK	FOP-3-6-64	SCREW, WASHER	E-18-22	SHIM E, THRUST(2.95)	F-5-19
ROLLER, DRIVE GEAR CAM	FOP-3-7-66	SCREW, WAVE WASHER	E-19-12	SHIM F, THRUST(3.00)	F-5-19
ROLLER, FREE THROTTLE	FOP-3-7-70	SCREW, WAVE WASHER	E-19-13	SHIM G, THRUST(3.05)	F-5-19
ROTOR ASSY.	E-19-15	SCREW-WASHER	E-18-20	SHIM H, THRUST(3.10)	F-5-19
ROTOR COMP.	E-21-2	SCREW-WASHER	E-19-11	SHIM I, THRUST(2.70)	F-5-19
ROTOR, OIL PUMP INNER	E-5-5	SCREW-WASHER, 5X15	F-7-30-8	SHIM J, THRUST(2.65)	F-5-19
ROTOR, OIL PUMP OUTER	E-5-6	SCREW-WASHER, 6X40	F-3-20-40	SHIM K, THRUST(2.60)	F-5-19
RUBBER C, STAND STOPPER	F-3-20-56	SEAL A, COVER UNDER	F-3-20-22	SHIM L, THRUST(2.55)	F-5-19
RUBBER, DRAIN PLUG	F-3-20-11	SEAL A, VALVE STEM(NOK)	E-9-4	SHIM M, THRUST(2.50)	F-5-19
RUBBER, FR. CARRIER CUSHION	F-8-10-11	SEAL B, COVER UNDER	F-3-20-23	SLIDER COMP., SHIFT	F-5-4
RUBBER, MOUNT CASE SEAL	E-6-10-24	SEAL B, EX. GUIDE	E-6-10-4	SLIDER COMP., SHIFT	F-5-1-4
RUBBER, OIL PUMP	E-5-3	SEAL B, VALVE STEM(NOK)	E-9-6	SLIDER, SHIFT	F-5-5
RUBBER, RING	E-4-28	SEAL C, UNDER COVER	F-3-20-25	SLIDER, SHIFT	F-5-1-5
RUBBER, SEAL SILENCER	E-15-7	SEAL D, UNDER COVER	F-8-10-25	SLINGER, OIL	F-4-15
RUBBER, STOPPER	F-8-10-10	SEAL, ENGINE COVER	F-8-4	SPACER KIT, REMOTE CONTROL BOX	FOP-3-2
RUBBER, UPPER MOUNT STOPPER	F-10-16	SEAL, EXHAUST GUIDE	E-6-10-3	SPACER KIT, REMOTE CONTROL BOX	FOP-3-2-2
<S>		SEAL, L. IDOL PORT	F-3-20-15	SPACER(1)(LOOSE PARTS)	FOP-3-7-10
SCREEN COMP., FUEL STRAINER	E-18-39	SEAL, L. IDOL PORT	F-3-20-15	SPACER(2)(LOOSE PARTS)	FOP-3-7-64
SCREEN, L. WATER	F-3-8	SEAL, R. IDOL PORT	F-3-20-14	SPACER, CABLE CLAMP	FOP-3-17
SCREEN, R. WATER	F-3-7	SEAL, R. IDOL PORT	F-3-20-14	SPACER, CABLE CLAMP	FOP-3-2-18
SCREW	E-19-9	SEAL, RUBBER	FOP-3-7-19	SPACER, CABLE CLAMP	FOP-3-4-13
SCREW	E-19-10	SEAL, SPARK PLUG TUBE(NOK)	E-1-4	SPACER, CABLE CLAMP	FOP-3-6-33
SCREW SET	E-15-1	SEAL, UPPER MOUNT COVER	F-10-19	SPACER, CLICK SPRING	FOP-3-6-27
SCREW SET, DRAIN	E-18-5	SEAL, WATER	F-11-46	SPACER, INTAKE MANIFOLD	E-14-16
SCREW SET, DRAIN	E-18-2-1	SEAL, WATER(14X26X8)	F-2-38	SPACER, L. RELIEF VALVE	E-6-10-18
SCREW, 4X10	FOP-3-7-49	SEAL, WATER, 12X21X6	F-3-29	SPACER, NEUTRAL SWITCH	FOP-3-6-30
SCREW, 4X6	FOP-3-7-47	SEAL, WATER, 12X21X6	F-4-27	SPACER, R. RELIEF VALVE	E-6-10-12
SCREW, 5X10	FOP-3-7-48	SEAL, WATER, 22X35X7	E-6-10-44	SPACER, REMOTE CONTROL BOX	FOP-3-6-26

SPACER, THERMOSTAT	E-4-12	TERMINAL, CABLE(LOOSE PARTS)	FOP-3-7-25	WASHER, LOCK, 5MM	FOP-3-2-35
SPACER, THROTTLE BODY	E-15-4	THERMOSTAT ASSY.	E-4-10	WASHER, LOCK, 5MM	FOP-3-4-26
SPRING COMP., CLICK	F-2-5	THROTTLE BODY ASSY.	E-15-3	WASHER, LOCK, 6MM	FOP-3-3-32
SPRING COMP., CLICK	F-10-4	TIE, CABLE	FOP-12-2	WASHER, LOCK, 6MM	FOP-3-2-37
SPRING COMP., TIMING BELT	E-13-9	TIE, CABLE(NATURAL)(2.4X92)	FOP-3-6-37	WASHER, PIVOT	F-2-4
SPRING(1)	FOP-3-7-27	TIE, CABLE(NATURAL)(2.4X92)	FOP-4-13	WASHER, PLAIN	E-18-24
SPRING(2)	FOP-3-7-8	T-JOINT	E-1-14	WASHER, PLAIN	E-18-25
SPRING, ACCELERATOR WHEEL	FOP-3-6-21	T-JOINT	E-18-10-16	WASHER, PLAIN, 10MM	E-6-10-39
SPRING, AIR FLOW TUBE	E-15-8	TRAP, FLAME	E-15-6	WASHER, PLAIN, 10MM	F-3-20-47
SPRING, CHOKE RETURN	FOP-3-6-25	TRIM METER ASSY (BLACK)	FOP-5-1-1	WASHER, PLAIN, 10MM	F-8-10-32
SPRING, CLICK ASSIST	F-2-6	TRIM-TILT ASSY., POWER	F-11-13	WASHER, PLAIN, 10MM	F-10-62
SPRING, CLICK ASSIST	F-10-5	TUBE A, AIR VENT	E-18-10-3	WASHER, PLAIN, 12MM	E-6-10-38
SPRING, COVER LOCK HOOK	F-8-10-17	TUBE B, AIR VENT	E-18-10-4	WASHER, PLAIN, 12MM	F-3-23
SPRING, DETENT	FOP-3-7-29	TUBE B, BREATHER	E-1-31	WASHER, PLAIN, 12MM	F-3-20-46
SPRING, EX. VALVE	E-9-10-17	TUBE C, BREATHER	E-1-32	WASHER, PLAIN, 12MM	F-4-20
SPRING, FLUSH VALVE	E-6-10-8	TUBE COMP. A, BREATHER	E-1-30	WASHER, PLAIN, 12MM	F-5-20
SPRING, IN. VALVE(GRAY)	E-9-10-16	TUBE COMP. A, FUEL	F-8-20-4	WASHER, PLAIN, 12MM	F-5-1-20
SPRING, LOCK ADJUSTER	F-8-8	TUBE COMP. B, FUEL	E-18-2-10	WASHER, PLAIN, 12MM	F-8-14
SPRING, LOCK LEVER RETURN	F-8-10-18	TUBE COMP. D, FUEL	E-18-2-11	WASHER, PLAIN, 12MM	F-10-63
SPRING, MOTOR	F-11-9	TUBE COMP. E, FUEL	E-18-2-12	WASHER, PLAIN, 12MM	F-10-64
SPRING, NEUTRAL LOCK ARM	FOP-3-4-7	TUBE COMP. G, FUEL	E-1-12	WASHER, PLAIN, 14MM	F-3-20-44
SPRING, RELIEF VALVE	E-5-9	TUBE COMP., AIR VENT	E-18-10-5	WASHER, PLAIN, 4MM	FOP-3-6-55
SPRING, RELIEF VALVE	E-6-10-11	TUBE COMP., FUEL(C)	E-1-34	WASHER, PLAIN, 5MM	FOP-3-31
SPRING, REMOTE CONTROL HANDLE	FOP-3-6-7	TUBE KIT, SPEED SENSOR	F-10-2	WASHER, PLAIN, 5MM	FOP-3-33
SPRING, ROCKER ARM	E-9-10-10	TUBE, 5X200	F-10-74	WASHER, PLAIN, 5MM	FOP-3-2-36
SPRING, SET	E-18-40	TUBE, 5X950	F-10-75	WASHER, PLAIN, 5MM	FOP-3-2-38
SPRING, SHIFT	F-5-6	TUBE, CHECK VALVE	E-18-10-2	WASHER, PLAIN, 5MM	FOP-3-6-56
SPRING, SHIFT	F-5-1-6	TUBE, FLUSH VALVE	E-6-10-50	WASHER, PLAIN, 5MM	FOP-3-6-57
SPRING, SHIFT CLICK	FOP-3-6-24	TUBE, FUEL, 3.5X130	E-14-10-21	WASHER, PLAIN, 5MM	FOP-4-26
SPRING, SHIFT ROD	F-4-10	TUBE, FUEL, 3.5X40	E-14-10-20	WASHER, PLAIN, 5MM	FOP-4-1-18
SPRING, SUPPORT	E-7-15	TUBE, FUEL, 3.5X50	E-14-31	WASHER, PLAIN, 6MM	E-15-22
SPRING, SUPPORT	E-7-15	TUBE, FUEL, 3.5X540	E-14-10-22	WASHER, PLAIN, 6MM	F-2-30
STAY COMP.	E-18-2-3	TUBE, FUEL, 3.5X55	E-18-10-22	WASHER, PLAIN, 6MM	E-2-32
STAY, A.C. GENERATOR	E-19-16	TUBE, FUEL, 3.5X590	E-14-10-23	WASHER, PLAIN, 6MM	F-2-33
STAY, FUEL PIPE A	E-18-2-4	TUBE, FUEL, 3.5X600	E-14-10-24	WASHER, PLAIN, 6MM	F-8-13
STAY, FUEL PIPE B	E-18-2-5	TUBE, L. WATER RETURN	E-4-9	WASHER, PLAIN, 6MM	F-10-60
STAY, FUEL STRAINER	E-18-2-18	TUBE, OIL	E-1-5	WASHER, PLAIN, 6MM	FOP-3-4-27
STAY, PLATE	E-18-8	TUBE, R. WATER RETURN	E-4-6	WASHER, PLAIN, 6MM	FOP-3-6-58
STAY, PLATE	E-18-36	TUBE, SPIRAL(12X14.6)	F-11-4	WASHER, PLAIN, 8MM	E-1-23
STAY, POWER TILT SWITCH	F-3-20-6	TUBE, VINYL, 3.5X6.5X350	E-18-2-34	WASHER, PLAIN, 8MM	E-6-12
STAY, VACUUM TANK	E-18-43	TUBE, VINYL, 3.5X6.5X600	E-18-10-23	WASHER, PLAIN, 8MM	F-7-11-19
STAY, WATER SEPARATOR	E-18-2-9	TUBE, WATER	E-4-8	WASHER, PLAIN, 8MM	F-8-10-28
STOPPER SET, SLEEVE	E-21-8	TUBE, WATER CHECK	E-6-10-49	WASHER, PLAIN, 8MM	F-8-10-34
STOPPER, LOWER MOUNT	F-3-20-18	TUBE, WATER IN.	E-18-10-14	WASHER, PLAIN, 8MM	FOP-3-6-60
STOPPER, TILT	F-10-29	TUBE, WATER JOINT	F-3-20-52	WASHER, PROPELLER	F-5-17
STRAINER ASSY., FUEL	E-18-2-13	TUBE, WATER OUTLET	E-18-10-15	WASHER, PROPELLER	F-5-1-17
STRAINER COMP., OIL	E-5-7	TUBE, WATER RELIEF	E-4-7	WASHER, PROPELLER THRUST	F-5-15
STRAINER, FUEL PUMP	E-18-10-7	TUBE, WATER(L)	F-4-7	WASHER, PROPELLER THRUST	F-5-1-15
SUB HARNESS ASSY., POWER	FOP-3-19	TUBE, WATER(XL)	F-4-7	WASHER, SEALING(22MM)	E-3-8
SUB HARNESS ASSY., POWER	FOP-3-2-20	<V>		WASHER, SEALING, 22MM	E-3-7
SUB HARNESS ASSY., POWER	FOP-3-2-21	VALVE ASSY., AIR BYPASS	E-14-10-10	WASHER, SEALING, 6MM	E-18-52
SUB HARNESS ASSY., POWER	FOP-3-4-16	VALVE ASSY., EAC	E-15-15	WASHER, SPRING, 5MM	FOP-4-27
SUSPENSION, COUPLER	F-7-2	VALVE ASSY., SPOOL	E-3-16	WASHER, SPRING, 5MM	FOP-4-1-19
SUSPENSION, STRAINER	E-18-2-19	VALVE ASSY., SPOOL	E-3-16	WASHER, THRUST	E-7-10
SUSPENSION, STRAINER	E-18-2-20	VALVE COMP., MANUAL	F-11-23	WASHER, THRUST	E-7-10
SUSPENSION, STRAINER	E-18-10-8	VALVE COMP., RESERVOIR	F-11-24	WASHER, THRUST	E-9-10-11
SWITCH ASSY., COMBINATION	FOP-3-6-38	VALVE SET, FLOAT	E-18-1	WASHER, THRUST BEARING	F-5-16
SWITCH ASSY., COMBINATION	FOP-3-7-33	VALVE, CHECK	E-14-10-9	WASHER, THRUST BEARING	F-5-1-16
SWITCH ASSY., COMBINATION	FOP-4-14	VALVE, CHECK	E-18-10-17	WASHER, THRUST, 14MM	F-2-28
SWITCH ASSY., COMBINATION	FOP-4-1-7	VALVE, EX.	E-9-10-13	WASHER, THRUST, 34MM	F-10-56
SWITCH ASSY., EMERGENCY STOP	FOP-3-6-41	VALVE, FLASH	E-6-10-10	WASHER, UPPER MOUNTING STOPPER	F-10-57
SWITCH ASSY., EMERGENCY STOP	FOP-3-7-37	VALVE, IN.	E-9-10-12	WASHER, WAVE	FOP-3-7-63
SWITCH ASSY., EMERGENCY STOP	FOP-4-15	VALVE, RELIEF	E-5-8	WASHER, WAVE, 10MM	F-8-10-33
SWITCH ASSY., EMERGENCY STOP	FOP-4-1-8	VALVE, RELIEF	E-6-10-9	WASHER, WAVE, 12MM	F-10-54
SWITCH ASSY., MAGNET	E-21-12	<W>		WASHER, WAVE, 26MM	F-10-55
SWITCH ASSY., NEUTRAL	F-2-43	WASHER	F-2-31	WASHER, WAVE, 40MM	F-10-53
SWITCH ASSY., OIL PRESSURE	E-3-22	WASHER B, THRUST, 14MM	F-2-29	WASHER, WAVE, 8MM	F-8-10-39
SWITCH ASSY., OIL PRESSURE	E-3-23	WASHER KIT, THRUST(200/225)	E-7-16	WHEEL, ACCELERATOR	FOP-3-6-20
SWITCH ASSY., POWER TILT	F-3-20-5	WASHER KIT, THRUST(200/225)	E-7-16	WHEEL, CONTROL	FOP-3-6-13
SWITCH ASSY., POWER TRIM-TILT	FOP-3-20	WASHER(3)	FOP-3-7-58	WIRE, LEAD(1.5X116MM)	F-10-9
SWITCH ASSY., POWER TRIM-TILT	FOP-3-2-22	WASHER(4)	FOP-3-7-59	WIRE, LEAD(1.5X116MM)	F-11-11
SWITCH ASSY., POWER TRIM-TILT	FOP-3-2-23	WASHER(5)	FOP-3-7-60	WRENCH, BOX(10MM)	F-13-11
SWITCH ASSY., POWER TRIM-TILT	FOP-3-4-17	WASHER(7)(LOOSE PARTS)	FOP-3-7-62	WRENCH, EYE, 19MM	F-13-12
SWITCH ASSY., POWER TRIM-TILT	FOP-3-6-39	WASHER, 10MM	F-10-61	WRENCH, HEX., 6MM	F-13-7
SWITCH ASSY., POWER TRIM-TILT	FOP-3-7-34	WASHER, 25MM	F-10-59	WRENCH, PLUG	F-13-6
SWITCH KIT, LIGHT	FOP-4-3	WASHER, 28MM	FOP-3-6-61	<Y>	
<T>		WASHER, 30MM	F-3-20-43	YOKE ASSY.	F-11-8
TAB, TRIM	F-3-9	WASHER, 6MM	FOP-3-6-59	YOKE COMP.	E-21-5
TACHOMETER HOUR METER (BLACK)	FOP-5-1-4	WASHER, 7/8INCH	F-10-58		
TANK COMP., VACUUM	E-18-42	WASHER, 8MM	FOP-2-10		
TANK, OIL	F-11-27	WASHER, 8MM	FOP-3-7-61		
TENSIONER COMP., TIMING BELT	E-13-7	WASHER, AIR CLEANER COVER	F-2-1		
TERMINAL, CABLE	FOP-3-16	WASHER, CONICAL SPRING(5)	E-14-10-11		
TERMINAL, CABLE	FOP-3-2-17	WASHER, DRAIN PLUG, 12MM	E-6-13		
TERMINAL, CABLE	FOP-3-4-12	WASHER, LOCK, 5MM	FOP-3-30		

INDEX (Parts Number)

332-70201-0	F-6-8	HCO-94301-08140	E-3-10-17	HMT8-18334-770	FOP-4-1-2	HPNA-91214-014	E-3-41
3C7-70217-0	F-6-5	HCO-94301-10120	E-14-30	HP01-91212-003	E-5-18	HPNA-91302-003	E-14-29
3C7-70220-1	F-6-2	HCO-94302-06100	E-9-21	HP08-12342-004	E-1-4	HPNA-91307-003	E-3-42
3C7-70224-1	F-6-3	HCO-94302-10160	E-5-21	HP0A-91303-A02	E-15-23	HPNA-91307-003	E-4-25
3FF-70200-4	F-6-1	HCO-94302-10160	E-6-10-51	HP0X-91321-003	E-3-47	HPP4-90009-E01	E-18-45
3GF-70211-1	F-6-4	HCO-94303-05080	E-3-52	HP13-31141-003	E-19-6	HPR3-91319-003	E-3-46
3GF-70240-1	F-6-7	HCO-94305-30203	F-10-73	HP13-31147-003	E-19-10	HPR7-31105-A01	E-19-1
3GF-70241-1	F-6-6	HCO-94510-15000	F-5-29	HP13-31148-003	E-19-12	HPR7-36361-A01	E-18-42
3PU-72537-0	FOP-5-1-8	HCO-94510-15000	F-5-1-30	HP5A-13115-000	E-7-4	HPT0-14744-004	E-9-10-15
3PV-72571-0	FOP-5-1-1	HCO-94540-03029	FOP-3-6-77	HP5A-31201-005	E-21-2	HPT0-31111-003	E-19-2
3PV-72637-0	FOP-5-1-4	HCO-94540-04029	F-2-40	HP5A-31243-005	E-21-14	HPT0-31114-013	E-19-3
H121-51640-730	F-8-10-11	HCO-94540-04029	FOP-3-6-78	HP5G-16614-003	E-14-4	HPT0-31118-003	E-19-4
H196-47117-000	F-8-10-10	HCO-94540-06029	F-8-10-38	HP8A-11812-A00	E-13-10-1	HPT0-31146-003	E-19-9
H341-38403-672	FOP-3-6-45	HCO-94540-06029	FOP-3-3-36	HP8A-13204-A01	E-7-5	HPT0-31147-003	E-19-11
H341-38403-672	FOP-3-7-40	HCO-94540-06029	FOP-3-2-41	HP8A-13321-A01	E-7-9	HPT0-31148-003	E-19-13
H341-38403-672	FOP-4-20	HCO-94540-06029	FOP-3-4-28	HP8A-13322-A01	E-7-9	HPT0-90005-003	E-9-13
H341-38403-672	FOP-4-1-12	HCO-94540-07029	FOP-3-6-79	HP8A-13323-A01	E-7-9	HPT0-90206-004	E-9-10-24
H355-95217-000	F-13-11	HCO-94540-10019	F-4-33	HP8A-13324-A01	E-7-9	HPT0-90705-000	E-9-18
H371-89221-000	F-13-7	HCO-94540-12029	F-2-41	HP8A-13325-A01	E-7-9	HPT2-91005-N01	F-5-22
H371-90009-015	E-6-10-25	HCO-94540-15029	F-11-49	HP8A-13326-A01	E-7-9	HPT2-91005-N01	F-5-1-22
H663-38562-920	F-10-8	HCO-95001-35040-40	E-14-10-20	HP8A-13341-A01	E-7-11	HPW5-90701-000	E-5-16
H723-90472-000	F-4-20	HCO-95001-35050-40	E-14-31	HP8A-13342-A01	E-7-11	HPW5-90701-000	E-6-10-42
H759-16911-003	E-18-10-7	HCO-95001-35055-40	E-18-10-22	HP8A-13343-A01	E-7-11	HPXK-14711-000	E-9-10-12
H763-90681-A01	F-7-11-21	HCO-95001-35130-40	E-14-10-21	HP8A-13344-A01	E-7-11	HPY3-17249-000	E-15-8
H763-90681-A01	F-10-67	HCO-95001-35540-40	E-14-10-22	HP8A-13345-A01	E-7-11	HPY3-31215-004	E-21-4
H800-91303-000	E-6-10-45	HCO-95001-35590-60	E-14-10-23	HP8A-13346-A01	E-7-11	HPY3-31218-004	E-21-6
H805-91301-000	E-3-10-16	HCO-95001-35600-40	E-14-10-24	HP8A-14400-A01	E-13-6	HPZ1-12210-004	E-9-4
H881-90110-000	F-10-42	HCO-95003-05035-31	E-18-2-34	HP8A-14551-A01	E-13-13	HPZ1-12211-004	E-9-6
H921-15611-000	E-3-10-4	HCO-95003-05060-31	E-18-10-23	HP8A-14620-A01	E-9-10-5	HR70-13210-A10	E-7-6
H921-17936-000	F-2-4	HCO-95005-5020030	F-10-74	HP8A-14626-A00	E-9-10-6	HRCA-14632-A00	E-9-10-9
H921-90302-000	F-3-20-41	HCO-95005-5095030	F-10-75	HP8A-14627-A00	E-9-10-7	HRCA-17055-A01	E-14-12
H921-90302-000	FOP-3-6-53	HCO-95011-63000	F-3-20-56	HP8A-14631-A00	E-9-10-8	HRCA-17065-A01	E-14-14
H921-90302-000	FOP-3-7-55	HCO-95551-20000	F-8-2	HP8A-14645-A01	E-9-10-10	HRCA-90014-A01	E-3-30
H921-90302-000	FOP-4-24	HCO-95701-06014-09	E-5-22	HP8A-15115-A01	E-3-9	HRCA-90704-A00	E-13-26
H921-90302-000	FOP-4-1-16	HCO-95701-06018-09	E-5-23	HP8A-15140-A00	E-3-10	HRDV-14610-J00	E-9-10-4
H921-90504-010	F-8-13	HCO-95701-08030-09	E-5-24	HP8A-15142-A00	E-3-11	HRDV-14631-J00	E-9-10-8
H921-90504-010	FOP-3-6-58	HCO-95701-10070-09	E-6-10-52	HP8A-15150-A00	E-3-12	HRDV-14646-J00	E-9-10-11
H921-90511-000	F-10-62	HCO-95701-12120-09	E-6-10-53	HP8A-90003-A00	E-9-10-21	HRDV-14765-J00	E-9-10-18
H921-90512-010	FOP-3-6-59	HCO-96211-07000	F-5-30	HP8A-90004-A00	E-9-10-22	HRGL-13310-A00	E-7-8
H921-90514-000	FOP-2-10	HCO-96211-07000	F-5-1-31	HP8A-90017-A01	E-13-10-8	HRGM-14781-A01	E-9-10-20
H921-90518-000	F-8-10-34	HCO-96211-12000	F-5-31	HP8A-90031-A01	E-13-23	HRJA-14721-E00	E-9-10-13
H921-90518-000	FOP-3-6-60	HCO-96211-12000	F-5-1-32	HP8A-90701-A00	E-9-17	HRJA-90017-003	E-13-21
H921-90602-000	E-18-2-28	HCO-96220-50080	E-5-25	HP8A-91301-A00	E-9-20	HRKG-91213-003	E-9-19
H921-90602-000	F-10-65	HCO-98078-5617C	E-20-2	HP8A-91308-A01	E-3-43	HRNA-30530-A01	E-3-18
HP52-32901-770	FOP-3-6-37	HCO-98200-41000	F-7-30-9	HP8A-91309-A01	E-3-45	HRNA-37830-A01	E-14-10-12
HP52-32901-770	FOP-4-13	HCO-98200-41500	F-7-30-10	HP8D-36165-J00	E-14-10-11	HRTA-15400-004	E-3-10-3
HP58-90428-000	F-2-29	HCO-98200-43000	F-7-30-11	HP8E-14761-A01	E-9-10-16	HS0A-91541-003	E-3-48
HCO-92101-05016-4J	FOP-3-6-68	HCO-99003-30000	F-13-8	HP8E-14762-A01	E-9-10-17	HS0A-91541-003	E-13-10-11
HCO-92101-06055-4J	F-3-34	HCO-99003-30000	F-13-13	HP8E-17105-A01	E-14-15	HS0A-91541-003	F-2-44
HCO-93500-05010-4J	FOP-3-6-69	HCO-99003-50000	F-13-3	HP8F-13211-A11	E-7-7	HS0A-91541-003	F-7-6
HCO-93500-05016-4J	E-3-49	HCO-99006-19000	F-13-12	HP8F-13212-A11	E-7-7	HS0A-91541-003	F-7-11-24
HCO-93500-05020-4J	E-3-50	HGCF-80106-670	F-8-20-3	HP8F-13213-A11	E-7-7	HS0A-91541-003	F-8-10-36
HCO-93500-05065-4J	FOP-3-34	HGHB-16163-600	E-18-2-2	HP8F-13214-A11	E-7-7	HS0X-46392-A01	F-2-21
HCO-93500-05065-4J	FOP-3-2-39	HGHB-16163-610	E-6-10-1	HP8F-13215-A11	E-7-7	HS0A-90683-003	E-18-2-32
HCO-93500-06018-4J	E-4-27	HHA0-90402-000	F-2-28	HP8F-14820-A01	E-9-10	HS0A-90683-003	E-20-11-10
HCO-93500-06025-4J	F-3-20-40	HHE0-50310-003	E-1-17	HPC6-15233-000	E-5-10	HS0A-90683-003	F-3-20-50
HCO-93600-06016-0A	E-5-20	HHW1-90207-671	E-6-10-37	HPC6-91324-000	E-5-19	HSB0-90602-003	F-11-35
HCO-93901-250J0	FOP-3-6-70	HHW1-90215-671	F-4-17	HPD1-31138-004	E-19-5	HSB2-90620-003	F-7-11-20
HCO-93901-251J0	FOP-3-6-71	HKE8-17251-690	F-8-1	HPD1-31142-004	E-19-7	HSB2-90650-003	E-14-26
HCO-93901-252J0	FOP-3-6-72	HKG4-90659-000	E-18-2-31	HPD1-31145-004	E-19-8	HSB6-91475-000	FOP-3-6-65
HCO-93903-254G0	E-15-25	HKM3-32161-003	F-10-6	HPD1-30131-014	E-19-26	HSC2-90649-003	FOP-4-25
HCO-93903-262J0	FOP-3-6-73	HKM3-32161-003	F-10-76	HPD6-90430-003	E-18-52	HSC2-90649-003	FOP-4-1-17
HCO-93905-255J0	FOP-3-6-74	HKN5-17224-670	F-2-1	HPE0-15231-000	E-5-8	HSD2-90705-931	F-2-34
HCO-93911-141J0	F-8-16	HKT7-91305-003	E-1-29	HPEA-13111-000	E-7-3	HSD4-91356-952	E-4-26
HCO-93913-141J0	F-8-17	HKY7-17450-740	E-18-10-10	HPF0-91302-003	F-2-39	HSD9-54316-013	E-1-19
HCO-94001-05490-05	FOP-3-35	HMB1-90655-921	E-18-10-20	HPG6-15232-000	E-5-9	HSDA-39794-004	F-7-30-5
HCO-94001-05490-05	FOP-3-2-40	HMG9-17201-000	E-14-10-7	HPG7-16741-005	E-14-7	HSE0-53740-953	E-1-18
HCO-94001-06080-05	E-19-27	HMG9-35701-950	F-11-3	HPGK-37835-A01	E-14-10-13	HSF4-89216-000	F-13-6
HCO-94001-06490-05	FOP-3-6-75	HMG9-35701-950	FOP-3-6-40	HPH1-90015-013	E-3-10-6	HSJ6-78419-003	E-14-18
HCO-94001-12490-05	F-10-72	HMJ0-91301-003	E-14-27	HPH3-90011-000	E-5-14	HSK7-91566-003	E-1-33
HCO-94002-05490-05	FOP-3-6-76	HMJ0-91301-003	E-18-54	HPH7-90715-000	E-3-39	HSL0-91592-A51	E-18-10-21
HCO-94002-06490-05	F-8-18	HMJ0-91308-003	F-3-32	HPJ7-12204-305	E-9-2	HSTK-91540-003	FOP-12-3
HCO-94103-05400	FOP-4-26	HMJ0-91308-003	F-4-28	HPJ7-12205-305	E-9-3	HVM0-16965-771	E-18-10-9
HCO-94103-05400	FOP-4-1-18	HML0-90101-720	F-8-10-28	HPK1-91308-003	E-3-44	HZA0-90684-601	F-8-10-35
HCO-94111-05400	FOP-4-27	HMM4-90105-000	FOP-3-6-50	HPLC-91301-000	E-14-28	HZB7-90691-003	E-1-28
HCO-94111-05400	FOP-4-1-19	HMM8-90502-610	F-8-10-32	HPM3-14744-000	E-9-10-14	HZB7-90691-003	E-18-53
HCO-94301-06100	E-3-51	HMR5-16966-000	F-8-20-6	HPM3-14775-000	E-9-10-19	HZC0-63515-700	F-8-10-24
HCO-94301-06100	E-13-28	HMT2-17193-000	E-1-14	HPM3-90206-004	E-9-10-23	HZE2-90601-000	E-6-13
HCO-94301-06100	E-15-26	HMT8-18334-770	FOP-4-4	HPM4-36145-004	E-14-10-9	HZV0-41122-000	E-13-18

HZV0-90604-000.E-1-27
HZV0-90604-000.E-18-2-29
HZV1-24210-010.F-10-4
HZV1-87538-C23.F-12-14
HZV4-12155-A00.E-3-4
HZV4-17704-010.F-8-20-5
HZV4-24221-010.F-10-5
HZV4-36182-651.FOP-3-6-42
HZV4-36182-651.FOP-3-7-38
HZV4-36182-651.FOP-4-16
HZV4-36187-652.FOP-3-6-43
HZV4-36187-652.FOP-4-17
HZV4-36187-652.FOP-4-1-10
HZV4-90127-000.E-6-10
HZV4-90127-000.F-2-26
HZV4-90302-000.F-3-20
HZV4-90304-000.FOP-3-6-54
HZV4-90502-000.FOP-3-31
HZV4-90502-000.FOP-3-2-36
HZV4-90502-000.FOP-3-6-57
HZV4-90506-000.F-2-30
HZV4-90512-000.F-2-33
HZV4-90512-000.F-10-60
HZV4-90514-000.F-10-61
HZV4-90603-000.E-6-10-40
HZV4-90605-000.E-6-10-41
HZV4-90605-000.E-18-2-30
HZV4-90605-000.F-3-20-48
HZV5-12155-000.E-4-1
HZV5-12214-000.E-3-8
HZV5-24811-010.FOP-3-6-2
HZV5-24812-000.FOP-3-6-3
HZV5-24813-000.FOP-3-6-4
HZV5-24814-010.FOP-3-6-5
HZV5-24815-010.FOP-3-6-6
HZV5-24816-000.FOP-3-6-7
HZV5-24817-000.FOP-3-6-8
HZV5-24818-003.FOP-3-6-9
HZV5-24820-010.FOP-3-6-10
HZV5-24830-010.FOP-3-6-11
HZV5-24836-000.FOP-3-6-12
HZV5-24841-000.FOP-3-6-13
HZV5-24845-000.FOP-3-6-14
HZV5-24850-000.FOP-3-6-15
HZV5-24854-000.FOP-3-6-16
HZV5-24855-000.FOP-3-6-17
HZV5-24860-000.FOP-3-6-18
HZV5-24865-000.FOP-3-6-19
HZV5-24875-000.FOP-3-6-20
HZV5-24876-000.FOP-3-6-21
HZV5-24878-000.FOP-3-6-22
HZV5-24881-000.FOP-3-6-23
HZV5-24883-000.FOP-3-6-24
HZV5-24884-000.FOP-3-6-25
HZV5-24885-000.FOP-3-6-26
HZV5-24887-000.FOP-3-6-27
HZV5-24891-000.FOP-3-6-28
HZV5-24892-000.FOP-3-6-29
HZV5-24894-000.FOP-3-6-30
HZV5-24895-000.FOP-3-6-31
HZV5-24897-000.FOP-3-6-32
HZV5-24898-000.FOP-3-6-33
HZV5-32823-003.FOP-3-6-35
HZV5-32823-003.FOP-3-7-31
HZV5-32823-003.FOP-4-11
HZV5-32823-003.FOP-4-15
HZV5-32824-003.FOP-3-6-36
HZV5-32824-003.FOP-3-7-32
HZV5-32824-003.FOP-4-12
HZV5-32824-003.FOP-4-1-6
HZV5-35370-823.FOP-3-6-39
HZV5-36136-821.F-11-9
HZV5-36180-033.FOP-3-6-41
HZV5-36180-033.FOP-3-7-37
HZV5-36180-033.FOP-4-15
HZV5-36180-033.FOP-4-1-8
HZV5-38410-003.FOP-3-6-46
HZV5-38410-003.FOP-3-7-41
HZV5-38410-003.FOP-4-21
HZV5-38410-003.FOP-4-1-13
HZV5-40102-000.E-15-16
HZV5-40107-000.F-3-20-7
HZV5-41171-000.F-10-10
HZV5-41172-000.F-10-11
HZV5-50214-003.F-11-12
HZV5-56117-821.F-11-19
HZV5-56118-820.F-11-20
HZV5-56513-000.F-11-25
HZV5-82873-003.F-3-20-30
HZV5-90009-000.E-6-8
HZV5-90009-000.F-8-10-26
HZV5-90012-013.E-13-20
HZV5-90081-010.E-3-37
HZV5-90081-010.E-5-15
HZV5-90110-000.F-3-20-33
HZV5-90119-000.F-10-44
HZV5-90119-000.F-10-77
HZV5-90119-000.F-11-33
HZV5-90125-000.FOP-3-6-52
HZV5-90127-003.F-10-45
HZV5-90127-003.F-11-34
HZV5-90131-000.E-6-11
HZV5-90302-003.F-2-27
HZV5-90304-013.F-10-49
HZV5-90307-003.F-10-52
HZV5-90501-000.F-10-53
HZV5-90502-000.F-10-55
HZV5-90504-000.F-10-56
HZV5-90552-000.F-10-63
HZV5-90557-000.FOP-3-6-61
HZV5-90559-000.E-6-10-38
HZV5-90559-000.F-3-23
HZV5-90559-000.F-3-20-46
HZV5-90559-000.F-5-20
HZV5-90559-000.F-5-1-20
HZV5-90559-000.F-10-64
HZV5-90563-000.E-6-10-39
HZV5-90563-000.F-3-20-47
HZV5-90651-000.F-10-66
HZV5-90751-000.FOP-3-6-62
HZV5-90756-000.F-3-25
HZV5-90756-000.F-3-20-51
HZV5-90756-000.F-4-23
HZV5-90772-000.FOP-3-6-63
HZV5-91151-000.FOP-3-6-64
HZV5-91203-821.F-11-37
HZV5-91256-003.F-10-69
HZV5-91302-821.F-11-39
HZV5-91316-821.F-11-40
HZV5-91352-000.F-10-70
HZV5-91553-010.E-15-24
HZV5-91553-010.E-20-5
HZV5-91553-010.E-20-11-11
HZV5-91553-010.F-7-11-25
HZV5-91563-000.F-3-20-54
HZV5-91567-000.FOP-3-6-66
HZV5-91570-000.FOP-3-6-67
HZV7-90508-000.F-2-31
HZV7-90951-010.F-10-68
HZW1-06411-020.F-10-1
HZW1-15631-000.E-3-10-5
HZW1-19286-B00.F-3-2
HZW1-24210-010.F-2-5
HZW1-24327-000.F-2-7
HZW1-24343-B02.F-4-12
HZW1-24629-000.F-2-17
HZW1-31226-004.E-21-7
HZW1-31229-004.E-21-8
HZW1-31231-004.E-21-9
HZW1-36104-003.F-11-4
HZW1-38551-000.F-7-11-10
HZW1-40107-700.F-11-10
HZW1-40209-000.F-3-20-11
HZW1-41102-B00.F-3-5
HZW1-41109-B00.F-3-10
HZW1-56110-701.F-11-15
HZW1-56113-701.F-11-16
HZW1-56116-701.F-11-18
HZW1-56130-702.F-11-22
HZW1-56180-701.F-11-24
HZW1-56539-000.F-10-33
HZW1-56851-703.F-11-27
HZW1-56860-701.F-11-28
HZW1-90013-000.E-15-17
HZW1-90013-000.F-7-11-13
HZW1-90014-000.E-18-46
HZW1-90102-000.F-10-36
HZW1-90106-004.E-21-21
HZW1-90107-004.E-21-22
HZW1-90108-000.F-10-41
HZW1-90113-702.F-11-29
HZW1-90114-702.F-11-30
HZW1-90115-702.F-11-31
HZW1-90116-702.F-11-32
HZW1-90203-000.F-7-11-17
HZW1-90242-000.F-4-18
HZW1-90301-B00.F-5-14
HZW1-90301-B00.F-5-1-14
HZW1-90304-013.F-10-50
HZW1-90308-003.F-3-22
HZW1-90401-000.E-6-12
HZW1-90518-B00.F-4-21
HZW1-90519-B00.F-4-21
HZW1-90520-B00.F-4-21
HZW1-90521-B00.F-4-21
HZW1-90652-702.F-11-36
HZW1-90758-B00.F-3-26
HZW1-90758-B00.F-5-21
HZW1-90758-B00.F-5-1-21
HZW1-91054-B31.F-4-25
HZW1-91207-013.F-11-38
HZW1-91352-702.F-11-41
HZW1-91353-703.F-11-42
HZW1-91354-701.F-11-43
HZW1-91355-701.F-11-44
HZW1-91357-701.F-11-45
HZW1-91358-701.F-11-46
HZW1-91361-701.F-11-47
HZW1-91554-000.E-18-55
HZW1-91554-000.F-8-10-37
HZW1-91557-701.F-11-48
HZW2-90651-000.E-20-11-7
HZW2-90003-000.F-7-11-12
HZW4-90108-000.FOP-3-6-51
HZW4-90126-000.E-1-35
HZW4-90146-000.E-4-19
HZW4-90147-000.E-3-10-14
HZW4-90155-000.E-4-20
HZW4-90156-000.E-3-38
HZW4-90156-000.E-14-10-18
HZW4-90306-003.F-10-51
HZW4-90401-000.FOP-3-6-55
HZW4-90402-000.FOP-3-6-56
HZW4-91301-003.F-3-30
HZW4-91301-003.F-3-31
HZW5-06241-U00.FOP-3-2
HZW5-06241-U10.FOP-3-2-2
HZW5-06352-U01.FOP-4-3
HZW5-06900-U00.FOP-7-1
HZW5-16081-010.E-18-20
HZW5-16086-000.E-18-23
HZW5-16087-000.E-18-24
HZW5-16715-023.E-18-29
HZW5-16733-000.E-18-34
HZW5-16915-000.E-18-10-8
HZW5-19291-000.E-6-10-9
HZW5-19292-000.E-6-10-11
HZW5-19297-000.E-6-10-15
HZW5-24810-U01.FOP-3-3
HZW5-24810-U01.FOP-3-2-3
HZW5-24810-U11.FOP-3-2-4
HZW5-24811-U01.FOP-3-4
HZW5-24811-U01.FOP-3-2-5
HZW5-24812-U01.FOP-3-5
HZW5-24812-U01.FOP-3-2-6
HZW5-24813-U01.FOP-3-6
HZW5-24813-U01.FOP-3-2-7
HZW5-24813-U21.FOP-3-2-8
HZW5-24814-U01.FOP-3-7
HZW5-24814-U01.FOP-3-2-9
HZW5-24815-U01.FOP-3-8
HZW5-24816-U01.FOP-3-9
HZW5-24816-U01.FOP-3-2-10
HZW5-24816-U01.FOP-3-4-8
HZW5-24817-U01.FOP-3-10
HZW5-24817-U01.FOP-3-2-11
HZW5-24818-U01.FOP-3-11
HZW5-24818-U01.FOP-3-2-12
HZW5-24819-U01.FOP-3-12
HZW5-24819-U01.FOP-3-2-13
HZW5-24825-U01.FOP-3-14
HZW5-24825-U01.FOP-3-2-15
HZW5-24826-U01.FOP-3-15
HZW5-24826-U01.FOP-3-2-16
HZW5-24826-U01.FOP-3-4-10
HZW5-24831-U01.FOP-3-16
HZW5-24831-U01.FOP-3-2-17
HZW5-24831-U01.FOP-3-4-12
HZW5-24832-U01.FOP-3-17
HZW5-24832-U01.FOP-3-2-18
HZW5-24832-U01.FOP-3-4-13
HZW5-24834-U01.FOP-3-18
HZW5-24834-U21.FOP-3-2-19
HZW5-32168-003.E-18-56
HZW5-35370-U02.FOP-3-20
HZW5-35370-U02.FOP-3-2-22
HZW5-35370-U12.FOP-3-2-23
HZW5-35665-003.E-15-14
HZW5-90002-013.E-5-13
HZW5-90011-010.E-19-22
HZW5-90018-000.E-20-11-9
HZW5-90018-000.F-7-30-7
HZW5-90021-U00.FOP-7-2
HZW5-90023-000.F-2-24
HZW5-90101-U00.FOP-3-22
HZW5-90101-U00.FOP-3-2-25
HZW5-90101-U00.FOP-3-4-20
HZW5-90102-U00.FOP-3-23
HZW5-90102-U00.FOP-3-2-26
HZW5-90103-U01.FOP-3-24
HZW5-90103-U01.FOP-3-2-27
HZW5-90104-U00.FOP-3-25
HZW5-90104-U00.FOP-3-2-28
HZW5-90105-U01.FOP-3-26
HZW5-90105-U01.FOP-3-20-29
HZW5-90106-U00.FOP-3-27
HZW5-90106-U00.FOP-3-2-30
HZW5-90107-U00.FOP-3-28
HZW5-90107-U00.FOP-3-2-31
HZW5-90108-U00.FOP-3-2-32
HZW5-90109-000.FOP-4-23
HZW5-90109-000.FOP-4-1-15
HZW5-90203-010.E-19-25
HZW5-90301-U00.FOP-3-29
HZW5-90301-U00.FOP-3-2-33
HZW5-90302-003.F-10-48
HZW5-90302-U21.FOP-3-2-34
HZW5-90501-U00.FOP-3-30
HZW5-90501-U00.FOP-3-2-35
HZW5-90501-U00.FOP-3-4-26
HZW5-90502-U00.FOP-3-32
HZW5-90502-U00.FOP-3-2-37
HZW5-90503-U00.FOP-3-33
HZW5-90503-U00.FOP-3-2-38
HZW5-90509-711.F-5-16
HZW5-90509-711.F-5-1-16
HZW5-90511-U00.FOP-7-3
HZW5-90512-U00.FOP-7-4
HZW5-90548-710.F-5-1-19
HZW5-90549-710.F-5-1-19
HZW5-90550-710.F-5-1-19
HZW5-90551-710.F-5-1-19
HZW5-90601-030.E-18-10-18
HZW5-91201-003.E-5-17
HZW5-91202-003.E-6-10-44
HZW5-91251-003.F-2-37
HZW7-24810-U01.FOP-3-4-2
HZW7-24811-U01.FOP-3-4-3
HZW7-24812-U01.FOP-3-4-4
HZW7-24813-U01.FOP-3-4-5
HZW7-24814-U01.FOP-3-4-6
HZW7-24815-U01.FOP-3-4-7
HZW7-24817-U01.FOP-3-4-9
HZW7-24832-U01.FOP-3-4-14
HZW7-24833-U01.FOP-3-4-15
HZW7-32530-U00.FOP-3-19
HZW7-32530-U00.FOP-3-2-20
HZW7-32530-U10.FOP-3-2-21
HZW7-32530-U20.FOP-3-4-16
HZW7-35370-U02.FOP-3-4-17
HZW7-87703-U00.FOP-3-4-19

HZW7-90101-U01 FOP-3-4-21
HZW7-90102-U01 FOP-3-4-22
HZW7-90103-U01 FOP-3-4-23
HZW7-90104-U01 FOP-3-4-24
HZW7-90301-U01 FOP-3-4-25
HZW7-90502-U00 FOP-3-4-27
HZW9-19279-000 E-6-10-8
HZW9-19291-000 E-6-10-10
HZW9-19297-000 E-6-10-16
HZW9-19303-003 E-4-28
HZW9-32114-730 E-1-15
HZW9-32114-730 E-3-19
HZW9-35490-003 E-3-22
HZW9-87702-800 FOP-3-6-48
HZW9-90005-000 F-10-34
HZW9-90008-000 FOP-3-6-49
HZW9-90009-000 F-10-35
HZW9-90011-000 E-1-20
HZW9-90011-000 E-13-19
HZW9-90011-000 F-2-22
HZW9-90013-000 F-7-3
HZW9-90013-000 F-7-11-14
HZW9-90014-000 E-18-2-26
HZW9-90014-000 E-20-11-8
HZW9-90014-000 F-7-11-15
HZW9-90016-000 E-14-19
HZW9-90016-000 E-18-47
HZW9-90019-000 E-1-21
HZW9-90019-000 E-3-32
HZW9-90019-000 E-4-16
HZW9-90019-000 E-14-20
HZW9-90101-003 F-3-11
HZW9-90102-000 F-2-25
HZW9-90102-000 F-8-10-29
HZW9-90103-010 F-10-37
HZW9-90105-000 F-8-10
HZW9-90105-000 F-8-10-30
HZW9-90105-000 F-10-40
HZW9-90506-000 F-8-10-33
HZX1-90133-R00 F-8-12
HZX2-15655-000 E-3-53
HZX2-16020-003 E-18-4
HZX2-16024-003 E-18-2-1
HZX2-16030-003 E-18-7
HZX2-16700-003 E-1-9
HZX2-16701-003 E-18-27
HZX2-16730-003 E-18-33
HZX2-16736-003 E-18-2-3
HZX2-16800-003 E-18-2-6
HZX2-16805-003 E-18-2-7
HZX2-16814-000 E-18-2-9
HZX2-16850-C00 F-8-20-4
HZX2-16860-C00 E-18-2-10
HZX2-16870-C00 E-1-34
HZX2-16880-C00 E-18-2-11
HZX2-16890-C00 E-18-2-12
HZX2-16900-003 E-18-2-13
HZX2-16912-003 E-18-2-17
HZX2-16914-000 E-18-2-18
HZX2-16940-003 E-18-2-25
HZX2-30280-003 F-11-1
HZX2-30416-000 E-20-11-1
HZX2-30520-003 E-20-1
HZX2-31106-003 F-11-2
HZX2-32100-010 F-7-1
HZX2-32166-003 E-18-41
HZX2-32410-000 F-7-11-3
HZX2-32414-300 F-7-11-5
HZX2-32415-000 F-7-11-7
HZX2-32435-000 F-7-11-8
HZX2-35470-013 F-2-43
HZX2-36120-013 F-11-5
HZX2-36122-003 F-11-6
HZX2-36129-003 F-11-8
HZX2-38228-003 F-7-30-3
HZX2-38550-003 F-7-11-9
HZX2-38552-000 F-7-11-11
HZX2-41102-E00ZC F-3-6
HZX2-41107-C00ZC F-3-9
HZX2-56000-023 F-11-13
HZX2-63119-C00 F-8-8
HZX2-63260-C00 F-8-10-23
HZX2-63719-C00 F-3-20-23
HZX2-87117-C00 F-12-16
HZX2-90002-000 E-19-21
HZX2-90101-C00 F-2-42
HZX2-90102-C00 F-3-20-57
HZX2-90105-C00 F-4-16
HZX2-90107-C00 F-3-35
HZX2-90129-000 F-10-46
HZX2-90502-003 F-8-10-39
HZX2-90683-003 E-18-2-33
HZX2-90683-003 F-7-11-22
HZY1-90205-000 F-3-19
HZY1-90205-000 F-10-47
HZY1-90650-003 FOP-12-2
HZY2-14111-A00 E-9-10-1
HZY2-14211-A00 E-9-10-2
HZY2-15810-000ZA E-3-16
HZY2-15825-000 E-3-17
HZY2-32100-H01 F-7-1
HZY2-34750-E03 E-20-11-4
HZY2-63100-R00ZA F-8-3
HZY2-63100-R00ZA F-8-3
HZY2-63100-R02ZA F-8-3
HZY2-63100-R01ZA F-8-3
HZY2-63100-R01ZA F-8-3
HZY2-87121-R00 F-12-3
HZY2-87132-R00 F-12-6
HZY2-87133-R00 F-12-18
HZY3-06125-C00 F-3-1
HZY3-06131-000 E-7-16
HZY3-06131-000 E-7-16
HZY3-06192-000 FOP-2-1
HZY3-06193-010 FOP-2-2
HZY3-06412-000 F-10-2
HZY3-06532-U00 F-10-3
HZY3-11100-415 E-3-10-1
HZY3-11200-010ZA E-3-1
HZY3-11300-C00 E-3-2
HZY3-11311-010ZA E-6-1
HZY3-11381-013 E-6-2
HZY3-11820-000 E-13-10-2
HZY3-11840-010 E-13-10-3
HZY3-11861-000 E-13-10-4
HZY3-11871-010 E-13-10-5
HZY3-11911-010 E-3-10-2
HZY3-11911-010 E-9-1
HZY3-12000-436ZA E-3-3
HZY3-12155-000 E-3-5
HZY3-12164-000 E-3-6
HZY3-12171-305 E-3-7
HZY3-12210-010ZA E-9-5
HZY3-12231-000 E-9-7
HZY3-12241-000 E-9-8
HZY3-12251-A01 E-9-9
HZY3-12310-405ZA E-1-1
HZY3-12312-000 E-1-2
HZY3-12320-405ZA E-1-3
HZY3-13010-A00 E-7-1
HZY3-13011-A00 E-7-1
HZY3-13101-A00 E-7-2
HZY3-13102-A00 E-7-2
HZY3-13331-A04 E-7-10
HZY3-13331-A04 E-7-10
HZY3-13391-000 E-7-13
HZY3-13391-000 E-7-13
HZY3-13392-000 E-7-14
HZY3-13392-000 E-7-14
HZY3-13398-003 E-7-15
HZY3-13398-003 E-7-15
HZY3-13621-C01 E-13-1
HZY3-13622-C00 E-13-2
HZY3-13811-A00 E-13-3
HZY3-14111-A00 E-9-10-1
HZY3-14211-A00 E-9-10-2
HZY3-14261-C00 E-13-4
HZY3-14270-C00 E-13-5
HZY3-14436-000 E-9-10-3
HZY3-14510-003 E-13-7
HZY3-14515-000 E-13-8
HZY3-14520-000 E-13-9
HZY3-14526-405ZA E-13-10
HZY3-14529-000 E-13-11
HZY3-14550-003 E-13-12
HZY3-14553-003 E-13-14
HZY3-14555-003 E-13-15
HZY3-14820-405 E-9-10
HZY3-15100-000ZA E-5-1
HZY3-15112-013 E-5-2
HZY3-15113-000 E-5-3
HZY3-15121-000 E-5-4
HZY3-15131-405 E-5-5
HZY3-15132-405 E-5-6
HZY3-15220-020 E-5-7
HZY3-15425-010 E-1-5
HZY3-15656-000 E-3-14
HZY3-15657-000 E-3-15
HZY3-15810-003ZA E-3-16
HZY3-15825-003 E-3-17
HZY3-16011-A01 E-18-1
HZY3-16013-000 E-18-2
HZY3-16015-000 E-18-3
HZY3-16016-003 E-15-1
HZY3-16024-000 E-18-5
HZY3-16026-000 E-18-6
HZY3-16031-010 E-18-8
HZY3-16036-003 E-18-9
HZY3-16041-000 E-18-10
HZY3-16042-000 E-18-11
HZY3-16061-000 E-18-12
HZY3-16072-000 E-18-13
HZY3-16073-000 E-18-14
HZY3-16074-000 E-18-15
HZY3-16075-000 E-18-16
HZY3-16076-000 E-18-17
HZY3-16077-000 E-18-18
HZY3-16078-000 E-18-19
HZY3-16082-000 E-18-21
HZY3-16083-000 E-18-22
HZY3-16087-000 E-18-25
HZY3-16088-000 E-18-26
HZY3-16176-000 E-15-2
HZY3-16193-A00 E-18-10-1
HZY3-16196-A00 E-18-10-2
HZY3-16197-000 E-18-10-3
HZY3-16198-A00 E-18-10-4
HZY3-16199-A00 E-18-10-5
HZY3-16203-000 E-1-7
HZY3-16400-A01 E-15-3
HZY3-16404-000 E-15-4
HZY3-16405-000 E-15-5
HZY3-16451-000 E-14-2
HZY3-16611-A00 E-14-3
HZY3-16620-A00 E-14-5
HZY3-16708-000 E-18-28
HZY3-16721-000 E-18-31
HZY3-16733-000 E-18-35
HZY3-16734-000 E-18-36
HZY3-16735-004 E-18-37
HZY3-16740-A01 E-14-6
HZY3-16751-000 E-18-10-6
HZY3-16752-000 E-18-38
HZY3-16752-A00 E-14-8
HZY3-16753-000 E-18-2-4
HZY3-16754-000 E-18-2-5
HZY3-16755-003 E-14-9
HZY3-16757-003 E-14-10
HZY3-16807-003 E-18-2-8
HZY3-16895-C00 E-1-12
HZY3-16904-003 E-18-2-15
HZY3-16911-010 E-18-39
HZY3-16913-000 E-18-40
HZY3-16915-010 E-18-2-19
HZY3-16918-003 E-18-2-21
HZY3-16919-003 E-18-2-23
HZY3-17051-A00 F-14-11
HZY3-17061-A00 E-14-13
HZY3-17105-004 E-14-10-1
HZY3-17108-000 E-14-16
HZY3-17109-004 E-14-10-2
HZY3-17110-003 E-14-10-3
HZY3-17113-003 E-14-10-4
HZY3-17130-003ZA E-14-10-5
HZY3-17138-004 E-14-10-6
HZY3-17203-000 E-15-6
HZY3-17207-300 E-15-7
HZY3-17372-000 E-15-10
HZY3-17373-010 E-15-11
HZY3-17374-010 E-15-12
HZY3-17721-000 E-18-10-11
HZY3-17723-A01 E-18-10-12
HZY3-17724-010 E-18-10-13
HZY3-17738-000 F-8-20-2
HZY3-17877-000 F-2-2
HZY3-17910-013 E-15-13
HZY3-17931-000 F-2-3
HZY3-18110-010ZA E-4-2
HZY3-18115-003 E-4-3
HZY3-18120-C01ZA E-4-4
HZY3-18125-003 E-4-5
HZY3-18141-A00ZA E-6-10-2
HZY3-18148-003 E-6-10-3
HZY3-18149-A01 E-6-10-4
HZY3-18151-A00ZA E-6-10-5
HZY3-18330-020 E-6-3
HZY3-18333-003 E-6-4
HZY3-18340-020 E-6-5
HZY3-19210-003 F-4-1
HZY3-19210-003 FOP-2-3
HZY3-19221-010 F-4-2
HZY3-19221-010 FOP-2-4
HZY3-19223-000 F-4-3
HZY3-19223-000 FOP-2-5
HZY3-19231-000 F-4-4
HZY3-19231-000 FOP-2-6
HZY3-19234-000 F-4-5
HZY3-19234-000 FOP-2-7
HZY3-19241-000 F-4-6
HZY3-19251-000 F-4-7
HZY3-19251-611 F-4-7
HZY3-19252-000 E-6-6
HZY3-19253-000 F-4-8
HZY3-19253-000 FOP-2-8
HZY3-19254-000 E-6-7
HZY3-19255-000 E-4-6
HZY3-19256-010 E-4-7
HZY3-19257-000 E-4-8
HZY3-19258-010 E-18-10-14
HZY3-19259-000 E-18-10-15
HZY3-19261-000 E-4-9
HZY3-19270-000 F-3-20-1
HZY3-19271-000 F-3-20-2
HZY3-19272-000 F-3-20-3
HZY3-19277-000ZA E-6-10-6
HZY3-19278-000 E-6-10-7
HZY3-19289-000 F-3-20-4
HZY3-19294-000ZB E-6-10-12
HZY3-19295-000 E-6-10-13
HZY3-19296-000 E-6-10-14
HZY3-19297-000 E-6-10-17
HZY3-19298-000ZB E-6-10-18
HZY3-19300-023 E-4-10
HZY3-19315-020ZA E-4-11
HZY3-19319-A00ZA E-4-12
HZY3-19361-000 E-6-10-19
HZY3-19362-000 E-6-10-20
HZY3-19366-000 E-6-10-21
HZY3-23170-030ZA E-6-10-22
HZY3-23172-003 E-6-10-23
HZY3-23173-010 E-6-10-24
HZY3-24101-A01 F-5-1
HZY3-24101-A01 F-5-1-1
HZY3-24102-000 F-5-2
HZY3-24102-000 F-5-1-2
HZY3-24103-000 F-5-3
HZY3-24103-000 F-5-1-3
HZY3-24113-A01 F-5-4
HZY3-24113-A01 F-5-1-4
HZY3-24122-A01 F-5-5
HZY3-24122-A01 F-5-1-5
HZY3-24123-000 F-5-6
HZY3-24123-000 F-5-1-6
HZY3-24124-310 F-5-7
HZY3-24124-310 F-5-1-7
HZY3-24221-000 F-2-6
HZY3-24310-C00 F-4-9
HZY3-24310-E00 F-4-9
HZY3-24318-000 F-4-10
HZY3-24610-A00 F-2-8
HZY3-24612-010 F-2-9

HZY3-24613-000. F-2-10
 HZY3-24617-000. F-2-11
 HZY3-24618-000. F-2-12
 HZY3-24619-000. F-2-13
 HZY3-24620-000. F-2-14
 HZY3-24623-000. F-2-15
 HZY3-24628-000. F-2-16
 HZY3-31110-000ZA. E-5-11
 HZY3-31116-000. E-5-12
 HZY3-31200-003. E-21-1
 HZY3-31207-003. E-21-3
 HZY3-31216-003. E-21-5
 HZY3-31235-003. E-21-10
 HZY3-31236-003. E-21-11
 HZY3-31240-003. E-21-12
 HZY3-31242-003. E-21-13
 HZY3-31246-003. E-21-15
 HZY3-31247-003. E-21-16
 HZY3-31249-003. E-21-17
 HZY3-31250-003. E-21-18
 HZY3-31630-003. E-19-14
 HZY3-31630-013. E-19-14
 HZY3-31631-003. E-19-15
 HZY3-31637-000. E-19-16
 HZY3-31638-003. E-13-16
 HZY3-31639-003. E-19-17
 HZY3-31694-003. E-19-18
 HZY3-31710-003. E-19-19
 HZY3-31750-003. E-19-20
 HZY3-32111-010. E-13-17
 HZY3-32112-000. E-14-17
 HZY3-32116-000. E-3-20
 HZY3-32128-000. E-14-10-8
 HZY3-32129-000. E-1-16
 HZY3-32193-C00 E-3-21
 HZY3-32370-H01 F-7-30-1
 HZY3-32371-H01 F-7-30-2
 HZY3-32411-003. F-7-11-4
 HZY3-32419-A00 F-8-10-1
 HZY3-32421-000. F-8-10-2
 HZY3-34750-E03. E-20-11-4
 HZY3-34754-C00 E-20-11-5
 HZY3-35476-010. F-2-19
 HZY3-35477-000. F-2-20
 HZY3-35490-004. E-3-23
 HZY3-35640-013. F-3-20-5
 HZY3-35645-000. F-3-20-6
 HZY3-35655-C01 E-4-13
 HZY3-35660-003. F-10-7
 HZY3-35673-003. E-3-24
 HZY3-35673-003. E-4-14
 HZY3-35695-003. E-13-10-6
 HZY3-35700-003. E-3-25
 HZY3-36123-013. F-11-7
 HZY3-36163-003. E-14-10-10
 HZY3-36362-000. E-18-43
 HZY3-36650-003. E-15-15
 HZY3-36620-000. E-18-44
 HZY3-40105-C01 F-8-10-3
 HZY3-40114-010. F-3-20-8
 HZY3-40119-003. F-8-10-4
 HZY3-40151-000ZC. F-3-20-9
 HZY3-40154-000ZA. F-8-10-5
 HZY3-40155-000. F-8-10-6
 HZY3-40157-000. F-8-10-7
 HZY3-40158-000. F-8-10-8
 HZY3-40159-000. F-8-10-9
 HZY3-40201-020ZC. F-3-20-10
 HZY3-40201-612ZC. F-3-20-10
 HZY3-40204-000. F-4-13
 HZY3-40210-610. F-3-20-12
 HZY3-40212-010ZC. F-3-20-13
 HZY3-40212-611ZC. F-3-20-13
 HZY3-40219-013. F-10-9
 HZY3-40219-013. F-11-11
 HZY3-40225-010. F-3-20-14
 HZY3-40225-010. F-3-20-14
 HZY3-40226-010. F-3-20-15
 HZY3-40226-010. F-3-20-15
 HZY3-41100-C03ZC. F-3-10-1
 HZY3-41100-C13ZC. F-3-10-1
 HZY3-41100-E03ZC. F-3-10-1
 HZY3-41101-C00ZC. F-3-4
 HZY3-41104-C01 F-3-7
 HZY3-41105-C01 F-3-8
 HZY3-41112-010. F-4-14
 HZY3-41112-611. F-4-14
 HZY3-41116-000. F-4-15
 HZY3-41130-C00 F-5-8
 HZY3-41130-E00. F-5-1-8
 HZY3-41150-E00. F-5-1-9
 HZY3-41151-C00 F-5-9
 HZY3-41161-A00 F-5-10
 HZY3-41161-B00. F-5-1-10
 HZY3-41179-A00 F-10-12
 HZY3-41201-C00ZC. F-5-11
 HZY3-41201-C00ZC. F-5-1-11
 HZY3-41202-000. F-5-12
 HZY3-41202-700. F-5-1-12
 HZY3-50100-A01 F-10-13
 HZY3-50100-A11 F-10-13
 HZY3-50109-000. F-10-14
 HZY3-50111-020. F-3-20-16
 HZY3-50151-000. F-10-15
 HZY3-50153-000. F-10-16
 HZY3-50155-000. F-3-20-17
 HZY3-50157-010. F-3-20-18
 HZY3-50161-000ZD. F-10-17
 HZY3-50161-610. F-10-17
 HZY3-50166-000. F-10-18
 HZY3-50168-000. F-10-19
 HZY3-50201-C01ZD. F-10-20
 HZY3-50201-C11ZC. F-10-20
 HZY3-50209-A00 F-10-21
 HZY3-50211-000. F-10-22
 HZY3-50214-000. F-10-23
 HZY3-50301-030ZC. F-10-24
 HZY3-50311-020ZC. F-10-25
 HZY3-50381-000. F-10-26
 HZY3-50388-U00 FOP-9-1
 HZY3-50388-U10 FOP-9-2
 HZY3-50522-000. F-10-27
 HZY3-50527-000. F-10-28
 HZY3-50529-000. F-10-29
 HZY3-56100-013. F-11-14
 HZY3-56120-013. F-11-51
 HZY3-56170-013. F-11-23
 HZY3-56516-A00 F-10-30
 HZY3-56518-A00 F-10-31
 HZY3-56519-A00 F-10-32
 HZY3-56532-000. F-11-26
 HZY3-58130-T00. FOP-10-1
 HZY3-58130-T10. FOP-10-1
 HZY3-58130-T20. FOP-10-1
 HZY3-58130-T30. FOP-10-1
 HZY3-58130-T40. FOP-10-1
 HZY3-58130-T50. FOP-10-1
 HZY3-58130-V01ZA. FOP-10-1
 HZY3-58130-V11ZA. FOP-10-1
 HZY3-58130-V21ZA. FOP-10-1
 HZY3-58130-V31ZA. FOP-10-1
 HZY3-58130-V41ZA. FOP-10-1
 HZY3-58130-V51ZA. FOP-10-1
 HZY3-58180-T00. FOP-10-1
 HZY3-58180-T10. FOP-10-1
 HZY3-58180-T20. FOP-10-1
 HZY3-58180-T30. FOP-10-1
 HZY3-58180-T40. FOP-10-1
 HZY3-60180-C01 F-8-10-12
 HZY3-60185-C01 F-8-10-13
 HZY3-63102-010. F-8-4
 HZY3-63107-000. F-8-5
 HZY3-63108-000. F-8-6
 HZY3-63111-310ZD. F-8-7
 HZY3-63143-H00 F-8-9
 HZY3-63201-000ZC. F-8-10-14
 HZY3-63205-000. F-8-10-15
 HZY3-63208-000. F-8-10-16
 HZY3-63212-000. F-8-10-17
 HZY3-63223-000. F-8-10-18
 HZY3-63224-000. F-8-10-19
 HZY3-63225-000. F-8-10-20
 HZY3-63226-000. F-8-10-21
 HZY3-63230-C00 F-8-10-22
 HZY3-63347-C00 F-3-20-19
 HZY3-63710-C00ZC. F-3-20-20
 HZY3-63710-C00ZC. F-3-20-20
 HZY3-63710-C01ZC. F-3-20-20
 HZY3-63710-C01ZC. F-3-20-20
 HZY3-63715-C01ZC. F-3-20-21
 HZY3-63715-C01ZC. F-3-20-21
 HZY3-63715-C02ZC. F-3-20-21
 HZY3-63715-C02ZC. F-3-20-21
 HZY3-63718-000. F-3-20-22
 HZY3-63722-010ZC. F-3-20-24
 HZY3-63728-000. F-3-20-25
 HZY3-63729-003. F-8-10-25
 HZY3-63731-A03ZC. F-3-20-26
 HZY3-63731-A12ZC. F-3-20-26
 HZY3-63736-A03ZC. F-3-20-27
 HZY3-63736-A12ZC. F-3-20-27
 HZY3-63751-C00 F-3-20-28
 HZY3-63751-C00 F-3-20-28
 HZY3-63751-C01 F-3-20-59
 HZY3-63751-C01 F-3-20-59
 HZY3-63756-C00 F-3-20-29
 HZY3-63756-C00 F-3-20-29
 HZY3-63756-C01 F-3-20-60
 HZY3-63756-C01 F-3-20-60
 HZY3-87121-R00. F-12-4
 HZY3-90001-000. E-3-26
 HZY3-90002-000. E-21-19
 HZY3-90003-000. E-21-20
 HZY3-90006-003. E-3-27
 HZY3-90007-000. E-13-10-7
 HZY3-90008-003. E-3-28
 HZY3-90009-003. E-3-29
 HZY3-90010-000. E-6-10-26
 HZY3-90011-000. E-6-10-27
 HZY3-90013-000. E-6-10-28
 HZY3-90015-000. E-6-10-29
 HZY3-90017-000. E-3-31
 HZY3-90017-000. E-18-48
 HZY3-90017-000. E-19-23
 HZY3-90017-000. F-2-23
 HZY3-90018-000. E-13-10-9
 HZY3-90021-000. E-3-33
 HZY3-90021-000. E-14-21
 HZY3-90021-000. E-18-49
 HZY3-90021-000. F-8-10-27
 HZY3-90023-000. E-14-10-14
 HZY3-90026-000. E-3-10-7
 HZY3-90026-000. E-9-14
 HZY3-90027-000. E-4-17
 HZY3-90028-000. E-3-34
 HZY3-90029-000. E-14-10-15
 HZY3-90030-000. E-3-35
 HZY3-90030-000. E-3-10-8
 HZY3-90030-000. E-6-10-30
 HZY3-90030-000. E-13-22
 HZY3-90030-000. E-15-19
 HZY3-90031-000. E-3-10-9
 HZY3-90031-000. E-6-10-31
 HZY3-90031-000. E-14-10-16
 HZY3-90034-000. E-4-18
 HZY3-90034-000. E-15-20
 HZY3-90035-000. E-9-15
 HZY3-90036-000. E-1-22
 HZY3-90037-000. E-15-21
 HZY3-90038-000. E-3-36
 HZY3-90039-000. E-13-24
 HZY3-90040-000. E-13-25
 HZY3-90041-000. E-3-10-10
 HZY3-90042-000. E-14-22
 HZY3-90043-000. E-14-23
 HZY3-90044-000. E-14-24
 HZY3-90045-000. E-6-10-32
 HZY3-90046-000. E-6-10-33
 HZY3-90047-000. E-6-10-34
 HZY3-90049-000. E-6-10-35
 HZY3-90050-000. E-18-50
 HZY3-90053-010. E-6-9
 HZY3-90054-000. E-18-57
 HZY3-90055-000. E-19-24
 HZY3-90056-000. E-18-2-27
 HZY3-90058-000. E-14-10-17
 HZY3-90059-000. E-6-10-36
 HZY3-90063-000. E-3-10-11
 HZY3-90082-003. E-3-10-12
 HZY3-90102-A00 F-3-20-31
 HZY3-90104-010. F-10-39
 HZY3-90105-010. F-3-20-32
 HZY3-90106-A00 F-8-10-31
 HZY3-90107-000. F-7-11-16
 HZY3-90109-010. F-8-11
 HZY3-90111-000. F-3-20-34
 HZY3-90113-C00 F-3-20-36
 HZY3-90116-000. FOP-2-9
 HZY3-90117-000. F-10-43
 HZY3-90120-000. F-3-14
 HZY3-90122-000. F-3-20-37
 HZY3-90123-000. F-5-13
 HZY3-90123-000. F-5-1-13
 HZY3-90124-000. F-3-15
 HZY3-90129-A00 F-3-20-38
 HZY3-90132-000. F-3-20-39
 HZY3-90134-000. F-3-20-40
 HZY3-90204-000. E-3-10-15
 HZY3-90205-000. E-14-25
 HZY3-90205-000. E-14-10-19
 HZY3-90302-000. F-3-20-42
 HZY3-90303-000. F-4-19
 HZY3-90304-000. F-7-11-18
 HZY3-90405-000. F-7-11-19
 HZY3-90406-000. E-1-23
 HZY3-90501-A00 F-10-54
 HZY3-90503-610. F-3-20-43
 HZY3-90504-A00 F-10-57
 HZY3-90506-000. F-5-15
 HZY3-90506-000. F-5-1-15
 HZY3-90507-000. F-8-14
 HZY3-90508-000. E-15-22
 HZY3-90508-000. F-2-32
 HZY3-90509-000. F-10-58
 HZY3-90510-000. F-10-59
 HZY3-90511-000. F-3-20-44
 HZY3-90512-000. F-5-17
 HZY3-90512-000. F-5-1-17
 HZY3-90528-000. F-5-18
 HZY3-90528-000. F-5-1-18
 HZY3-90529-000. F-5-18
 HZY3-90529-000. F-5-1-18
 HZY3-90530-000. F-5-18
 HZY3-90530-000. F-5-1-18
 HZY3-90531-000. F-5-18
 HZY3-90531-000. F-5-1-18
 HZY3-90548-000. F-5-19
 HZY3-90549-000. F-5-19
 HZY3-90550-000. F-5-19
 HZY3-90551-000. F-5-19
 HZY3-90552-000. F-5-19
 HZY3-90553-000. F-5-19
 HZY3-90554-000. F-5-19
 HZY3-90555-000. F-5-19
 HZY3-90556-000. F-5-19
 HZY3-90557-000. F-5-19
 HZY3-90558-000. F-5-19
 HZY3-90559-000. F-5-19
 HZY3-90560-000. F-5-19
 HZY3-90601-030. E-4-21
 HZY3-90601-030. E-18-10-19
 HZY3-90602-020. E-1-25
 HZY3-90603-020. E-4-22
 HZY3-90604-020. E-4-23
 HZY3-90652-000. F-3-20-49
 HZY3-90653-003. F-7-4
 HZY3-90741-000. E-13-27
 HZY3-90751-000. F-2-35
 HZY3-90752-003. F-4-22
 HZY3-90752-003. FOP-2-11
 HZY3-91001-003. E-6-10-43
 HZY3-91051-003. F-5-23
 HZY3-91051-003. F-5-1-23
 HZY3-91053-003. F-4-24
 HZY3-91055-003. F-5-24
 HZY3-91055-003. F-5-1-24
 HZY3-91056-711. F-5-1-25
 HZY3-91057-003. F-5-25
 HZY3-91057-003. F-5-1-26
 HZY3-91151-000. F-5-26
 HZY3-91151-000. F-5-1-27
 HZY3-91152-003. F-2-36

HZY3-91212-003.	E-3-40	HZZ3-87703-R01	FOP-3-2-24	HZZ5-90507-D01	FOP-3-7-62
HZY3-91251-C01	F-3-27	HZZ3-87703-R81	FOP-3-2-21	HZZ5-90508-D01	FOP-3-7-63
HZY3-91251-C01	F-4-26	HZZ3-91252-003.	F-3-28	HZZ5-90509-D01	FOP-3-7-64
HZY3-91254-003.	F-3-29	HZZ3-91252-003.	F-5-27	HZZ5-90651-D01	FOP-3-7-65
HZY3-91254-003.	F-4-27	HZZ3-91252-003.	F-5-1-28	HZZ5-91151-D01	FOP-3-7-66
HZY3-91255-003.	F-2-38	HZZ5-06325-600.	FOP-4-2	HZZ5-91152-D01	FOP-3-7-67
HZY3-91301-003.	E-4-24	HZZ5-06325-700.	FOP-4-2	HZZ5-91153-D01	FOP-3-7-68
HZY3-91303-000.	E-21-23	HZZ5-06325-800.	FOP-4-2	HZZ5-91154-D01	FOP-3-7-69
HZY3-91304-000.	E-6-10-46	HZZ5-16901-003.	E-18-2-14	HZZ5-91156-D01	FOP-3-7-70
HZY3-91305-003.	E-6-10-47	HZZ5-16906-003.	E-18-2-16	HZZ5-91157-D01	FOP-3-7-71
HZY3-91306-003.	E-6-10-48	HZZ5-16915-000.	E-18-2-20	HZZ5-91501-000.	F-7-11-23
HZY3-91351-C00	F-3-33	HZZ5-16918-003.	E-18-2-22		
HZY3-91351-C00	F-5-28	HZZ5-16919-003.	E-18-2-24		
HZY3-91351-C00	F-5-1-29	HZZ5-24810-D01	FOP-3-7-2		
HZY3-91356-003.	F-4-29	HZZ5-24811-D01	FOP-3-7-3		
HZY3-91356-003.	FOP-2-12	HZZ5-24812-D01	FOP-3-7-4		
HZY3-91358-003.	F-4-30	HZZ5-24813-D01	FOP-3-7-5		
HZY3-91358-003.	FOP-2-13	HZZ5-24814-D01	FOP-3-7-6		
HZY3-91359-003.	F-4-31	HZZ5-24815-D01	FOP-3-7-7		
HZY3-91359-003.	FOP-2-14	HZZ5-24816-D01	FOP-3-7-8		
HZY3-91401-A00	E-1-30	HZZ5-24817-D01	FOP-3-7-9		
HZY3-91402-020.	E-1-31	HZZ5-24818-D01	FOP-3-7-10		
HZY3-91403-000.	E-1-32	HZZ5-24819-D01	FOP-3-7-11		
HZY3-91404-000.	E-6-10-49	HZZ5-24821-D01	FOP-3-7-12		
HZY3-91405-000.	E-6-10-50	HZZ5-24822-D01	FOP-3-7-13		
HZY3-91451-000.	F-3-20-52	HZZ5-24823-D01	FOP-3-7-14		
HZY3-91508-000.	E-13-10-10	HZZ5-24824-D01	FOP-3-7-15		
HZY3-91551-000.	F-4-32	HZZ5-24826-D01	FOP-3-7-16		
HZY3-91551-000.	FOP-2-15	HZZ5-24827-D01	FOP-3-7-17		
HZY3-91552-000.	F-3-20-53	HZZ5-24828-D01	FOP-3-7-18		
HZY3-91556-000.	F-8-15	HZZ5-24828-D01	FOP-3-7-74		
HZY3-91560-000.	F-10-71	HZZ5-24829-D01	FOP-3-7-19		
HZY3-91651-003.	F-3-20-55	HZZ5-24831-D01	FOP-3-7-20		
HZY6-16450-003.	E-14-1	HZZ5-24832-D01	FOP-3-7-21		
HZY6-16718-013.	E-18-30	HZZ5-24833-D01	FOP-3-7-22		
HZY6-16723-003.	E-18-32	HZZ5-24845-D01	FOP-3-7-23		
HZY6-19269-000.	E-18-10-16	HZZ5-24850-D01	FOP-3-7-24		
HZY6-24320-000.	F-4-11	HZZ5-24855-D01	FOP-3-7-25		
HZY6-24320-610.	F-4-11	HZZ5-24875-D01	FOP-3-7-26		
HZY6-32414-640.	F-7-11-6	HZZ5-24876-D01	FOP-3-7-27		
HZY6-36135-003.	E-18-10-17	HZZ5-24878-D01	FOP-3-7-28		
HZY6-38235-004.	F-7-30-4	HZZ5-24883-D01	FOP-3-7-29		
HZY6-39794-003.	F-7-30-6	HZZ5-32185-600.	FOP-4-5		
HZY6-90103-000.	F-3-13	HZZ5-32185-700.	FOP-4-5		
HZY6-90103-000.	F-10-38	HZZ5-32185-800.	FOP-4-5		
HZY6-90135-004.	F-7-30-8	HZZ5-32530-000.	FOP-3-6-34		
HZY6-91553-000.	F-3-20-53	HZZ5-32530-D01	FOP-3-7-30		
HZY9-17315-000.	E-15-9	HZZ5-32545-000.	FOP-4-9		
HZY9-30419-003.	E-20-4	HZZ5-32545-000.	FOP-4-1-4		
HZY9-30419-003.	E-20-11-2	HZZ5-32580-600.	FOP-4-10		
HZY9-30419-003.	F-7-11-1	HZZ5-32580-700.	FOP-4-10		
HZY9-32103-000.	F-7-11-2	HZZ5-32580-800.	FOP-4-10		
HZY9-38553-003.	E-20-11-6	HZZ5-32580-D01	FOP-4-10		
HZY9-56115-003.	F-11-50	HZZ5-32580-D11	FOP-4-10		
HZY9-90017-000.	E-15-18	HZZ5-32580-D21	FOP-4-10		
HZY9-90105-000.	E-20-3	HZZ5-35370-D02	FOP-3-7-34		
HZZ0-90101-000.	F-3-12	HZZ5-35701-D01	FOP-3-7-36		
HZZ3-06240-R30	FOP-3-1	HZZ5-37210-013.	FOP-3-6-44		
HZZ3-06240-R40	FOP-3-4-1	HZZ5-37210-712.	FOP-4-1-11		
HZZ3-06240-R60	FOP-3-2-1	HZZ5-37210-762.	FOP-4-19		
HZZ3-06323-R20	FOP-4-1	HZZ5-37210-D01	FOP-3-7-39		
HZZ3-06323-R30	FOP-4-1-1	HZZ5-38414-003.	FOP-4-22		
HZZ3-06328-763.	FOP-12-1	HZZ5-38414-003.	FOP-4-1-14		
HZZ3-24800-P12.	FOP-3-7-1	HZZ5-87701-D00	FOP-3-7-42		
HZZ3-24800-R00	FOP-3-6-1	HZZ5-87702-A00	FOP-3-7-43		
HZZ3-24820-R11	FOP-3-13	HZZ5-87702-A00	FOP-3-7-72		
HZZ3-24820-R21	FOP-3-2-14	HZZ5-87703-P00.	FOP-3-7-44		
HZZ3-24830-R41	FOP-3-4-11	HZZ5-87704-D01	FOP-3-7-45		
HZZ3-32101-000.	E-20-11-3	HZZ5-90101-D01	FOP-3-7-46		
HZZ3-32127-000.	F-7-2	HZZ5-90102-D01	FOP-3-7-47		
HZZ3-32341-R31	FOP-4-6	HZZ5-90103-D01	FOP-3-7-48		
HZZ3-32346-R21	FOP-4-7	HZZ5-90104-D01	FOP-3-7-49		
HZZ3-32346-R31	FOP-4-1-3	HZZ5-90106-D01	FOP-3-7-50		
HZZ3-32347-R01	FOP-4-8	HZZ5-90107-D01	FOP-3-7-51		
HZZ3-35100-R11	FOP-3-6-38	HZZ5-90108-D01	FOP-3-7-52		
HZZ3-35100-R11	FOP-3-7-33	HZZ5-90109-D01	FOP-3-7-53		
HZZ3-35100-R11	FOP-4-14	HZZ5-90301-D01	FOP-3-7-54		
HZZ3-35100-R11	FOP-4-1-7	HZZ5-90302-D01	FOP-3-7-56		
HZZ3-35645-A41	FOP-3-7-35	HZZ5-90501-D01	FOP-3-7-57		
HZZ3-37205-R01	FOP-4-18	HZZ5-90502-D01	FOP-3-7-58		
HZZ3-87301-R00	F-12-19	HZZ5-90503-D01	FOP-3-7-59		
HZZ3-87701-R00	FOP-3-6-47	HZZ5-90504-D01	FOP-3-7-60		
HZZ3-87701-R40	FOP-3-4-18	HZZ5-90506-D01	FOP-3-7-61		

Note

Note



TOHATSU CORPORATION

**Address : 5-4,3-chome,Azusawa,Itabashi-ku,
TOKYO,174-0051 JAPAN**

Phone : TOKYO (03)3966-3117

FAX : TOKYO (03)3966-0090

Website : www.tohatsu.co.jp

**2017
PARTS CATALOG**

**BFT 200A
BFT 225A**